

# Interior Ventilation Filter Catalog Filtro de Ventilación Interior

**Many Consumers Do Not Know Their Vehicle Has A Filter!  
We need to educate the consumer, so they breathe easier!!!!**

**All ATP premium vent filters feature activated carbon and a static charge to remove particles and annoying odors. In many applications, the original equipment filter removes particles only.**

#### ***The NEW Filter That Needs To Be Serviced***

Many vehicles are now utilizing a ventilation filter for the passenger compartment. **Nearly 1 in 5 vehicles on the road are equipped** with a vent filter. Popular vehicles such as Altima and Sonata, Chevrolet and GMC Pick-ups, Impala, Monte Carlo, Honda Civic, etc. This trend will continue as new vehicles are brought out and current vehicles are redesigned.

#### ***Replace Every 12 Months or 12,000 Miles***

Much like a furnace filter, the ventilation filter cleans the incoming air during the heater, air conditioner and vent modes. Dust, pollen, mold spores and other particles will clog up the filter. A clogged filter will reduce airflow into the passenger compartment. If not replaced, eventually the heater and evaporator (air conditioner) cores could be damaged by corrosion.

**The ATP PREMIUM filter is a  
SUPERIOR replacement!**

**atp**  
*professional auto parts®*

1300 Pratt Boulevard • Elk Grove Village, Illinois 60007  
Toll Free: 800/528-6695 • Transnet: 79122 • [www.atp-inc.com](http://www.atp-inc.com)

# Now you have a choice!

For your customers that demand a **high quality equal to original equipment or better** interior ventilation filter, provide them with the **ATP Premium replacement**.

These filters feature **activated carbon** to remove odors and a static charge to remove fine particles, dust, pollen and mold spores.

For value conscious customers, ATP now has available the **ATP Value Line** of vent filters. These filters remove particles, dust, pollen and mold spores (white filter media). The ATP Value Line filters do not have the activated carbon feature.

In some cases, the ATP Value Line filter is equivalent to the original filter in the vehicle.

The chart below shows the interchange between part numbers for the **Popular ATP Value Line and the ATP Premium Replacement**. A sales ranking is also featured for your convenience.

<b>INTERIOR VENTILATION FILTER SALES RANKING</b>			
<b>PREMIUM LINE PART NO.</b>	<b>VALUE LINE PART NO.</b>	<b>SALES RANKING</b>	<b>APPLICATION</b>
RA-3	CF-44	1	2000-09 TOYOTA/LEXUS CARS, SMALL SUVS
GA-3	CF-24	2	2000-11 BUICK, CADILLAC, OLDSMOBILE, PONTIAC CARS
FA-5	CF-15	3	1999-07 FORD MINI VANS
GA-1	CF-22	4	1997-11 BUICK, CHEVROLET, OLDSMOBILE, PONTIAC CARS
GA-4	CF-25	5	1999-02 GM/GMC TRUCKS/SUVS
HA-5	CF-40	6	2003-11 ACURA/HONDA CARS
RA-5	CF-46	7	2002-08 TOYOTA CARS
RA-7	CF-48	8	1999-07 TOYOTA/LEXUS CARS SMALL SUVS
HA-4	CF-39	9	2001-11 ACURA CARS/HONDA CARS, SMALL SUVS
HA-1	CF-36	10	1998-03 ACURA/HONDA CARS
GA-7	CF-28	11	1997-08 GM MINI VANS, SMALL SUVS
HA-3	CF-38	12	1999-08 ACURA/HONDA SUVS
			<b>65% OF SALES</b>
FA-1	CF-11	13	1996-07 FORD/MERCURY CARS
RA-8	CF-49	14	2000-11 TOYOTA CARS, SUVS, MAZDA, SUBARU
RA-9	CF-8	15	2002-08 NISSAN CARS, SUVS
TA-1	CF-70	16	2001-08 CHRYSLER/DODGE MINI VANS, PACIFICA
			<b>75% OF SALES</b>
RA-6	CF-47	17	2000-10 TOYOTA RAV4, SCION
VA-1	CF-72	18	1993-10 VOLKSWAGEN CARS
RA-10	CF-50	19	2001-08 LEXUS CARS
FA-8	CF-18	20	2000-05 FORD/LINCOLN CARS
HA-2	CF-37	21	1997-06 HONDA CARS/SMALL SUVS
GA-12	CF-33	22	2003-11 GM CARS/SMALL SUVS
HA-6	CF-41	23	2005-11 ACURA/HONDA CARS/TRUCKS
GA-9	CF-30	24	2002-08 GM SUVS
			<b>85% OF SALES</b>
TA-2	CF-71	25	2005-08 CHRYSLER/DODGE CARS
RA-14	CF-54	26	2000-04 NISSAN/INFINITI CARS
GA-8	CF-29	27	2000-05 SATURN L-SERIES
FA-6	CF-16	28	2000-11 FORD FOCUS, TRANSIT
RA-11	CF-51	29	1995-00 LEXUS LS400
RA-25	CF-65	30	1998-04 NISSAN/INFINITI CARS, SUVS
FA-11	CF-21	31	2001-07 FORD/MAZDA SMALL SUVS
			<b>90% OF SALES</b>
<b>31 PART NUMBERS = 90% OF SALES</b>			

# Now you have a choice!

For your customers that demand a **high quality equal to original equipment or better** interior ventilation filter, provide them with the **ATP Premium replacement**.

These filters feature **activated carbon** to remove odors and a static charge to remove fine particles, dust, pollen and mold spores.

For value conscious customers, ATP now has available the **ATP Value Line** of vent filters. These filters remove particles, dust, pollen and mold spores (white filter media). The ATP Value Line filters do not have the activated carbon feature.

In some cases, the ATP Value Line filter is equivalent to the original filter in the vehicle.

The chart below shows the interchange between part numbers for the **Popular ATP Value Line and the ATP Premium Replacement**. A sales ranking is also featured for your convenience.

<b>INTERIOR VENTILATION FILTER SALES RANKING</b>			
<b>PREMIUM LINE PART NO.</b>	<b>VALUE LINE PART NO.</b>	<b>SALES RANKING</b>	<b>APPLICATION</b>
RA-3	CF-44	1	2000-09 TOYOTA/LEXUS CARS, SMALL SUVS
GA-3	CF-24	2	2000-11 BUICK, CADILLAC, OLDSMOBILE, PONTIAC CARS
FA-5	CF-15	3	1999-07 FORD MINI VANS
GA-1	CF-22	4	1997-11 BUICK, CHEVROLET, OLDSMOBILE, PONTIAC CARS
GA-4	CF-25	5	1999-02 GM/GMC TRUCKS/SUVS
HA-5	CF-40	6	2003-11 ACURA/HONDA CARS
RA-5	CF-46	7	2002-08 TOYOTA CARS
RA-7	CF-48	8	1999-07 TOYOTA/LEXUS CARS SMALL SUVS
HA-4	CF-39	9	2001-11 ACURA CARS/HONDA CARS, SMALL SUVS
HA-1	CF-36	10	1998-03 ACURA/HONDA CARS
GA-7	CF-28	11	1997-08 GM MINI VANS, SMALL SUVS
HA-3	CF-38	12	1999-08 ACURA/HONDA SUVS
			<b>65% OF SALES</b>
FA-1	CF-11	13	1996-07 FORD/MERCURY CARS
RA-8	CF-49	14	2000-11 TOYOTA CARS, SUVS, MAZDA, SUBARU
RA-9	CF-8	15	2002-08 NISSAN CARS, SUVS
TA-1	CF-70	16	2001-08 CHRYSLER/DODGE MINI VANS, PACIFICA
			<b>75% OF SALES</b>
RA-6	CF-47	17	2000-10 TOYOTA RAV4, SCION
VA-1	CF-72	18	1993-10 VOLKSWAGEN CARS
RA-10	CF-50	19	2001-08 LEXUS CARS
FA-8	CF-18	20	2000-05 FORD/LINCOLN CARS
HA-2	CF-37	21	1997-06 HONDA CARS/SMALL SUVS
GA-12	CF-33	22	2003-11 GM CARS/SMALL SUVS
HA-6	CF-41	23	2005-11 ACURA/HONDA CARS/TRUCKS
GA-9	CF-30	24	2002-08 GM SUVS
			<b>85% OF SALES</b>
TA-2	CF-71	25	2005-08 CHRYSLER/DODGE CARS
RA-14	CF-54	26	2000-04 NISSAN/INFINITI CARS
GA-8	CF-29	27	2000-05 SATURN L-SERIES
FA-6	CF-16	28	2000-11 FORD FOCUS, TRANSIT
RA-11	CF-51	29	1995-00 LEXUS LS400
RA-25	CF-65	30	1998-04 NISSAN/INFINITI CARS, SUVS
FA-11	CF-21	31	2001-07 FORD/MAZDA SMALL SUVS
			<b>90% OF SALES</b>
<b>31 PART NUMBERS = 90% OF SALES</b>			

# Now you have a choice!

For your customers that demand a **high quality equal to original equipment or better** interior ventilation filter, provide them with the **ATP Premium replacement**.

These filters feature **activated carbon** to remove odors and a static charge to remove fine particles, dust, pollen and mold spores.

For value conscious customers, ATP now has available the **ATP Value Line** of vent filters. These filters remove particles, dust, pollen and mold spores (white filter media). The ATP Value Line filters do not have the activated carbon feature.

In some cases, the ATP Value Line filter is equivalent to the original filter in the vehicle.

The chart below shows the interchange between part numbers for the **Popular ATP Value Line and the ATP Premium Replacement**. A sales ranking is also featured for your convenience.

<b>INTERIOR VENTILATION FILTER SALES RANKING</b>			
<b>PREMIUM LINE PART NO.</b>	<b>VALUE LINE PART NO.</b>	<b>SALES RANKING</b>	<b>APPLICATION</b>
RA-3	CF-44	1	2000-09 TOYOTA/LEXUS CARS, SMALL SUVS
GA-3	CF-24	2	2000-11 BUICK, CADILLAC, OLDSMOBILE, PONTIAC CARS
FA-5	CF-15	3	1999-07 FORD MINI VANS
GA-1	CF-22	4	1997-11 BUICK, CHEVROLET, OLDSMOBILE, PONTIAC CARS
GA-4	CF-25	5	1999-02 GM/GMC TRUCKS/SUVS
HA-5	CF-40	6	2003-11 ACURA/HONDA CARS
RA-5	CF-46	7	2002-08 TOYOTA CARS
RA-7	CF-48	8	1999-07 TOYOTA/LEXUS CARS SMALL SUVS
HA-4	CF-39	9	2001-11 ACURA CARS/HONDA CARS, SMALL SUVS
HA-1	CF-36	10	1998-03 ACURA/HONDA CARS
GA-7	CF-28	11	1997-08 GM MINI VANS, SMALL SUVS
HA-3	CF-38	12	1999-08 ACURA/HONDA SUVS
			<b>65% OF SALES</b>
FA-1	CF-11	13	1996-07 FORD/MERCURY CARS
RA-8	CF-49	14	2000-11 TOYOTA CARS, SUVS, MAZDA, SUBARU
RA-9	CF-8	15	2002-08 NISSAN CARS, SUVS
TA-1	CF-70	16	2001-08 CHRYSLER/DODGE MINI VANS, PACIFICA
			<b>75% OF SALES</b>
RA-6	CF-47	17	2000-10 TOYOTA RAV4, SCION
VA-1	CF-72	18	1993-10 VOLKSWAGEN CARS
RA-10	CF-50	19	2001-08 LEXUS CARS
FA-8	CF-18	20	2000-05 FORD/LINCOLN CARS
HA-2	CF-37	21	1997-06 HONDA CARS/SMALL SUVS
GA-12	CF-33	22	2003-11 GM CARS/SMALL SUVS
HA-6	CF-41	23	2005-11 ACURA/HONDA CARS/TRUCKS
GA-9	CF-30	24	2002-08 GM SUVS
			<b>85% OF SALES</b>
TA-2	CF-71	25	2005-08 CHRYSLER/DODGE CARS
RA-14	CF-54	26	2000-04 NISSAN/INFINITI CARS
GA-8	CF-29	27	2000-05 SATURN L-SERIES
FA-6	CF-16	28	2000-11 FORD FOCUS, TRANSIT
RA-11	CF-51	29	1995-00 LEXUS LS400
RA-25	CF-65	30	1998-04 NISSAN/INFINITI CARS, SUVS
FA-11	CF-21	31	2001-07 FORD/MAZDA SMALL SUVS
			<b>90% OF SALES</b>
<b>31 PART NUMBERS = 90% OF SALES</b>			

---

# Interior Ventilation Filter Catalog

## Table Of Contents

Page

<b>AC Evaporator Case Treatment AT-211 Clean 'N Coat® . . . . .</b>	<b>.2</b>
<b>and A-502 Start Up Package</b>	
<b>Application Section . . . . .</b>	<b>.3-25</b>
<b>Installation Section . . . . .</b>	<b>.26-226</b>
<b>OEM to ATP Interchange . . . . .</b>	<b>.227-228</b>
<b>Numerical Listing . . . . .</b>	<b>.229-232</b>
<b>Cross Reference Premium to Value Line . . . . .</b>	<b>.233</b>
<b>New Part Numbers in this Catalog . . . . .</b>	<b>.234-235</b>
<b>2 “Forgotten” Filter Services A-241 . . . . .</b>	<b>.239</b>
<b>Domestic and Import Vent Filter . . . . .</b>	<b>.240</b>
<b>Merchandising Assortment A-511</b>	
<b>Display Package A-507 . . . . .</b>	<b>.IBC</b>
<b>Import Vent Filter Merchandising Assortment A-512 . . . . .</b>	<b>.IBC</b>
<b>Display Package A-507 . . . . .</b>	<b>.IBC</b>
<b>Clip, Cowl, and Screw Convenience Assortment A-700 . . . . .</b>	<b>.IBC</b>

# What's That SMELL?



Under normal operating conditions, moisture builds up on the evaporator cooling coil. Most of this moisture drains out of the system. Some moisture can remain on

the evaporator cooling coil and mix with pollutants and microscopic contaminants.

Soon, everytime the air conditioner is turned on out comes that “dirty socks” odor.

ATP-Inc. **Part No. AT-211**

**CLEAN 'N COAT®** is sprayed into the evaporator case to clean the cooling coil and then coat it.

This coating repels water for **up to 1 year**. No moisture buildup — **NO SMELL!**

**No. AT-211** is not a perfume or masking agent — it attacks the problem.



*It could be the air conditioner.*



**AT-211 CLEAN 'N COAT®**

This service can be performed in 30-45 minutes.

Suggested retail for product and application is \$69.95.

Your customers can be breathing fresher air soon!

***If you are currently servicing interior ventilation (cabin air) filters and/or air conditioning systems this is the perfect add-on service!***

**Start Up Package, No. A-502**

Contains:

- (2) 6 fl. oz. cans of **CLEAN 'N COAT®** (Part No. AT-211)
- (1) 18" x 26" Full Color Poster
- (50) Full Color Consumer Handouts with holder



aPoster alerts consumer that there is a solution to that awful smell!



Handouts explain how the odor develops and how it can be eliminated.

(For Additional Handouts, Order Part No. A-503)

# APPLICATION GUIDE: INTERIOR VENTILATION FILTERS & RELATED PARTS

MODEL	YEAR	ATP PREMIUM LINE PART NUMBER	ATP VALUE LINE PART NUMBER	INSTALLATION NOTES AND HARDWARE	INSTALL TIME	PREMIUM LINE LIST PRICE	INSTRUCT PAGE
<b>ACURA</b>							
Legend	1992-95	HA-12	CF-145		15 Min	\$ 32.39	72
MDX	2007-11	HA-6●	CF-41		20 Min	\$ 36.06	66
	2001-06	HA-3●	CF-38		30-45 Min	\$ 52.78	63
RDX	2007-11	HA-5●	CF-40		30-45 Min	\$ 35.74	65
RL	2005-10	HA-6●	CF-41		20 Min	\$ 36.06	66
	1996-04	HA-8●	CF-79*		30 Min	\$ 35.35	68
RSX	2002-06	HA-4*●	CF-39*		20 Min	\$ 57.60	64
TL	2009-11	HA-6●	CF-41		20 Min	\$ 36.06	66
	2004-08	HA-5●	CF-40		30-45 Min	\$ 35.74	65
	1999-03	HA-1*●	CF-36*		30-45 Min	\$ 38.70	62
TSX	2004-11	HA-5●	CF-40		30-45 Min	\$ 35.74	65
<b>AUDI</b>							
A3	2006-11	VA-8	CF-108		20 Min	\$ 33.75	210
A4	2010-11	VA-12*	CF-201*		15 Min	\$ 35.87	213
	2009	RA-53	CF-95	For vehicles with vent filter under dash	5 Min	\$ 55.55	130
	2009	VA-12*	CF-201*	Sedan; For vehicles with vent filter under hood	15 Min	\$ 35.87	213
	2002-08	RA-53	CF-95		5 Min	\$ 55.55	130
	1998-01	VA-2	CF-73		20 Min	\$ 51.66	204
A4 Quattro	2010-11	VA-12*	CF-201*		15 Min	\$ 35.87	213
	2009	RA-53	CF-95	Sedan; For vehicles with vent filter under dash	5 Min	\$ 55.55	130
	2009	VA-12*	CF-201*	Sedan; For vehicles with vent filter under hood	15 Min	\$ 35.87	213
	2009	RA-53	CF-95	Wagon; For vehicles with vent filter under dash	5 Min	\$ 55.55	130
	2009	VA-12*	CF-201*	Wagon; For vehicles with vent filter under hood	15 Min	\$ 35.87	213
	2002-08	RA-53	CF-95		5 Min	\$ 55.55	130
	1998-01	VA-2	CF-73		20 Min	\$ 51.66	204
A5	2008-11	VA-12*	CF-201*		15 Min	\$ 35.87	213
A5 Quattro	2008-11	VA-12*	CF-201*		15 Min	\$ 35.87	213
A6	2005-11	VA-10*	CF-234*		10 Min	\$ 39.14	211
	2001-04	RA-53	CF-95		5 Min	\$ 55.55	130
	1998-00	VA-3	CF-74		20 Min	\$ 37.09	205-206
	1996-97	----	CF-195		20 Min	----	224
A6 Quattro	2005-11	VA-10*	CF-234*		10 Min	\$ 39.14	211
	2001-04	RA-53	CF-95		5 Min	\$ 55.55	130
	1998-00	VA-3	CF-74		20 Min	\$ 37.09	205-206
	1996-97	----	CF-195		20 Min	----	224
A8	1997-99	VA-5*●	CF-96*		10 Min	\$ 47.61	208
A8 Quattro	2005-10	VA-13	CF-210		15 Min	\$ 153.42	214
	1997-03	VA-5*●	CF-96*		10 Min	\$ 47.61	208
Allroad Quattro	2001-05	RA-53	CF-95		5 Min	\$ 55.55	130
Q5	2009-11	VA-12*	CF-201*		15 Min	\$ 35.87	213
Q7	2007-11	VA-6	CF-103		20 Min	\$ 26.00	209
R8	2008-11	VA-10*	CF-234*		10 Min	\$ 39.14	211
RS4	2007-08	RA-53	CF-95		5 Min	\$ 55.55	130

\* Contains (2) filters. Two required per vehicle    \*\* Contains (3) filters. Three required per vehicle    ● ATP Activated Carbon Filter Upgrades OE Pollen Filter

# APPLICATION GUIDE: INTERIOR VENTILATION FILTERS & RELATED PARTS

MODEL	YEAR	ATP PREMIUM LINE PART NUMBER	ATP VALUE LINE PART NUMBER	INSTALLATION NOTES AND HARDWARE	INSTALL TIME	PREMIUM LINE LIST PRICE	INSTRUCT PAGE
<b>AUDI</b>							
RS6	2003-04	RA-53	CF-95		5 Min	\$ 55.55	130
S4	2010-11	VA-12*	CF-201*		15 Min	\$ 35.87	213
	2004-09	RA-53	CF-95		5 Min	\$ 55.55	130
	2000-02	VA-2	CF-73		20 Min	\$ 51.66	204
S5	2010-11	VA-12*	CF-201*		15 Min	\$ 35.87	213
S6	2007-11	VA-10*	CF-234*		10 Min	\$ 39.14	211
	2002-03	RA-53	CF-95		5 Min	\$ 55.55	130
S8	2007-10	VA-13	CF-210		15 Min	\$ 153.42	214
TT	2008-09	VA-8	CF-108		20 Min	\$ 33.75	210
	2000-06	VA-1	CF-72		30 Min	\$ 35.74	202-203
TT Quattro	2008-11	VA-8	CF-108		20 Min	\$ 33.75	210
	2000-06	VA-1	CF-72		30 Min	\$ 35.74	202-203
<b>BMW</b>							
128i	2008-11	RA-92	CF-167		10 Min	\$ 49.11	163
135i	2008-11	RA-92	CF-167		10 Min	\$ 49.11	163
318i	1992-98	RA-24●	CF-64		45 Min	\$ 36.06	100
318is	1992-95	RA-24●	CF-64		45 Min	\$ 36.06	100
318ti	1995-98	RA-24●	CF-64		45 Min	\$ 36.06	100
320i	2001-05	RA-26	CF-66		15 Min	\$ 43.27	103
323Ci	2000	RA-26	CF-66		15 Min	\$ 43.27	103
323i	2006	RA-92	CF-167		10 Min	\$ 49.11	163
	1999-00	RA-26	CF-66		15 Min	\$ 43.27	103
	1998	RA-24●	CF-64		45 Min	\$ 36.06	100
323is	1999	RA-26	CF-66		15 Min	\$ 43.27	103
	1998	RA-24●	CF-64		45 Min	\$ 36.06	100
325Ci	2006	RA-92	CF-167		10 Min	\$ 49.11	163
	2001-05	RA-26	CF-66		15 Min	\$ 43.27	103
325i	2006	RA-92	CF-167		10 Min	\$ 49.11	163
	2001-05	RA-26	CF-66		15 Min	\$ 43.27	103
	1992-95	RA-24●	CF-64		45 Min	\$ 36.06	100
325is	1992-95	RA-24●	CF-64		45 Min	\$ 36.06	100
325xi	2006	RA-92	CF-167		10 Min	\$ 49.11	163
	2001-05	RA-26	CF-66		15 Min	\$ 43.27	103
328Ci	2000	RA-26	CF-66		15 Min	\$ 43.27	103
328i	2007-11	RA-92	CF-167		10 Min	\$ 49.11	163
	2000	RA-26	CF-66		15 Min	\$ 43.27	103
	1996-98	RA-24●	CF-64		45 Min	\$ 36.06	100
328is	1996-98	RA-24●	CF-64		45 Min	\$ 36.06	100
328i xDrive	2009-11	RA-92	CF-167		10 Min	\$ 49.11	163
328xi	2007-08	RA-92	CF-167		10 Min	\$ 49.11	163
330Ci	2006	RA-92	CF-167		10 Min	\$ 49.11	163
	2001-05	RA-26	CF-66		15 Min	\$ 43.27	103

\* Contains (2) filters. Two required per vehicle

\*\* Contains (3) filters. Three required per vehicle

● ATP Activated Carbon Filter Upgrades OE Pollen Filter

# APPLICATION GUIDE: INTERIOR VENTILATION FILTERS & RELATED PARTS

MODEL	YEAR	ATP PREMIUM LINE PART NUMBER	ATP VALUE LINE PART NUMBER	INSTALLATION NOTES AND HARDWARE	INSTALL TIME	PREMIUM LINE LIST PRICE	INSTRUCT PAGE
<b>BMW</b>							
330i	2006	RA-92	CF-167		10 Min	\$ 49.11	163
	2001-05	RA-26	CF-66		15 Min	\$ 43.27	103
330xi	2006	RA-92	CF-167		10 Min	\$ 49.11	163
	2001-05	RA-26	CF-66		15 Min	\$ 43.27	103
335d	2009-11	RA-92	CF-167		10 Min	\$ 49.11	163
335i	2007-11	RA-92	CF-167		10 Min	\$ 49.11	163
335is	2011	RA-92	CF-167		10 Min	\$ 49.11	163
335i xDrive	2009-11	RA-92	CF-167		10 Min	\$ 49.11	163
335xi	2007-08	RA-92	CF-167		10 Min	\$ 49.11	163
525i	2006-07	RA-91	CF-166		5 Min	\$ 50.73	162
	2001-05	RA-60*	CF-105*		10 Min	\$ 71.18	136
	1992-95	RA-44●	CF-87		30 Min	\$ 32.32	121
525iT	1993	RA-44●	CF-87		30 Min	\$ 32.32	121
525xi	2006-07	RA-91	CF-166		5 Min	\$ 50.73	162
528i	2008-10	RA-91	CF-166		5 Min	\$ 50.73	162
	1997-00	RA-60*	CF-105*		10 Min	\$ 71.18	136
528i xDrive	2009-10	RA-91	CF-166		5 Min	\$ 50.73	162
528xi	2008	RA-91	CF-166		5 Min	\$ 50.73	162
530i	2006-07	RA-91	CF-166		5 Min	\$ 50.73	162
	2001-05	RA-60*	CF-105*		10 Min	\$ 71.18	136
	1994-95	RA-44●	CF-87		30 Min	\$ 32.32	121
530xi	2006-07	RA-91	CF-166		5 Min	\$ 50.73	162
535i	2008-10	RA-91	CF-166		5 Min	\$ 50.73	162
	1992-93	RA-44●	CF-87		30 Min	\$ 32.32	121
535i xDrive	2009-10	RA-91	CF-166		5 Min	\$ 50.73	162
535xi	2008	RA-91	CF-166		5 Min	\$ 50.73	162
540i	1997-03	RA-60*	CF-105*		10 Min	\$ 71.18	136
	1994-95	RA-44●	CF-87		30 Min	\$ 32.32	121
545i	2004-05	RA-60*	CF-105*		10 Min	\$ 71.18	136
550i	2010-11	RA-133*	CF-227*	Front	10 Min	\$ 69.40	189
	2010-11	RA-135*	CF-229*	Rear	15 Min	\$ 55.52	191
	2006-09	RA-91	CF-166		5 Min	\$ 50.73	162
550i GT	2010-11	RA-133*	CF-227*	Front	10 Min	\$ 69.40	189
	2010-11	RA-135*	CF-229*	Rear	15 Min	\$ 55.52	191
550i GT xDrive	2010-11	RA-133*	CF-227*	Front	10 Min	\$ 69.40	189
	2010-11	RA-135*	CF-229*	Rear	15 Min	\$ 55.52	191
645Ci	2004-05	RA-91	CF-166		5 Min	\$ 50.73	162
650Ci	2006-09	RA-91	CF-166		5 Min	\$ 50.73	162
650i	2006-10	RA-91	CF-166		5 Min	\$ 50.73	162
735i	1992	RA-44●	CF-87		30 Min	\$ 32.32	121
735iL	1992	RA-44●	CF-87		30 Min	\$ 32.32	121

\* Contains (2) filters. Two required per vehicle    \*\* Contains (3) filters. Three required per vehicle    ● ATP Activated Carbon Filter Upgrades OE Pollen Filter

# APPLICATION GUIDE: INTERIOR VENTILATION FILTERS & RELATED PARTS

MODEL	YEAR	ATP PREMIUM LINE PART NUMBER	ATP VALUE LINE PART NUMBER	INSTALLATION NOTES AND HARDWARE	INSTALL TIME	PREMIUM LINE LIST PRICE	INSTRUCT PAGE
<b>BMW</b>							
740i	2011	RA-133*	CF-227*	Front	10 Min	\$ 69.40	189
	1997-01	RA-46	CF-89		5 Min	\$ 104.99	123
	1995	RA-46	CF-89		5 Min	\$ 104.99	123
	1993-94	RA-44●	CF-87		30 Min	\$ 32.32	121
740iL	1996-01	RA-46	CF-89		5 Min	\$ 104.99	123
	1993-94	RA-44●	CF-87		30 Min	\$ 32.32	121
740Li	2011	RA-135	CF-229	Rear	15 Min	\$ 55.52	191
745i	2002-04	RA-45	CF-88		10 Min	\$ 92.99	122
750i	2009-11	RA-133*	CF-227*	Front	10 Min	\$ 69.40	189
	2009-11	RA-135	CF-229	Rear	15 Min	\$ 55.52	191
750i xDrive	2010-11	RA-133*	CF-227*	Front	10 Min	\$ 69.40	189
	2010-11	RA-135	CF-229	Rear	15 Min	\$ 55.52	191
750iL	1995-01	RA-46	CF-89		5 Min	\$ 104.99	123
	1992-94	RA-44●	CF-87		30 Min	\$ 32.32	121
750Li	2009-11	RA-133*	CF-227*	Front	10 Min	\$ 69.40	189
	2009-11	RA-135	CF-229	Rear	15 Min	\$ 55.52	191
750Li xDrive	2010-11	RA-133*	CF-227*	Front	10 Min	\$ 69.40	189
	2010-11	RA-135	CF-229	Rear	15 Min	\$ 55.52	191
760Li	2009-11	RA-133*	CF-227*	Front	10 Min	\$ 69.40	189
	2009-11	RA-135	CF-229	Rear	15 Min	\$ 55.52	191
Alpina B7	2011	RA-133*	CF-227*	Front	10 Min	\$ 69.40	189
	2011	RA-135	CF-229	Rear	15 Min	\$ 55.52	191
Alpina B7 xDrive	2011	RA-133*	CF-227*	Front	10 Min	\$ 69.40	189
	2011	RA-135	CF-229	Rear	15 Min	\$ 55.52	191
M3	2008-11	RA-82	CF-233		10 Min	\$ 88.96	155
	2001-06	RA-26	CF-66		15 Min	\$ 43.27	103
	1995-99	RA-24●	CF-64		45 Min	\$ 36.06	100
M5	2006-10	RA-91	CF-166		5 Min	\$ 50.73	162
	2000-03	RA-60*	CF-105*		10 Min	\$ 71.18	136
M6	2006-10	RA-91	CF-166		5 Min	\$ 50.73	162
X3	2004-10	RA-26	CF-66		15 Min	\$ 43.27	103
X5	2010-11	RA-134	CF-228	For vehicles with cabin filter in blower case	15 Min	\$ 150.36	190
	2010-11	RA-81	CF-235	For vehicles with under hood cabin filter	15 Min	\$ 128.13	154
	2007-09	RA-81	CF-235		15 Min	\$ 128.13	154
	2000-06	RA-12	CF-52		10 Min	\$ 43.27	87
X6	2011	RA-81	CF-235	For vehicles with under hood cabin filter	15 Min	\$ 128.13	154
	2011	RA-134	CF-228	For vehicles with cabin filter in blower case	15 Min	\$ 150.36	190
	2010	RA-134	CF-228		15 Min	\$ 150.36	190
	2008-09	RA-81	CF-235		15 Min	\$ 128.13	154
Z3	2002	RA-26	CF-66	Coupe	15 Min	\$ 43.27	103
Z4	2003-11	RA-47	CF-90		20 Min	\$ 42.00	124
Z8	2000-03	----	CF-186		5 Min	----	220

\* Contains (2) filters. Two required per vehicle

\*\* Contains (3) filters. Three required per vehicle

● ATP Activated Carbon Filter Upgrades OE Pollen Filter

# APPLICATION GUIDE: INTERIOR VENTILATION FILTERS & RELATED PARTS

MODEL	YEAR	ATP PREMIUM LINE PART NUMBER	ATP VALUE LINE PART NUMBER	INSTALLATION NOTES AND HARDWARE	INSTALL TIME	PREMIUM LINE LIST PRICE	INSTRUCT PAGE
<b>BUICK</b>							
Allure	2005-08	GA-1●	CF-22	GX-3, GX-4	20 Min	\$ 28.00	43
Century	1997-05	GA-1●	CF-22	GX-3, GX-4	20 Min	\$ 28.00	43
LaCrosse	2005-09	GA-1●	CF-22	GX-3, GX-4	20 Min	\$ 28.00	43
LeSabre	2000-05	GA-3	CF-24		25 Min	\$ 38.02	44
Lucerne	2006-11	GA-3	CF-24		25 Min	\$ 38.02	44
Park Avenue	1997-05	GA-5**	CF-26**		30-45 Min	\$ 60.54	46
Regal	1997-04	GA-1●	CF-22	GX-3, GX-4	20 Min	\$ 28.00	43
Rendezvous	2002-07	GA-7*	CF-28*		20 Min	\$ 62.79	48
Terraza	2005-07	GA-7*	CF-28*		20 Min	\$ 62.79	48
<b>CADILLAC</b>							
Catera	1997-01	GA-13	CF-34		20 Min	\$ 38.12	55
CTS	2003-11	GA-11	CF-32	Standard filter - particulate; dealer option - carbon	30 Min	\$ 54.46	52
DeVille	2000-05	GA-3	CF-24		25 Min	\$ 38.02	44
DTS	2006-11	GA-3	CF-24		25 Min	\$ 38.02	44
Escalade	2002	GA-4*	CF-25*		25 Min	\$ 30.98	45
	1999-00	GA-4*	CF-25*		25 Min	\$ 30.98	45
Seville	1998-04	GA-5**	CF-26**		30-45 Min	\$ 60.54	46
SRX	2005-08	GA-11	CF-32	Standard filter - particulate; dealer option - carbon	30 Min	\$ 54.46	52
STS	2005-08	GA-11	CF-32	Standard filter - particulate; dealer option - carbon	30 Min	\$ 54.46	52
XLR	2004-09	GA-15	CF-77		10 Min	\$ 42.42	57
<b>CASE</b>							
Crawlers		----	CF-116	Air Filter Panel, filter size 14.125" x 7.125" x 2.58"	----	----	----
		----	CF-181	Canister Style (radial), filter size 13.96" x 6.13" OD x 2.50" ID	----	----	----
Loaders		----	CF-116	Air Filter Panel, filter size 14.125" x 7.125" x 2.58"	----	----	----
		----	CF-181	Canister Style (radial), filter size 13.96" x 6.13" OD x 2.50" ID	----	----	----
Tractors		----	CF-116	Air Filter Panel, filter size 14.125" x 7.125" x 2.58"	----	----	----
		----	CF-181	Canister Style (radial), filter size 13.96" x 6.13" OD x 2.50" ID	----	----	----
<b>CATERPILLAR</b>							
Articulated Rear Dump		----	CF-149	Air Filter Panel, filter size 15.94" x 7.87" x 2.56"	----	----	----
Compactors		----	CF-214	Air Filter Panel, filter size 26.875" x 6" x 2.5"	----	----	----
Crawlers		----	CF-183	Air Filter Panel, filter size 9.72" x 6.50" x 1.39"	----	----	----
		----	CF-113	Air Filter Panel, filter size 11.85" x 10.75" x 2.30"	----	----	----
		----	CF-205	Air Filter Panel, filter size 20.875" x 5.3125" x 2.3125"	----	----	----
Dozers		----	CF-113	Air Filter Panel, filter size 11.85" x 10.75" x 2.30"	----	----	----
		----	CF-214	Air Filter Panel, filter size 26.875" x 6" x 2.5"	----	----	----
Excavators		----	CF-178	Air Filter Panel, filter size 23.63" x 4.84" x 0.92"	----	----	----
Graders		----	CF-115	Air Filter Panel, filter size 14.9" x 4.06" x 2.87"	----	----	----
		----	CF-150	Canister Style (radial), filter size 11.75" x 6.50" OD x 3.70" ID	----	----	----

\* Contains (2) filters. Two required per vehicle    \*\* Contains (3) filters. Three required per vehicle    ● ATP Activated Carbon Filter Upgrades OE Pollen Filter

# APPLICATION GUIDE: INTERIOR VENTILATION FILTERS & RELATED PARTS

MODEL	YEAR	ATP PREMIUM LINE PART NUMBER	ATP VALUE LINE PART NUMBER	INSTALLATION NOTES AND HARDWARE	INSTALL TIME	PREMIUM LINE LIST PRICE	INSTRUCT PAGE
<b>CATERPILLAR</b>							
Loaders		----	CF-113	Air Filter Panel, filter size 11.85" x 10.75" x 2.30"	----	----	----
		----	CF-182	Air Filter Panel, filter size 16.85" x 11.73" x 2.56"	----	----	----
		----	CF-150	Canister Style (radial), filter size 11.75" x 6.50" OD x 3.70" ID	----	----	----
		----	CF-147	Filter Strip, filter size 15.25" x 3.70"	----	----	----
		----	CF-214	Air Filter Panel, filter size 26.875" x 6" x 2.5"	----	----	----
Off Road Equipment		----	CF-113	Air Filter Panel, filter size 11.85" x 10.75" x 2.30"	----	----	----
		----	CF-149	Air Filter Panel, filter size 15.94" x 7.87" x 2.56"	----	----	----
		----	CF-150	Canister Style (radial), filter size 11.75" x 6.50" OD x 3.70" ID	----	----	----
		----	CF-147	Filter Strip, filter size 15.25" x 3.70"	----	----	----
Paving Equipment		----	CF-113	Air Filter Panel, filter size 11.85" x 10.75" x 2.30"	----	----	----
		----	CF-182	Air Filter Panel, filter size 16.85" x 11.73" x 2.56"	----	----	----
Scrapers		----	CF-149	Air Filter Panel, filter size 15.94" x 7.87" x 2.56"	----	----	----
Skidders		----	CF-183	Air Filter Panel, filter size 9.72" x 6.50" x 1.39"	----	----	----
Tractors		----	CF-149	Air Filter Panel, filter size 15.94" x 7.87" x 2.56"	----	----	----
<b>CHEVROLET</b>							
Avalanche 1500	2002	GA-4*	CF-25*		25 Min	\$ 30.98	45
Avalanche 2500	2002	GA-4*	CF-25*		25 Min	\$ 30.98	45
Aveo	2004-11	GA-14●	CF-35		30 Min	\$ 31.94	56
Aveo5	2007-11	GA-14●	CF-35		30 Min	\$ 31.94	56
Caprice	2011	GA-17●	CF-203		25 Min	\$ 103.31	59
Cobalt	2005-08	GA-12●	CF-33		20-25 Min	\$ 24.93	53-54
Corvette	2005-11	GA-15	CF-77		10 Min	\$ 42.42	57
Equinox	2010-11	GA-16●	CF-132		10 Min	\$ 44.48	58
	2005-09	GA-9●	CF-30		25 Min	\$ 45.04	50
HHR	2006-11	GA-12●	CF-33		20-25 Min	\$ 24.93	53-54
Impala	2000-11	GA-1●	CF-22	GX-3, GX-4	20 Min	\$ 28.00	43
Monte Carlo	2000-07	GA-1●	CF-22	GX-3, GX-4	20 Min	\$ 28.00	43
Silverado 1500	1999-02	GA-4*	CF-25*		25 Min	\$ 30.98	45
Silverado 1500 HD	2001-02	GA-4*	CF-25*		25 Min	\$ 30.98	45
Silverado 2500	1999-02	GA-4*	CF-25*		25 Min	\$ 30.98	45
Silverado 2500 HD	2001-02	GA-4*	CF-25*		25 Min	\$ 30.98	45
Silverado 3500	2001-02	GA-4*	CF-25*		25 Min	\$ 30.98	45
Suburban 1500	2000-02	GA-4*	CF-25*		25 Min	\$ 30.98	45
Suburban 2500	2000-02	GA-4*	CF-25*		25 Min	\$ 30.98	45
Tahoe	2000-02	GA-4*	CF-25*		25 Min	\$ 30.98	45
Tracker	1999-04	GA-6*●	CF-27*		30 Min	\$ 51.59	47
Uplander	2005-08	GA-7*	CF-28*		20 Min	\$ 62.79	48
Venture	1997-05	GA-7*	CF-28*		20 Min	\$ 62.79	48
<b>CHRYSLER</b>							
200	2011	TA-4	CF-75		15 Min	\$ 14.00	196
300	2005-08	TA-2	CF-71		25 Min	\$ 30.91	194

\* Contains (2) filters. Two required per vehicle

\*\* Contains (3) filters. Three required per vehicle

● ATP Activated Carbon Filter Upgrades OE Pollen Filter

# APPLICATION GUIDE: INTERIOR VENTILATION FILTERS & RELATED PARTS

MODEL	YEAR	ATP PREMIUM LINE PART NUMBER	ATP VALUE LINE PART NUMBER	INSTALLATION NOTES AND HARDWARE	INSTALL TIME	PREMIUM LINE LIST PRICE	INSTRUCT PAGE
<b>CHRYSLER</b>							
Crossfire	2004-07	RA-27	CF-67		30 Min	\$ 36.06	104-105
Pacifica	2004-08	TA-1	CF-70		30 Min	\$ 55.29	193
PT Cruiser	2002-09	TA-9	CF-143		15 Min	\$ 42.71	201
Town & Country Van	2009-11	TA-5●	CF-125		5 Min	\$ 15.01	197
	2001-08	TA-1	CF-70		30 Min	\$ 55.29	193
Voyager	2001-03	TA-1	CF-70		30 Min	\$ 55.29	193
<b>DODGE</b>							
Avenger	2008-11	TA-4	CF-75		15 Min	\$ 14.00	196
Caliber	2007-11	TA-4	CF-75		15 Min	\$ 14.00	196
Caravan	2001-07	TA-1	CF-70		30 Min	\$ 55.29	193
Charger	2006-08	TA-2	CF-71		25 Min	\$ 30.91	194
Grand Caravan	2009-11	TA-5●	CF-125		5 Min	\$ 15.01	197
	2001-08	TA-1	CF-70		30 Min	\$ 55.29	193
Magnum	2005-08	TA-2	CF-71		25 Min	\$ 30.91	194
Nitro	2007-09	TA-7●	CF-171		5 Min	\$ 31.14	199
Sprinter 2500	2007-09	TA-6	CF-130		5 Min	\$ 53.39	198
	2003-06	TA-3	CF-1		10 Min	\$ 31.00	195
Sprinter 3500	2007-09	TA-6	CF-130		5 Min	\$ 53.39	198
	2003-06	TA-3	CF-1		10 Min	\$ 31.00	195
<b>FORD</b>							
Contour	1995-00	FA-3●	CF-13	FX-500, FX-502, FX-505	25 Min	\$ 45.66	29
Edge	2007-11	FA-14●	CF-126		10 Min	\$ 17.79	39
Escape	2008-11	FA-15*●	CF-174*	Underhood	15 Min	\$ 30.26	40
	2005-10	FA-12●	CF-5	Hybrid; HV Battery Cooling Filter	10 Min	\$ 29.01	37
	2001-07	FA-11●	CF-21	Underhood	30 Min	\$ 32.97	36
Expedition	1997-02	FA-10●	CF-20	Can only be installed if equipped w/Ford retrofit kit F65Z-18D477-AA	20 Min	\$ 41.21	35
F-150	1997-04	FA-10●	CF-20	Can only be installed if equipped w/Ford retrofit kit F65Z-18D477-AA	20 Min	\$ 41.21	35
F-150 Heritage	2004	FA-10●	CF-20	Can only be installed if equipped w/Ford retrofit kit F65Z-18D477-AA	20 Min	\$ 41.21	35
F-250	1997-99	FA-10●	CF-20	Can only be installed if equipped w/Ford retrofit kit F65Z-18D477-AA	20 Min	\$ 41.21	35
F-250 Super Duty	1999-04	FA-10●	CF-20	Can only be installed if equipped w/Ford retrofit kit F65Z-18D477-AA	20 Min	\$ 41.21	35
F-350	1997	FA-10●	CF-20	Can only be installed if equipped w/Ford retrofit kit F65Z-18D477-AA	20 Min	\$ 41.21	35
F-350 Super Duty	1999-04	FA-10●	CF-20	Can only be installed if equipped w/Ford retrofit kit F65Z-18D477-AA	20 Min	\$ 41.21	35
F-450 Super Duty	1999-04	FA-10●	CF-20	Can only be installed if equipped w/Ford retrofit kit F65Z-18D477-AA	20 Min	\$ 41.21	35
F-550 Super Duty	1999-04	FA-10●	CF-20	Can only be installed if equipped w/Ford retrofit kit F65Z-18D477-AA	20 Min	\$ 41.21	35
Flex	2009-11	FA-18●	CF-221		10 Min	\$ 34.00	42
Focus	2000-04	FA-6●	CF-16		25 Min	\$ 31.05	31

\* Contains (2) filters. Two required per vehicle    \*\* Contains (3) filters. Three required per vehicle    ● ATP Activated Carbon Filter Upgrades OE Pollen Filter

# APPLICATION GUIDE: INTERIOR VENTILATION FILTERS & RELATED PARTS

MODEL	YEAR	ATP PREMIUM LINE PART NUMBER	ATP VALUE LINE PART NUMBER	INSTALLATION NOTES AND HARDWARE	INSTALL TIME	PREMIUM LINE LIST PRICE	INSTRUCT PAGE
<b>FORD</b>							
Freestar	2004-07	FA-5●	CF-15		20 Min	\$ 28.22	30
Fusion	2010-11	FA-17●	CF-217		10 Min	\$ 15.00	41
Mustang	2005-11	FA-9●	CF-19		20 Min	\$ 25.76	34
Ranger	1998-03	----	CF-198		----	----	----
Taurus	2010-11	FA-18●	CF-221		10 Min	\$ 34.00	42
	1996-07	FA-1●	CF-11	FX-501, FX-503, FX-504, FX-506	25 Min	\$ 38.90	26-27
Thunderbird	2002-05	FA-8●	CF-18	FX-508	25 Min	\$ 44.91	33
Transit Connect	2010-11	FA-6●	CF-16		25 Min	\$ 31.05	31
Windstar	1999-03	FA-5●	CF-15		20 Min	\$ 28.22	30
<b>FREIGHTLINER</b>							
Sprinter 2500	2007-08	TA-6	CF-130		5 Min	\$ 53.39	198
	2003-06	TA-3	CF-1		10 Min	\$ 31.00	195
Sprinter 3500	2007-08	TA-6	CF-130		5 Min	\$ 53.39	198
	2003-06	TA-3	CF-1		10 Min	\$ 31.00	195
<b>FREIGHTLINER HD</b>							
M2 Trucks	2003-06	WA-23	CF-177	Air Filter Panel, filter size 8.375" x 8.625" x 1"	----	\$ 36.90	----
Semi Trucks		----	CF-202	Air Filter Panel, filter size 10.625" x 10.625" x 3/4"	5 Min	----	----
		WA-7	CF-206	Air Panel Filter, filter size 10.625" x 10.625" x 1.75"	10 Min	\$ 41.64	----
<b>GMC</b>							
Sierra 1500	1999-02	GA-4*	CF-25*		25 Min	\$ 30.98	45
Sierra 1500 HD	2001-02	GA-4*	CF-25*		25 Min	\$ 30.98	45
Sierra 2500	1999-02	GA-4*	CF-25*		25 Min	\$ 30.98	45
Sierra 2500 HD	2001-02	GA-4*	CF-25*		25 Min	\$ 30.98	45
Sierra 3500	2001-02	GA-4*	CF-25*		25 Min	\$ 30.98	45
Sierra C3	2001	GA-4*	CF-25*		25 Min	\$ 30.98	45
Sierra Denali	2002	GA-4*	CF-25*		25 Min	\$ 30.98	45
Terrain	2010-11	GA-16●	CF-132		10 Min	\$ 44.48	58
Yukon	2000-02	GA-4*	CF-25*		25 Min	\$ 30.98	45
Yukon Denali	2001-02	GA-4*	CF-25*		25 Min	\$ 30.98	45
Yukon Denali XL	2001-02	GA-4*	CF-25*		25 Min	\$ 30.98	45
Yukon XL 1500	2000-02	GA-4*	CF-25*		25 Min	\$ 30.98	45
Yukon XL 2500	2000-02	GA-4*	CF-25*		25 Min	\$ 30.98	45
<b>HITACHI</b>							
Dump Trucks		----	CF-204	Air Filter Panel, filter size 10.5" x 7.375" x 1.75"	----	----	----
Loaders		----	CF-152	Air Filter Panel, filter size 18" x 10" x 2.94"	----	----	----
<b>HONDA</b>							
Accord	2003-11	HA-5●	CF-40		30-45 Min	\$ 35.74	65
	1998-02	HA-1*●	CF-36*		30-45 Min	\$ 38.70	62
Accord Crosstour	2010-11	HA-5●	CF-40		30-45 Min	\$ 35.74	65
Civic	2006-11	HA-5●	CF-40		30-45 Min	\$ 35.74	65
	2001-05	HA-4*●	CF-39*		20 Min	\$ 57.60	64

\* Contains (2) filters. Two required per vehicle

\*\* Contains (3) filters. Three required per vehicle

● ATP Activated Carbon Filter Upgrades OE Pollen Filter

# APPLICATION GUIDE: INTERIOR VENTILATION FILTERS & RELATED PARTS

MODEL	YEAR	ATP PREMIUM LINE PART NUMBER	ATP VALUE LINE PART NUMBER	INSTALLATION NOTES AND HARDWARE	INSTALL TIME	PREMIUM LINE LIST PRICE	INSTRUCT PAGE
<b>HONDA</b>							
CR-V	2007-11	HA-5●	CF-40		30-45 Min	\$ 35.74	65
	2002-06	HA-4*●	CF-39*		20 Min	\$ 57.60	64
	1997-01	HA-2●	CF-37		30-45 Min	\$ 34.55	62
CR-Z	2011	HA-11●	CF-209		15 Min	\$ 55.52	71
Element	2003-11	HA-4*●	CF-39*		20 Min	\$ 57.60	64
Fit	2009-11	HA-11●	CF-209		15 Min	\$ 55.52	71
	2007-08	HA-9●	CF-99		15 Min	\$ 26.69	69
Insight	2010-11	HA-11●	CF-209		15 Min	\$ 55.52	71
	2000-06	HA-2●	CF-37		30-45 Min	\$ 34.55	62
Odyssey	2005-11	HA-6●	CF-41	May require purchase of filter compartment cover	20 Min	\$ 36.06	66
	1999-04	HA-3●	CF-38	A portion of the dash must be cut	30-45 Min	\$ 52.78	63
Pilot	2009-11	HA-6●	CF-41		20 Min	\$ 36.06	66
	2003-08	HA-3●	CF-38		30-45 Min	\$ 52.78	63
Prelude	2000-01	HA-10●	CF-111		20 Min	\$ 31.14	70
Ridgeline	2006-11	HA-6●	CF-41		20 Min	\$ 36.06	66
S2000	2000-09	HA-7●	CF-78		15 Min	\$ 39.99	67
<b>HYUNDAI</b>							
Accent	2011	RA-97●	CF-173		5 Min	\$ 30.26	168
	2007-10	RA-56	CF-100		5 Min	\$ 24.91	132
	2003-06	RA-43*●	CF-86*		5 Min	\$ 28.28	120
	2001-02	RA-108●	CF-137	Dealer Installed Option	15 Min	\$ 28.47	178
Azera	2009-11	RA-127●	CF-220		10 Min	\$ 37.01	183
	2006-08	RA-59●	CF-104		15 Min	\$ 35.07	135
Elantra	2010-11	RA-97●	CF-173	Except Touring	5 Min	\$ 30.26	168
	2007-09	RA-97●	CF-173		5 Min	\$ 30.26	168
	2001-06	RA-57	CF-101		20 Min	\$ 24.00	133
Entourage	2007-08	RA-57	CF-101		20 Min	\$ 24.00	133
Equus	2011	RA-102●	CF-212		10 Min	\$ 47.69	173
Genesis Coupe	2010-11	RA-58	CF-102		10 Min	\$ 32.04	134
Genesis Sedan	2009-11	RA-102●	CF-212		10 Min	\$ 47.69	173
Santa Fe	2009	RA-127●	CF-220		10 Min	\$ 37.01	183
	2007-08	RA-59●	CF-104		15 Min	\$ 35.07	135
	2004-06	RA-23*●	CF-63*		20 Min	\$ 39.15	99
	2003	RA-23*●	CF-63*	From 3/29/2003	20 Min	\$ 39.15	99
Sonata	2010-11	GA-16●	CF-132		10 Min	\$ 44.48	58
	2006-09	RA-59●	CF-104		15 Min	\$ 35.07	135
	2004-05	RA-23*●	CF-63*		20 Min	\$ 39.15	99
	2003	RA-41	CF-6	Before 3/29/2003	10 Min	\$ 35.02	118
	2003	RA-23*●	CF-63*	From 3/29/2003	20 Min	\$ 39.15	99
	2001-02	RA-41	CF-6		10 Min	\$ 35.02	118
	1999-00	----	CF-136		10-15 Min	----	216
Tiburon	2003-08	RA-57	CF-101		20 Min	\$ 24.00	133

\* Contains (2) filters. Two required per vehicle    \*\* Contains (3) filters. Three required per vehicle    ● ATP Activated Carbon Filter Upgrades OE Pollen Filter

# APPLICATION GUIDE: INTERIOR VENTILATION FILTERS & RELATED PARTS

MODEL	YEAR	ATP PREMIUM LINE PART NUMBER	ATP VALUE LINE PART NUMBER	INSTALLATION NOTES AND HARDWARE	INSTALL TIME	PREMIUM LINE LIST PRICE	INSTRUCT PAGE
<b>HYUNDAI</b>							
Tucson	2007-11	RA-58	CF-102		10 Min	\$ 32.04	134
	2005-06	RA-58	CF-102	w/filter size 7-15/16 x 8-7/8 inches	10 Min	\$ 32.04	134
	2005-06	RA-42●	CF-9	w/filter size 9-5/16 x 7-3/8 inches	5 Min	\$ 16.00	119
Veracruz	2007-09	RA-113	CF-144		5 Min	\$ 43.95	180
XG350	2004-05	RA-23*●	CF-63*		20 Min	\$ 39.15	99
	2003	RA-41	CF-6	Before 3/29/2003	10 Min	\$ 35.02	118
	2003	RA-23*●	CF-63*	From 3/29/2003	20 Min	\$ 39.15	99
	2002	RA-41	CF-6		10 Min	\$ 35.02	118
<b>IHC</b>							
Buses		WA-5	CF-117	Air Filter Panel, filter size 12.75" x 7.25" x 0.9375"	---	\$ 43.95	---
Semi Trucks		WA-5	CF-117	Air Filter Panel, filter size 12.75" x 7.25" x 0.9375"	---	\$ 43.95	---
<b>INFINITI</b>							
EX35	2008-11	RA-64●	CF-112		15 Min	\$ 31.14	141
FX35	2009-11	RA-64●	CF-112		15 Min	\$ 31.14	141
FX50	2009-11	RA-106	CF-216		25 Min	\$ 29.00	177
G20	1999-02	RA-25*●	CF-65*		30-40 Min	\$ 37.09	101-102
G25	2011	RA-64●	CF-112		15 Min	\$ 31.14	141
G35	2007-08	RA-64●	CF-112		15 Min	\$ 31.14	141
G37	2011	RA-64●	CF-112	Except Technology Package	15 Min	\$ 31.14	141
	2011	RA-106	CF-216	With Technology Package	25 Min	\$ 29.00	177
	2008-10	RA-64●	CF-112		15 Min	\$ 31.14	141
I30	2000-01	RA-14*	CF-54*		40 Min	\$ 61.81	89
I35	2002-04	RA-14*	CF-54*		40 Min	\$ 61.81	89
M35	2006-10	RA-64●	CF-112		15 Min	\$ 31.14	141
M45	2006-10	RA-64●	CF-112		15 Min	\$ 31.14	141
Q45	1998-01	---	CF-199		15 Min	---	226
QX4	1998-03	RA-25*●	CF-65*		30-40 Min	\$ 37.09	101-102
QX56	2011	RA-106	CF-216		25 Min	\$ 29.00	177
	2004-10	RA-18*●	CF-58*		30 Min	\$ 48.42	93
<b>JAGUAR</b>							
S-Type	2003-07	RA-76	CF-140		20 Min	\$ 35.58	149
Super V8	2009	RA-78	---		10 Min	\$ 39.14	151
Vanden Plas	2009	RA-78	---		10 Min	\$ 39.14	151
X-Type	2002-08	---	CF-138		15 Min	---	217
XF	2010-11	RA-80	---		10 Min	\$ 49.83	153
XFR	2010-11	RA-80	---		10 Min	\$ 49.83	153
XJ Car	2010-11	RA-80	---		10 Min	\$ 49.83	153
XJ8	2005-09	RA-78	CF-231		10 Min	\$ 39.14	151
XJR	2005-09	RA-78	CF-231		10 Min	\$ 39.14	151
XK	2007-11	RA-79	CF-232		10 Min	\$ 128.13	152
XK8	2003-06	---	CF-159		15 Min	---	219
XKR	2007-11	RA-79	CF-232		10 Min	\$ 128.13	152

\* Contains (2) filters. Two required per vehicle

\*\* Contains (3) filters. Three required per vehicle

● ATP Activated Carbon Filter Upgrades OE Pollen Filter

# APPLICATION GUIDE: INTERIOR VENTILATION FILTERS & RELATED PARTS

MODEL	YEAR	ATP PREMIUM LINE PART NUMBER	ATP VALUE LINE PART NUMBER	INSTALLATION NOTES AND HARDWARE	INSTALL TIME	PREMIUM LINE LIST PRICE	INSTRUCT PAGE
<b>JEEP</b>							
Compass	2007-11	TA-4	CF-75		15 Min	\$ 14.00	196
Grand Cherokee	1999-10	TA-8	CF-134	Dealer Installed Option	10 Min	\$ 34.70	200
Liberty	2008-11	TA-7●	CF-171		5 Min	\$ 31.14	199
Patriot	2007-11	TA-4	CF-75		15 Min	\$ 14.00	196
<b>JOHN DEERE</b>							
Dozers		----	CF-155	Air Filter Panel, filter size 9.38" x 6.38" x 2.36"	----	----	----
Forestry Equipment		----	CF-152	Air Filter Panel, filter size 18" x 10" x 2.94"	----	----	----
Graders		----	CF-180	Air Filter Panel, filter size 14.75" x 4.88" x 2.44"	----	----	----
		----	CF-155	Air Filter Panel, filter size 9.38" x 6.38" x 2.36"	----	----	----
Loaders		----	CF-180	Air Filter Panel, filter size 14.75" x 4.88" x 2.44"	----	----	----
		----	CF-152	Air Filter Panel, filter size 18" x 10" x 2.94"	----	----	----
		----	CF-155	Air Filter Panel, filter size 9.38" x 6.38" x 2.36"	----	----	----
Skidders		----	CF-155	Air Filter Panel, filter size 9.38" x 6.38" x 2.36"	----	----	----
Tractors	1999-10	----	CF-146	Air Filter Panel, filter size 12.6" x 6.5" x 1.88"	----	----	----
	1999-10	----	CF-153	Air Filter Panel, filter size 23.15" x 5.20" x 3.43"	----	----	----
		WA-13	CF-146	Air Filter Panel, filter size 12.625" x 6.5" x 1.875"	----	\$ 68.82	----
<b>KIA</b>							
Amanti	2004-09	RA-52●	CF-94		15 Min	\$ 42.01	129
Borrego	2009	RA-96●	CF-172		5 Min	\$ 44.48	167
Forte	2010-11	RA-58	CF-102		10 Min	\$ 32.04	134
Magentis	2006	RA-59●	CF-104		15 Min	\$ 35.07	135
Optima	2011	GA-16●	CF-132		10 Min	\$ 44.48	58
	2006-10	RA-59●	CF-104		15 Min	\$ 35.07	135
Rio	2006-11	RA-58	CF-102		10 Min	\$ 32.04	134
Rio5	2006-11	RA-58	CF-102		10 Min	\$ 32.04	134
Rondo	2007-09	RA-58	CF-102		10 Min	\$ 32.04	134
Sedona	2011	GA-16●	CF-132		10 Min	\$ 44.48	58
	2006-10	RA-57	CF-101		20 Min	\$ 24.00	133
Sorento	2007-09	RA-86●	CF-161		10 Min	\$ 32.04	157
Soul	2010-11	RA-125●	CF-218		----	\$ 16.00	----
Spectra	2005-09	RA-96●	CF-172		5 Min	\$ 44.48	167
	2002-04	----	CF-190		5 Min	----	223
Spectra5	2009	RA-96●	CF-172		5 Min	\$ 44.48	167
Sportage	2005-11	RA-58	CF-102		10 Min	\$ 32.04	134
<b>KOMATSU</b>							
Wheel Loaders		----	CF-151	Air Filter Panel, filter size 10" x 6" x 2.19"	----	----	----
<b>LAND ROVER</b>							
Freelander	2002-05	RA-40●	CF-85		10 Min	\$ 35.60	117
LR2	2008-11	WA-14	CF-148		15 Min	\$ 60.14	215
LR3	2005-09	RA-93	CF-168		5 Min	\$ 64.05	164
LR4	2010	RA-93	CF-168		5 Min	\$ 64.05	164
Range Rover	2003-11	RA-12	CF-52		10 Min	\$ 43.27	87
	1995-02	RA-17*●	CF-57*		20 Min	\$ 57.69	92

\* Contains (2) filters. Two required per vehicle    \*\* Contains (3) filters. Three required per vehicle    ● ATP Activated Carbon Filter Upgrades OE Pollen Filter

# APPLICATION GUIDE: INTERIOR VENTILATION FILTERS & RELATED PARTS

MODEL	YEAR	ATP PREMIUM LINE PART NUMBER	ATP VALUE LINE PART NUMBER	INSTALLATION NOTES AND HARDWARE	INSTALL TIME	PREMIUM LINE LIST PRICE	INSTRUCT PAGE
<b>LAND ROVER</b>							
Range Rover Sport	2006-11	RA-93	CF-168		5 Min	\$ 64.05	164
<b>LEXUS</b>							
CT200h	2011	RA-31	CF-80		10 Min	\$ 28.48	109
ES300	2002-03	RA-3	CF-44		45 Min	\$ 37.53	75-76
	1993-01	RA-2*	CF-43*		30 Min	\$ 65.96	74
ES330	2004-06	RA-3	CF-44		45 Min	\$ 37.53	75-76
ES350	2007-11	RA-31	CF-80		10 Min	\$ 28.48	109
GS300	2006	RA-31	CF-80		10 Min	\$ 28.48	109
	2001-05	RA-10	CF-50		25-30 Min	\$ 50.48	84-85
	1998-00	RA-4	CF-45		25 Min	\$ 40.23	77
	1993-97	RA-116	CF-187	Dealer Installed Option	---	\$ 42.71	---
GS350	2007-11	RA-31	CF-80		10 Min	\$ 28.48	109
GS400	1998-00	RA-4	CF-45		25 Min	\$ 40.23	77
GS430	2006-07	RA-31	CF-80		10 Min	\$ 28.48	109
	2001-05	RA-10	CF-50		25-30 Min	\$ 50.48	84-85
GS450h	2007-11	RA-31	CF-80		10 Min	\$ 28.48	109
GS460	2008-11	RA-31	CF-80		10 Min	\$ 28.48	109
GX460	2010-11	RA-31	CF-80		10 Min	\$ 28.48	109
GX470	2005-08	RA-3	CF-44		45 Min	\$ 37.53	75-76
HS250h	2010-11	RA-31	CF-80		10 Min	\$ 28.48	109
IS F	2008-11	RA-31	CF-80		10 Min	\$ 28.48	109
IS250	2006-11	RA-31	CF-80		10 Min	\$ 28.48	109
IS300	2001-05	RA-7●	CF-48		30-45 Min	\$ 27.88	80
IS350	2006-11	RA-31	CF-80		10 Min	\$ 28.48	109
LS400	1995-00	RA-11	CF-51		10 Min	\$ 35.54	86
LS430	2001-06	RA-10	CF-50		25-30 Min	\$ 50.48	84-85
LS460	2011	RA-31	CF-80	Front	10 Min	\$ 28.48	109
	2007-10	RA-77	---		10 Min	\$ 30.26	150
LS600h	2011	RA-31	CF-80	Front	10 Min	\$ 28.48	109
LX470	1998-07	RA-61●	CF-107		20 Min	\$ 45.87	137
LX570	2008-11	RA-31	CF-80		10 Min	\$ 28.48	109
RX300	1999-03	RA-7●	CF-48		30-45 Min	\$ 27.88	80
RX330	2004-06	RA-3	CF-44		45 Min	\$ 37.53	75-76
RX350	2009-11	RA-31	CF-80		10 Min	\$ 28.48	109
	2007-08	RA-3	CF-44		45 Min	\$ 37.53	75-76
RX400h	2006-08	RA-3	CF-44		45 Min	\$ 37.53	75-76
RX450h	2010-11	RA-31	CF-80		10 Min	\$ 28.48	109
SC430	2002-08	RA-10	CF-50		25-30 Min	\$ 50.48	84-85
<b>LINCOLN</b>							
Blackwood	2002	FA-10●	CF-20	Can only be installed if equipped w/Ford retrofit kit F65Z-18D477-AA	20 Min	\$ 41.21	35
Continental	1998-02	FA-4●	CF-14	FX-507	25 Min	\$ 44.44	28
	1995-97	FA-2●	CF-12	FX-507	25 Min	\$ 44.11	28

\* Contains (2) filters. Two required per vehicle

\*\* Contains (3) filters. Three required per vehicle

● ATP Activated Carbon Filter Upgrades OE Pollen Filter

# APPLICATION GUIDE: INTERIOR VENTILATION FILTERS & RELATED PARTS

MODEL	YEAR	ATP PREMIUM LINE PART NUMBER	ATP VALUE LINE PART NUMBER	INSTALLATION NOTES AND HARDWARE	INSTALL TIME	PREMIUM LINE LIST PRICE	INSTRUCT PAGE
<b>LINCOLN</b>							
LS	2003-06	FA-13●	CF-76	FX-508	20 Min	\$ 30.00	38
	2000-02	FA-8●	CF-18	FX-508	25 Min	\$ 44.91	33
MKS	2010-11	FA-18●	CF-221		10 Min	\$ 34.00	42
MKT	2010-11	FA-18●	CF-221		10 Min	\$ 34.00	42
MKX	2007-11	FA-14●	CF-126		10 Min	\$ 17.79	39
MKZ	2010-11	FA-17●	CF-217		10 Min	\$ 15.00	41
	2008-09	FA-14●	CF-126		10 Min	\$ 17.79	39
Navigator	1998-02	FA-10●	CF-20	Can only be installed if equipped w/Ford retrofit kit F65Z-18D477-AA	20 Min	\$ 41.21	35
<b>MAZDA</b>							
3	2010-11	RA-129*●	CF-223*		25 Min	\$ 46.27	185
	2004-09	RA-67●	CF-119		25-30 Min	\$ 39.14	144
5	2006-10	RA-67●	CF-119		25-30 Min	\$ 39.14	144
6	2009-11	RA-130●	CF-224		10 Min	\$ 40.48	186
	2008	RA-15●	CF-55		20 Min	\$ 28.85	90
	2006-07	RA-15●	CF-55	6S	20 Min	\$ 28.85	90
	2006-07	RA-15●	CF-55	6i	20 Min	\$ 28.85	90
	2003-05	RA-15●	CF-55		20 Min	\$ 28.85	90
626	1998-02	----	CF-142		----	----	----
CX-7	2007-11	RA-85●	CF-160		5 Min	\$ 21.19	156
CX-9	2009-11	RA-128●	CF-222		5 Min	\$ 37.01	184
	2007-08	FA-14●	CF-126		10 Min	\$ 17.79	39
Millenia	2001-02	RA-110*	CF-139*		10 Min	\$ 43.95	179
MPV	2004-06	RA-16*●	CF-56*		25 Min	\$ 36.06	91
	2003	RA-8●	CF-49	Before VIN LW34846 (Last 7 Digits)	15 Min	\$ 42.42	81
	2003	RA-16*●	CF-56*	From VIN LW34846 (Last 7 Digits)	25 Min	\$ 36.06	91
	2000-02	RA-8●	CF-49		15 Min	\$ 42.42	81
RX-8	2004-11	RA-16*●	CF-56*		25 Min	\$ 36.06	91
Tribute	2008-11	FA-15*●	CF-174*	Underhood	15 Min	\$ 30.26	40
	2008-10	FA-12●	CF-5	Hybrid; HV Battery Cooling Filter	10 Min	\$ 29.01	37
	2001-06	FA-11●	CF-21		30 Min	\$ 32.97	36
<b>MERCEDES-BENZ</b>							
300SL	1990-93	----	CF-158		10 Min	----	218
500SL	1990-93	----	CF-158		10 Min	----	218
600SL	1993	----	CF-158		10 Min	----	218
C32 AMG	2002-04	RA-50*	CF-92*	Underdash (w/ Optional Digital HVAC System)	5 Min	\$ 150.01	127
	2002-04	RA-98	CF-175	Underhood filter (standard HVAC system)	5 Min	\$ 78.30	169
C36 AMG	1995-97	RA-27	CF-67		30 Min	\$ 36.06	104-105
C43 AMG	1999-00	RA-27	CF-67		30 Min	\$ 36.06	104-105
C55 AMG	2005-06	RA-50*	CF-92*	Underdash (w/ Optional Digital HVAC System)	5 Min	\$ 150.01	127
	2005-06	RA-98	CF-175	Underhood filter (standard HVAC system)	5 Min	\$ 78.30	169
C63 AMG	2008-11	RA-89	CF-164	Exc. Rectangular Filters	10 Min	\$ 114.25	160
C220	1994-96	RA-27	CF-67		30 Min	\$ 36.06	104-105

\* Contains (2) filters. Two required per vehicle    \*\* Contains (3) filters. Three required per vehicle    ● ATP Activated Carbon Filter Upgrades OE Pollen Filter

# APPLICATION GUIDE: INTERIOR VENTILATION FILTERS & RELATED PARTS

MODEL	YEAR	ATP PREMIUM LINE PART NUMBER	ATP VALUE LINE PART NUMBER	INSTALLATION NOTES AND HARDWARE	INSTALL TIME	PREMIUM LINE LIST PRICE	INSTRUCT PAGE
<b>MERCEDES-BENZ</b>							
C230	2008-09	RA-89	CF-164		10 Min	\$ 114.25	160
	2002-07	RA-50*	CF-92*	Underdash (w/ Optional Digital HVAC System)	5 Min	\$ 150.01	127
	2002-07	RA-98	CF-175	Underhood filter (standard HVAC system)	5 Min	\$ 78.30	169
	1997-00	RA-27	CF-67		30 Min	\$ 36.06	104-105
C240	2001-05	RA-50*	CF-92*	Underdash (w/ Optional Digital HVAC System)	5 Min	\$ 150.01	127
	2001-05	RA-98	CF-175	Underhood filter (standard HVAC system)	5 Min	\$ 78.30	169
C280	2006-07	RA-50*	CF-92*	Underdash (w/ Optional Digital HVAC System)	5 Min	\$ 150.01	127
	2006-07	RA-98	CF-175	Underhood filter (standard HVAC system)	5 Min	\$ 78.30	169
	1994-00	RA-27	CF-67		30 Min	\$ 36.06	104-105
C300	2008-11	RA-89	CF-164		10 Min	\$ 114.25	160
C320	2001-05	RA-50*	CF-92*	Underdash (w/ Optional Digital HVAC System)	5 Min	\$ 150.01	127
	2001-05	RA-98	CF-175	Underhood filter (standard HVAC system)	5 Min	\$ 78.30	169
C350	2008-11	RA-89	CF-164		10 Min	\$ 114.25	160
	2006-07	RA-50*	CF-92*	Underdash (w/ Optional Digital HVAC System)	5 Min	\$ 150.01	127
	2006-07	RA-98	CF-175	Underhood filter (standard HVAC system)	5 Min	\$ 78.30	169
CL55 AMG	2001-04	RA-22	CF-62	Exc. Rectangular Filters	30 Min	\$ 123.62	98
	2001-04	RA-21*●	CF-61*	Rectangular Filters	30 Min	\$ 54.60	97
CL63 AMG	2008-11	RA-103*	CF-213*		15 Min	\$ 57.19	174
CL65 AMG	2008-11	RA-103*	CF-213*		15 Min	\$ 57.19	174
CL500	2001-06	RA-22	CF-62	Exc. Rectangular Filters	30 Min	\$ 123.62	98
	2001-06	RA-21*●	CF-61*	Rectangular Filters	30 Min	\$ 54.60	97
	1998-00	RA-20*●	CF-60*	Rectangular Filters	30 Min	\$ 66.96	96
CL550	2007-11	RA-103*	CF-213*	Exc. Rectangular Filters	15 Min	\$ 57.19	174
CL600	2007-11	RA-103*	CF-213*	Exc. Rectangular Filters	15 Min	\$ 57.19	174
	2001-06	RA-22	CF-62	Exc. Rectangular Filters	30 Min	\$ 123.62	98
	2001-04	RA-21*●	CF-61*	Rectangular Filters	30 Min	\$ 54.60	97
	1998-99	RA-20*●	CF-60*		30 Min	\$ 66.96	96
CLK55 AMG	2003-06	RA-50*	CF-92*	Underdash (w/ Optional Digital HVAC System)	5 Min	\$ 150.01	127
	2003-06	RA-98	CF-175	Underhood filter (standard HVAC system)	5 Min	\$ 78.30	169
	2001-02	RA-27	CF-67		30 Min	\$ 36.06	104-105
CLK63 AMG	2007-09	RA-50*	CF-92*	Underdash (w/ Optional Digital HVAC System)	5 Min	\$ 150.01	127
	2007-09	RA-98	CF-175	Underhood filter (standard HVAC system)	5 Min	\$ 78.30	169
CLK320	2005	RA-50*	CF-92*	Underdash (w/ Optional Digital HVAC System)	5 Min	\$ 150.01	127
	2005	RA-98	CF-175	Underhood filter (standard HVAC system)	5 Min	\$ 78.30	169
	2003-04	RA-27	CF-67	Convertible	30 Min	\$ 36.06	104-105
	2003-04	RA-50*	CF-92*	Coupe; (Underdash w/ Optional Digital HVAC System)	5 Min	\$ 150.01	127
	2003-04	RA-98	CF-175	Coupe; Underhood filter (standard HVAC system)	5 Min	\$ 78.30	169
	1999-02	RA-27	CF-67		30 Min	\$ 36.06	104-105
CLK350	2006-09	RA-50*	CF-92*	Underdash (w/ Optional Digital HVAC System)	5 Min	\$ 150.01	127
	2006-09	RA-98	CF-175	Underhood filter (standard HVAC system)	5 Min	\$ 78.30	169
CLK430	1999-03	RA-27	CF-67		30 Min	\$ 36.06	104-105
CLK500	2003-06	RA-50*	CF-92*	Underdash (w/ Optional Digital HVAC System)	5 Min	\$ 150.01	127
	2003-06	RA-98	CF-175	Underhood filter (standard HVAC system)	5 Min	\$ 78.30	169

\* Contains (2) filters. Two required per vehicle    \*\* Contains (3) filters. Three required per vehicle    ● ATP Activated Carbon Filter Upgrades OE Pollen Filter

# APPLICATION GUIDE: INTERIOR VENTILATION FILTERS & RELATED PARTS

MODEL	YEAR	ATP PREMIUM LINE PART NUMBER	ATP VALUE LINE PART NUMBER	INSTALLATION NOTES AND HARDWARE	INSTALL TIME	PREMIUM LINE LIST PRICE	INSTRUCT PAGE
<b>MERCEDES-BENZ</b>							
CLK550	2007-09	RA-50*	CF-92*	Underdash (w/ Optional Digital HVAC System)	5 Min	\$ 150.01	127
	2007-09	RA-98	CF-175	Underhood filter (standard HVAC system)	5 Min	\$ 78.30	169
CLS55 AMG	2006	RA-95	CF-170		5 Min	\$ 49.83	166
CLS63 AMG	2007-09	RA-95	CF-170		5 Min	\$ 49.83	166
CLS500	2006	RA-95	CF-170		5 Min	\$ 49.83	166
CLS550	2007-09	RA-95	CF-170		5 Min	\$ 49.83	166
E55 AMG	2003-06	RA-95	CF-170		5 Min	\$ 49.83	166
	1999-02	RA-22	CF-62	Exc. Rectangular Filters	30 Min	\$ 123.62	98
	1999-02	RA-21*●	CF-61*	Rectangular Filters	30 Min	\$ 54.60	97
E63 AMG	2011	RA-89	CF-164		10 Min	\$ 114.25	160
	2010	RA-95	CF-170		5 Min	\$ 49.83	166
	2009	RA-131●	CF-225	In Blower Case	10 Min	\$ 50.89	187
	2009	RA-95	CF-170	Underhood	5 Min	\$ 49.83	166
	2007-08	RA-95	CF-170		5 Min	\$ 49.83	166
E300	1995-99	RA-22	CF-62	Exc. Rectangular Filters	30 Min	\$ 123.62	98
	1995-99	RA-21*●	CF-61*	Rectangular Filters	30 Min	\$ 54.60	97
E320	2009	RA-131●	CF-225	Blower Case	10 Min	\$ 50.89	187
	2009	RA-95	CF-170	Underhood	5 Min	\$ 49.83	166
	2003-08	RA-95	CF-170		5 Min	\$ 49.83	166
	1996-02	RA-22	CF-62	Exc. Rectangular Filters	30 Min	\$ 123.62	98
	1996-02	RA-21*●	CF-61*	Rectangular Filters	30 Min	\$ 54.60	97
	1994-95	RA-48*●	CF-3*		30 Min	\$ 40.40	125
E350	2011	RA-89	CF-164		10 Min	\$ 114.25	160
	2010	RA-95	CF-170		5 Min	\$ 49.83	166
	2009	RA-131●	CF-225	Blower Case	10 Min	\$ 50.89	187
	2009	RA-95	CF-170	Underhood	5 Min	\$ 49.83	166
	2006-08	RA-95	CF-170		5 Min	\$ 49.83	166
E420	1994-95	RA-48*●	CF-3*		30 Min	\$ 40.40	125
E430	1998-02	RA-22	CF-62	Exc. Rectangular Filters	30 Min	\$ 123.62	98
	1998-02	RA-21*●	CF-61*	Rectangular Filters	30 Min	\$ 54.60	97
E500	2003-06	RA-95	CF-170		5 Min	\$ 49.83	166
	1994	RA-48*●	CF-3*		30 Min	\$ 40.40	125
E550	2011	RA-89	CF-164		10 Min	\$ 114.25	160
	2007-10	RA-95	CF-170		5 Min	\$ 49.83	166
G55 AMG	2009-11	RA-132	CF-226		10 Min	\$ 36.00	188
G550	2009-11	RA-132	CF-226	Left	10 Min	\$ 36.00	188
	2009-11	RA-49	CF-91	Right	15 Min	\$ 139.99	126
GL320	2007-09	RA-75	CF-133		15 Min	\$ 142.35	148
GL350	2010-11	RA-75	CF-133		15 Min	\$ 142.35	148
GL450	2007-11	RA-75	CF-133		15 Min	\$ 142.35	148
GL550	2008-11	RA-75	CF-133		15 Min	\$ 142.35	148
GLK350	2011	RA-89	CF-164		10 Min	\$ 114.25	160
	2010	RA-75	CF-133		15 Min	\$ 142.35	148

\* Contains (2) filters. Two required per vehicle    \*\* Contains (3) filters. Three required per vehicle    ● ATP Activated Carbon Filter Upgrades OE Pollen Filter

# APPLICATION GUIDE: INTERIOR VENTILATION FILTERS & RELATED PARTS

MODEL	YEAR	ATP PREMIUM LINE PART NUMBER	ATP VALUE LINE PART NUMBER	INSTALLATION NOTES AND HARDWARE	INSTALL TIME	PREMIUM LINE LIST PRICE	INSTRUCT PAGE
<b>MERCEDES-BENZ</b>							
ML55 AMG	2000-02	RA-19●	CF-59		40 Min	\$ 39.15	94-95
ML63 AMG	2007-11	RA-75	CF-133		15 Min	\$ 142.35	148
ML320	2007-09	RA-75	CF-133		15 Min	\$ 142.35	148
	1998-03	RA-19●	CF-59		40 Min	\$ 39.15	94-95
ML350	2007-11	RA-75	CF-133		15 Min	\$ 142.35	148
	2003-06	RA-19●	CF-59		40 Min	\$ 39.15	94-95
ML430	1999-01	RA-19●	CF-59		40 Min	\$ 39.15	94-95
ML450	2010-11	RA-75	CF-133		15 Min	\$ 142.35	148
ML500	2007	RA-75	CF-133		15 Min	\$ 142.35	148
	2002-06	RA-19●	CF-59		40 Min	\$ 39.15	94-95
ML550	2009-11	RA-75	CF-133		15 Min	\$ 142.35	148
R63 AMG	2007	RA-75	CF-133		15 Min	\$ 142.35	148
R320	2007-09	RA-75	CF-133		15 Min	\$ 142.35	148
R350	2006-11	RA-75	CF-133		15 Min	\$ 142.35	148
R500	2006	RA-75	CF-133		15 Min	\$ 142.35	148
S55 AMG	2001-06	RA-22	CF-62	Exc. Rectangular Filters	30 Min	\$ 123.62	98
	2001-06	RA-21●	CF-61*	Rectangular Filters	30 Min	\$ 54.60	97
S65 AMG	2007-11	RA-103*	CF-213*	Rectangular Filters	15 Min	\$ 57.19	174
	2006	RA-21●	---	Rectangular Filters	30 Min	\$ 54.60	97
S320	1994-99	RA-20●	CF-60*		30 Min	\$ 66.96	96
S350	1994-95	RA-20●	CF-60*		30 Min	\$ 66.96	96
S400	2010-11	RA-103*	CF-213*		15 Min	\$ 57.19	174
S420	1994-99	RA-20●	CF-60*		30 Min	\$ 66.96	96
S430	2000-06	RA-21●	CF-61*	Rectangular Filters	30 Min	\$ 54.60	97
	2000-04	RA-22	CF-62	Exc. Rectangular Filters	30 Min	\$ 123.62	98
S500	2000-06	RA-21●	CF-61*	Rectangular Filters	30 Min	\$ 54.60	97
	2000-04	RA-22	CF-62	Exc. Rectangular Filters	30 Min	\$ 123.62	98
	1994-99	RA-20●	CF-60*		30 Min	\$ 66.96	96
S550	2007-11	RA-103*	CF-213*		15 Min	\$ 57.19	174
S600	2008-11	RA-103*	CF-213*	Rectangular Filters	15 Min	\$ 57.19	174
	2001-07	RA-21●	CF-61*	Rectangular Filters	30 Min	\$ 54.60	97
	2001-05	RA-22	CF-62	Exc. Rectangular Filters	30 Min	\$ 123.62	98
	1994-99	RA-20●	CF-60*		30 Min	\$ 66.96	96
SL55 AMG	2003-08	RA-49	CF-91		15 Min	\$ 139.99	126
SL63 AMG	2009-11	RA-49	CF-91		15 Min	\$ 139.99	126
SL65 AMG	2005-11	RA-49	CF-91		15 Min	\$ 139.99	126
SL320	1997	---	CF-200		10 Min	---	218
	1994-96	---	CF-158		10 Min	---	218
SL500	2003-06	RA-49	CF-91		15 Min	\$ 139.99	126
	1997-02	---	CF-200		10 Min	---	218
	1994-96	---	CF-158		10 Min	---	218
SL550	2007-11	RA-49	CF-91		15 Min	\$ 139.99	126

\* Contains (2) filters. Two required per vehicle

\*\* Contains (3) filters. Three required per vehicle

● ATP Activated Carbon Filter Upgrades OE Pollen Filter

# APPLICATION GUIDE: INTERIOR VENTILATION FILTERS & RELATED PARTS

MODEL	YEAR	ATP PREMIUM LINE PART NUMBER	ATP VALUE LINE PART NUMBER	INSTALLATION NOTES AND HARDWARE	INSTALL TIME	PREMIUM LINE LIST PRICE	INSTRUCT PAGE
<b>MERCEDES-BENZ</b>							
SL600	2004-09	RA-49	CF-91		15 Min	\$ 139.99	126
	1997-02	----	CF-200		10 Min	----	218
	1994-96	----	CF-158		10 Min	----	218
SLK32 AMG	2002-04	RA-27	CF-67		30 Min	\$ 36.06	104-105
SLK55 AMG	2005-09	RA-72	CF-128		15 Min	\$ 124.56	146
SLK230	2001-04	RA-27	CF-67		30 Min	\$ 36.06	104-105
SLK280	2006-08	RA-72	CF-128		15 Min	\$ 124.56	146
SLK300	2009-11	RA-72	CF-128		15 Min	\$ 124.56	146
SLK320	2001-04	RA-27	CF-67		30 Min	\$ 36.06	104-105
SLK350	2006-11	RA-72	CF-128		15 Min	\$ 124.56	146
SLR McLaren	2005-06	RA-49	CF-91		15 Min	\$ 139.99	126
SLS AMG	2011	RA-89	CF-164		10 Min	\$ 114.25	160
<b>MERCURY</b>							
Cougar	1999-02	FA-3●	CF-13	FX-500, FX-502, FX-505	25 Min	\$ 45.66	29
Mariner	2008-11	FA-15*●	CF-174*	Underhood	15 Min	\$ 30.26	40
	2006-10	FA-12●	CF-5	Hybrid; HV Battery Cooling Filter	10 Min	\$ 29.01	37
	2005-07	FA-11●	CF-21	Underhood	30 Min	\$ 32.97	36
Milan	2010	FA-17●	CF-217		10 Min	\$ 15.00	41
Monterey Van	2004-07	FA-5●	CF-15		20 Min	\$ 28.22	30
Mystique	1995-00	FA-3●	CF-13	FX-500, FX-502, FX-505	25 Min	\$ 45.66	29
Sable	1996-05	FA-1●	CF-11	FX-501, FX-503, FX-504, FX-506	25 Min	\$ 38.90	26-27
Villager	1999-02	FA-7	CF-17		30 Min	\$ 83.72	32
<b>MINI COOPER</b>							
Cooper	2007-11	RA-100	CF-193		5 Min	\$ 64.05	171
	2003-06	RA-51●	CF-93		10 Min	\$ 50.00	128
Cooper Countryman	2011	RA-100	CF-193		5 Min	\$ 64.05	171
<b>MITSUBISHI</b>							
Eclipse	1999-05	RA-28	CF-68		30 Min	\$ 44.30	106
Galant	1999-05	RA-28	CF-68		30 Min	\$ 44.30	106
Lancer	2007-09	RA-71●	CF-127		10 Min	\$ 32.04	145
	2002-06	RA-30	CF-7		15 Min	\$ 35.02	108
Outlander	2007-09	RA-71●	CF-127		10 Min	\$ 32.04	145
	2003-06	RA-30	CF-7		15 Min	\$ 35.02	108
<b>NAVISTAR</b>							
Buses		WA-5	CF-117	Air Filter Panel, filter size 12.75" x 7.25" x 0.9375"	----	\$ 43.95	----
Semi Trucks		WA-5	CF-117	Air Filter Panel, filter size 12.75" x 7.25" x 0.9375"	----	\$ 43.95	----
<b>NEW HOLLAND</b>							
Tractors		----	CF-181	Canister Style (radial), filter size 13.96" x 6.13" OD x 2.50" ID	----	----	----

\* Contains (2) filters. Two required per vehicle    \*\* Contains (3) filters. Three required per vehicle    ● ATP Activated Carbon Filter Upgrades OE Pollen Filter

# APPLICATION GUIDE: INTERIOR VENTILATION FILTERS & RELATED PARTS

MODEL	YEAR	ATP PREMIUM LINE PART NUMBER	ATP VALUE LINE PART NUMBER	INSTALLATION NOTES AND HARDWARE	INSTALL TIME	PREMIUM LINE LIST PRICE	INSTRUCT PAGE
<b>NISSAN</b>							
Altima	2007-11	RA-99●	CF-192		10 Min	\$ 24.91	170
	2002-06	RA-9	CF-8		20-45 Min	\$ 52.14	82-83
	1998-01	RA-25*●	CF-65*		30-40 Min	\$ 37.09	101-102
Armada	2005-11	RA-18*●	CF-58*		30 Min	\$ 48.42	93
Cube	2009-10	RA-136●	CF-230		20 Min	\$ 20.00	192
Frontier	2005-10	RA-39●	CF-10		10 Min	\$ 36.02	116
	2000-04	RA-29*●	CF-69*		30-40 Min	\$ 46.92	107
GT-R	2009-11	RA-64●	CF-112		15 Min	\$ 31.14	141
Leaf	2011	RA-136●	CF-230		20 Min	\$ 20.00	192
Maxima	2009-11	RA-99●	CF-192		10 Min	\$ 24.91	170
	2004-08	RA-9	CF-8		20-45 Min	\$ 52.14	82-83
	2000-03	RA-14*	CF-54*		40 Min	\$ 61.81	89
Murano	2008-11	RA-105●	CF-215		10 Min	\$ 108.08	176
	2003-07	RA-9	CF-8		20-45 Min	\$ 52.14	82-83
Pathfinder	2005-10	RA-39●	CF-10		10 Min	\$ 36.02	116
	2004	RA-18*●	CF-58*	Armada LE	30 Min	\$ 48.42	93
	2004	RA-18*●	CF-58*	Armada SE	30 Min	\$ 48.42	93
	1998-04	RA-25*●	CF-65*	LE	30-40 Min	\$ 37.09	101-102
	1998-04	RA-25*●	CF-65*	SE	30-40 Min	\$ 37.09	101-102
	1998-02	RA-25*●	CF-65*	XE	30-40 Min	\$ 37.09	101-102
Quest	2011	RA-63	CF-110	For A/C	30 Min	\$ 32.04	140
	2011	RA-63	CF-110	For heater	30 Min	\$ 32.04	140
	2004-09	RA-63	CF-110		30 Min	\$ 32.04	140
	1999-02	FA-7	CF-17		30 Min	\$ 83.72	32
Rogue	2008-11	RA-74●	CF-131		5 Min	\$ 21.35	147
Sentra	2007-11	RA-74●	CF-131		5 Min	\$ 21.35	147
Titan	2004-11	RA-18*●	CF-58*		30 Min	\$ 48.42	93
Versa	2007-11	RA-87●	CF-162		15 Min	\$ 21.35	158
Xterra	2006-11	RA-39●	CF-10		10 Min	\$ 36.02	116
	2000-05	RA-29*●	CF-69*		30-40 Min	\$ 46.92	107
<b>OLDSMOBILE</b>							
Aurora	2001-02	GA-3	CF-24		25 Min	\$ 38.02	44
Intrigue	1998-02	GA-1●	CF-22	GX-3, GX-4	20 Min	\$ 28.00	43
Silhouette	1997-04	GA-7*	CF-28*		20 Min	\$ 62.79	48
<b>PETERBILT</b>							
Trucks		WA-22	CF-176	Air Filter Panel, filter size 12" x 8.125" x 1"	---	\$ 36.90	---
<b>PONTIAC</b>							
Aztek	2001-05	GA-7*	CF-28*		20 Min	\$ 62.79	48
Bonneville	2000-05	GA-3	CF-24		25 Min	\$ 38.02	44
G5	2007-08	GA-12●	CF-33		20-25 Min	\$ 24.93	53-54
G8	2008-09	GA-17●	CF-203		25 Min	\$ 103.31	59
Grand Prix	2004-08	GA-1●	CF-22	GX-3, GX-4	20 Min	\$ 28.00	43
Montana	1999-08	GA-7*	CF-28*		20 Min	\$ 62.79	48

\* Contains (2) filters. Two required per vehicle

\*\* Contains (3) filters. Three required per vehicle

● ATP Activated Carbon Filter Upgrades OE Pollen Filter

# APPLICATION GUIDE: INTERIOR VENTILATION FILTERS & RELATED PARTS

MODEL	YEAR	ATP PREMIUM LINE PART NUMBER	ATP VALUE LINE PART NUMBER	INSTALLATION NOTES AND HARDWARE	INSTALL TIME	PREMIUM LINE LIST PRICE	INSTRUCT PAGE
<b>PONTIAC</b>							
Pursuit	2005-06	GA-12●	CF-33		20-25 Min	\$ 24.93	53-54
Torrent	2006-08	GA-9●	CF-30	GX-5	25 Min	\$ 45.04	50
Trans Sport	1997-99	GA-7*	CF-28*		20 Min	\$ 62.79	48
Vibe	2009	RA-31	CF-80		10 Min	\$ 28.48	109
	2003-08	GA-10●	CF-31		15 Min	\$ 54.22	51
Wave	2005-07	GA-14●	CF-35		30 Min	\$ 31.94	56
<b>PORSCHE</b>							
911	2000-12	RA-126	CF-219		10 Min	\$ 69.40	182
Boxster	2005-11	RA-126	CF-219		10 Min	\$ 69.40	182
	1997-04	----	CF-189		5 Min	----	222
Cayenne	2004-11	VA-6	CF-103		20 Min	\$ 26.00	209
Cayman	2009	RA-126	CF-219		10 Min	\$ 69.40	182
<b>SAAB</b>							
9-3	2003-11	RA-90	CF-165		10 Min	\$ 24.73	161
	1999-02	RA-65	CF-120		30 Min	\$ 32.04	142
9-5	1999-09	RA-94	CF-169		20 Min	\$ 67.27	165
900	1991-98	RA-65	CF-120		30 Min	\$ 32.04	142
9000	1992-98	----	CF-197		5 Min	----	225
	1986-91	----	CF-196		5 Min	----	225
<b>SATURN</b>							
Astra	2008-09	GA-19	CF-156		15 Min	\$ 57.83	61
Ion	2004-07	GA-12●	CF-33		20-25 Min	\$ 24.93	53-54
Ion-1	2003-05	GA-12●	CF-33		20-25 Min	\$ 24.93	53-54
Ion-2	2003-07	GA-12●	CF-33		20-25 Min	\$ 24.93	53-54
Ion-3	2003-07	GA-12●	CF-33		20-25 Min	\$ 24.93	53-54
L100	2001-02	GA-8	CF-29		20 Min	\$ 29.40	49
L200	2001-03	GA-8	CF-29		20 Min	\$ 29.40	49
L300	2005	GA-8	CF-29		20 Min	\$ 29.40	49
	2001-03	GA-8	CF-29		20 Min	\$ 29.40	49
L300-1	2004	GA-8	CF-29		20 Min	\$ 29.40	49
L300-2	2004	GA-8	CF-29		20 Min	\$ 29.40	49
L300-3	2004	GA-8	CF-29		20 Min	\$ 29.40	49
LS	2000	GA-8	CF-29		20 Min	\$ 29.40	49
LS1	2000	GA-8	CF-29		20 Min	\$ 29.40	49
LS2	2000	GA-8	CF-29		20 Min	\$ 29.40	49
LW1	2000	GA-8	CF-29		20 Min	\$ 29.40	49
LW2	2000	GA-8	CF-29		20 Min	\$ 29.40	49
LW200	2001-03	GA-8	CF-29		20 Min	\$ 29.40	49
LW300	2001-03	GA-8	CF-29		20 Min	\$ 29.40	49
Relay-1	2007	GA-7*	CF-28*		20 Min	\$ 62.79	48
Relay-2	2005-07	GA-7*	CF-28*		20 Min	\$ 62.79	48
Relay-3	2005-07	GA-7*	CF-28*		20 Min	\$ 62.79	48

\* Contains (2) filters. Two required per vehicle    \*\* Contains (3) filters. Three required per vehicle    ● ATP Activated Carbon Filter Upgrades OE Pollen Filter

# APPLICATION GUIDE: INTERIOR VENTILATION FILTERS & RELATED PARTS

MODEL	YEAR	ATP PREMIUM LINE PART NUMBER	ATP VALUE LINE PART NUMBER	INSTALLATION NOTES AND HARDWARE	INSTALL TIME	PREMIUM LINE LIST PRICE	INSTRUCT PAGE
<b>SATURN</b>							
Vue	2008-09	GA-16●	CF-132		10 Min	\$ 44.48	58
	2002-07	GA-9●	CF-30	GX-5	25 Min	\$ 45.04	50
<b>SCION</b>							
tC	2011	RA-31	CF-80		10 Min	\$ 28.48	109
	2009-10	RA-6●	CF-47		30-45 Min	\$ 26.35	79
xA	2004-06	RA-6●	CF-47		30-45 Min	\$ 26.35	79
xB	2008-11	RA-31	CF-80		10 Min	\$ 28.48	109
	2004-06	RA-6●	CF-47		30-45 Min	\$ 26.35	79
xD	2008-11	RA-31	CF-80		10 Min	\$ 28.48	109
<b>SMART</b>							
Fortwo	2008-09	RA-88	CF-163		10 Min	\$ 53.39	159
	2005-07	RA-62	CF-109		45-60 Min	\$ 59.70	138-139
<b>STERLING</b>							
Semi Trucks		----	CF-207	Air Filter Panel, filter size 8.5" x 6.1875" x 1.125"	----	----	----
<b>SUBARU</b>							
B9 Tribeca	2006-07	RA-8●	CF-49		15 Min	\$ 42.42	81
Baja	2003-06	RA-38*	CF-2*		15 Min	\$ 45.01	115
Forester	2009-11	RA-101*●	CF-194*		10 Min	\$ 39.16	172
	2003-08	RA-37	CF-84		15 Min	\$ 29.01	114
	2000-02	----	CF-188		10 Min	----	221
Impreza	2008-11	RA-101*●	CF-194*		10 Min	\$ 39.16	172
	2002-07	RA-36	CF-4		15 Min	\$ 29.01	113
Legacy	2010-11	RA-31	CF-80		10 Min	\$ 28.48	109
	2006-09	RA-8●	CF-49		15 Min	\$ 42.42	81
	2000-05	RA-38*	CF-2*		15 Min	\$ 45.01	115
Outback	2010-11	RA-31	CF-80		10 Min	\$ 28.48	109
	2006-09	RA-8●	CF-49		15 Min	\$ 42.42	81
	2000-05	RA-38*	CF-2*		15 Min	\$ 45.01	115
Tribeca	2008-11	RA-8●	CF-49		15 Min	\$ 42.42	81
<b>SUZUKI</b>							
Equator	2009-11	RA-39●	CF-10		10 Min	\$ 36.02	116
Forenza	2004-08	RA-35	CF-83		15 Min	\$ 29.03	112
Grand Vitara	2006-11	RA-104●	CF-141		5 Min	\$ 30.07	175
	2003-05	RA-66●	CF-118		10 Min	\$ 28.48	143
	1999-02	GA-6*●	CF-27*		30 Min	\$ 51.59	47
Kizashi	2011	RA-39●	CF-10		10 Min	\$ 36.02	116
Reno	2005-08	RA-35	CF-83		15 Min	\$ 29.03	112
SX4	2007-10	RA-120	CF-191		5 Min	\$ 30.07	181
Verona	2004-06	RA-55●	CF-98		15 Min	\$ 39.50	131
Vitara	1999-04	GA-6*●	CF-27*		30 Min	\$ 51.59	47
XL-7	2004-06	RA-66●	CF-118		10 Min	\$ 28.48	143
	2002-03	GA-6*●	CF-27*		30 Min	\$ 51.59	47

\* Contains (2) filters. Two required per vehicle

\*\* Contains (3) filters. Three required per vehicle

● ATP Activated Carbon Filter Upgrades OE Pollen Filter

# APPLICATION GUIDE: INTERIOR VENTILATION FILTERS & RELATED PARTS

MODEL	YEAR	ATP PREMIUM LINE PART NUMBER	ATP VALUE LINE PART NUMBER	INSTALLATION NOTES AND HARDWARE	INSTALL TIME	PREMIUM LINE LIST PRICE	INSTRUCT PAGE
<b>TOYOTA</b>							
4Runner	2010-11	RA-31	CF-80		10 Min	\$ 28.48	109
	2003-09	RA-8●	CF-49		15 Min	\$ 42.42	81
Avalon	2005-11	RA-31	CF-80		10 Min	\$ 28.48	109
	2000-04	RA-3	CF-44		45 Min	\$ 37.53	75-76
Camry	2007-11	RA-31	CF-80		10 Min	\$ 28.48	109
	2002-06	RA-3	CF-44		45 Min	\$ 37.53	75-76
Celica	2000-05	RA-8●	CF-49		15 Min	\$ 42.42	81
Corolla	2009-11	RA-31	CF-80		10 Min	\$ 28.48	109
	2002-08	RA-5	CF-46		25 Min	\$ 25.73	78
Echo	2000-05	RA-6●	CF-47		30-45 Min	\$ 26.35	79
FJ Cruiser	2007-09	RA-8●	CF-49		15 Min	\$ 42.42	81
Highlander	2008-11	RA-31	CF-80		10 Min	\$ 28.48	109
	2001-07	RA-7●	CF-48		30-45 Min	\$ 27.88	80
Land Cruiser	2008-11	RA-31	CF-80		10 Min	\$ 28.48	109
	2006-07	RA-61●	CF-107		20 Min	\$ 45.87	137
Matrix	2009-11	RA-31	CF-80		10 Min	\$ 28.48	109
	2003-08	RA-5	CF-46		25 Min	\$ 25.73	78
Prius	2010-11	RA-31	CF-80		10 Min	\$ 28.48	109
	2001-09	RA-8●	CF-49		15 Min	\$ 42.42	81
RAV4	2006-11	RA-31	CF-80		10 Min	\$ 28.48	109
	2001-05	RA-6●	CF-47		30-45 Min	\$ 26.35	79
Sequoia	2008-11	RA-31	CF-80		10 Min	\$ 28.48	109
Sienna	2010-11	RA-31	CF-80		10 Min	\$ 28.48	109
	2006-09	RA-3	CF-44		45 Min	\$ 37.53	75-76
	2003-05	RA-8●	CF-49	CE	15 Min	\$ 42.42	81
	2003-05	RA-8●	CF-49	LE	15 Min	\$ 42.42	81
	2003-05	RA-3	CF-44	XLE	45 Min	\$ 37.53	75-76
	2003-05	RA-3	CF-44	XLE Limited	45 Min	\$ 37.53	75-76
Solara	2002-08	RA-3	CF-44		45 Min	\$ 37.53	75-76
Tacoma	2005-11	GA-10●	CF-31		15 Min	\$ 54.22	51
Tundra	2007-11	RA-31	CF-80		10 Min	\$ 28.48	109
Venza	2009-11	RA-31	CF-80		10 Min	\$ 28.48	109
Yaris	2006-11	RA-31	CF-80		10 Min	\$ 28.48	109
<b>VOLKSWAGEN</b>							
Beetle	1998-10	VA-1	CF-72		30 Min	\$ 35.74	202-203
Cabrio	1995-02	VA-1	CF-72		30 Min	\$ 35.74	202-203
CC	2009-11	VA-8	CF-108		20 Min	\$ 33.75	210
Eos	2007-11	VA-8	CF-108		20 Min	\$ 33.75	210
EuroVan	1999-03	VA-11	CF-157		10 Min	\$ 56.94	212
Golf	2010-11	VA-8	CF-108		20 Min	\$ 33.75	210
	1993-06	VA-1	CF-72		30 Min	\$ 35.74	202-203
	1990-92	VA-9	CF-121		20 Min	\$ 39.16	204

\* Contains (2) filters. Two required per vehicle    \*\* Contains (3) filters. Three required per vehicle    ● ATP Activated Carbon Filter Upgrades OE Pollen Filter

# APPLICATION GUIDE: INTERIOR VENTILATION FILTERS & RELATED PARTS

MODEL	YEAR	ATP PREMIUM LINE PART NUMBER	ATP VALUE LINE PART NUMBER	INSTALLATION NOTES AND HARDWARE	INSTALL TIME	PREMIUM LINE LIST PRICE	INSTRUCT PAGE
<b>VOLKSWAGEN</b>							
GTI	2007-11	VA-8	CF-108		20 Min	\$ 33.75	210
	2006	VA-1	CF-72		30 Min	\$ 35.74	202-203
Jetta	2006-11	VA-8	CF-108		20 Min	\$ 33.75	210
	2005	VA-1	CF-72	1.8L	30 Min	\$ 35.74	202-203
	2005	VA-1	CF-72	1.9L	30 Min	\$ 35.74	202-203
	2005	VA-1	CF-72	2.0L	30 Min	\$ 35.74	202-203
	2005	VA-8	CF-108	2.5L	20 Min	\$ 33.75	210
	1993-04	VA-1	CF-72		30 Min	\$ 35.74	202-203
	1990-92	VA-9	CF-121		20 Min	\$ 39.16	204
Passat	2006-10	VA-8	CF-108		20 Min	\$ 33.75	210
	2002-05	VA-1	CF-72		30 Min	\$ 35.74	202-203
	1998-01	VA-2	CF-73		20 Min	\$ 51.66	204
	1995-97	VA-4●	CF-97		20 Min	\$ 25.76	207
	1993-94	VA-7	CF-106		20 Min	\$ 32.04	204
R32	2008	VA-8	CF-108		20 Min	\$ 33.75	210
Rabbit Car	2006-09	VA-8	CF-108		20 Min	\$ 33.75	210
Routan	2009	RA-64●	CF-112		15 Min	\$ 31.14	141
Tiguan	2009-11	VA-8	CF-108		20 Min	\$ 33.75	210
Touareg	2007-11	VA-6	CF-103		20 Min	\$ 26.00	209
	2006	VA-8	CF-108		20 Min	\$ 33.75	210
	2004-05	VA-6	CF-103		20 Min	\$ 26.00	209
<b>VOLVO</b>							
850	1993-97	RA-1	CF-42		20 Min	\$ 41.70	73
C30	2008-11	RA-34●	CF-82		10 Min	\$ 33.98	111
C70	2006-11	RA-34●	CF-82		10 Min	\$ 33.98	111
	2001-04	RA-13●	----	With 1 inch thick filter	40 Min	\$ 37.09	88
	2001-04	----	CF-53	With 1-3/8 inch thick filter	40 Min	----	88
S40	2005-11	RA-34●	CF-82		10 Min	\$ 33.98	111
	2004	RA-33●	CF-81	1.9L	5 Min	\$ 32.00	110
	2004	RA-34●	CF-82	2.4L	10 Min	\$ 33.98	111
	2002-03	RA-33●	CF-81		5 Min	\$ 32.00	110
S60	2011	WA-14	CF-148		15 Min	\$ 60.14	215
	2001-09	RA-13●	----	With 1 inch thick filter	40 Min	\$ 37.09	88
	2001-09	----	CF-53	With 1-3/8 inch thick filter	40 Min	----	88
S80	2007-11	WA-14	CF-148		15 Min	\$ 60.14	215
	1999-06	RA-13●	----	With 1 inch thick filter	40 Min	\$ 37.09	88
	1999-06	----	CF-53	With 1-3/8 inch thick filter	40 Min	----	88
V40	2002-04	RA-33●	CF-81		5 Min	\$ 32.00	110
V50	2005-11	RA-34●	CF-82		10 Min	\$ 33.98	111
V70	2008-09	WA-14	CF-148		15 Min	\$ 60.14	215
	2001-07	RA-13●	----	With 1 inch thick filter	40 Min	\$ 37.09	88
	2001-07	----	CF-53	With 1-3/8 inch thick filter	40 Min	----	88

\* Contains (2) filters. Two required per vehicle

\*\* Contains (3) filters. Three required per vehicle

● ATP Activated Carbon Filter Upgrades OE Pollen Filter

# APPLICATION GUIDE: INTERIOR VENTILATION FILTERS & RELATED PARTS

MODEL	YEAR	ATP PREMIUM LINE PART NUMBER	ATP VALUE LINE PART NUMBER	INSTALLATION NOTES AND HARDWARE	INSTALL TIME	PREMIUM LINE LIST PRICE	INSTRUCT PAGE
<b>VOLVO</b>							
XC60	2010-11	WA-14	CF-148		15 Min	\$ 60.14	215
XC70	2008-11	WA-14	CF-148		15 Min	\$ 60.14	215
	2004-07	RA-13●	---	With 1 inch thick filter	40 Min	\$ 37.09	88
	2004-07	---	CF-53	With 1-3/8 inch thick filter	40 Min	---	88
XC90	2003-11	RA-13●	---	With 1 inch thick filter	40 Min	\$ 37.09	88
	2003-11	---	CF-53	With 1-3/8 inch thick filter	40 Min	---	88
<b>VOLVO HEAVY DUTY</b>							
Articulated Haulers		---	CF-204	Air Filter Panel, filter size 10.5" x 7.375" x 1.75"	---	---	---
Backhoes		---	CF-204	Air Filter Panel, filter size 10.5" x 7.375" x 1.75"	---	---	---
Scrapers		---	CF-204	Air Filter Panel, filter size 10.5" x 7.375" x 1.75"	---	---	---
Semi Trucks		WA-6	CF-208	Air Filter Panel, filter size 12.5" x 8.375" x 0.8125"	---	\$ 40.00	---
		WA-2	CF-114	Air Filter Panel, filter size 11.5" x 4.75" x 1.75"	---	\$ 32.39	---
		WA-25	CF-179	Air Filter Panel, filter size 12.75" x 9.25" x 1.125"	---	\$ 32.95	---

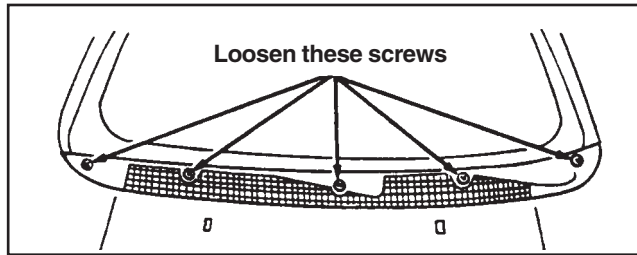
\* Contains (2) filters. Two required per vehicle    \*\* Contains (3) filters. Three required per vehicle    ● ATP Activated Carbon Filter Upgrades OE Pollen Filter

# Interior Ventilation Filter Installation

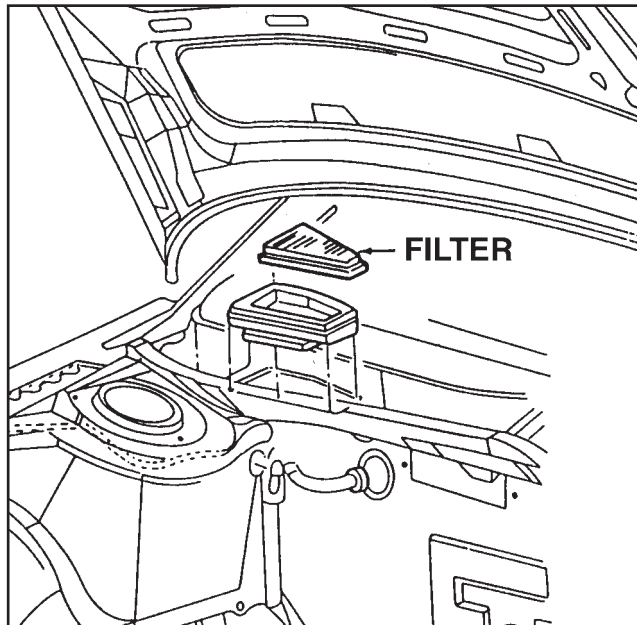
## *Taurus and Sable*

Model Years 1996-99

1. Loosen the screws (ATP Part No. FX-503) on the grille. A quarter-turn will release the screws.



2. Open the hood. Remove the clips (ATP Part No. FX-501) that hold the grille, separate the two halves and remove the grille.



3. Remove the splash guard. (2)  $\frac{5}{16}$ " bolts (ATP Part No. FX-506) secure the guard.

4. The filter is in a housing at the back of the engine compartment, on the left side. Slide out the filter.

5. Install the new filter. Reinstall the splash guard.

6. Replace the grille and clips.

*Approximate Installation Time: 25 Minutes*

**atp**  
professional auto parts®

1300 Pratt Boulevard  
Elk Grove Village, Illinois 60007  
Phone: 847-967-6790 Fax: 847-967-8686  
www.atp-inc.com • TRANSNET: 79122

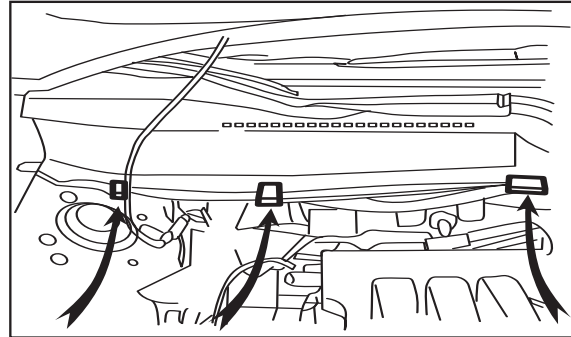
# Interior Ventilation Filter Installation

## *Taurus and Sable*

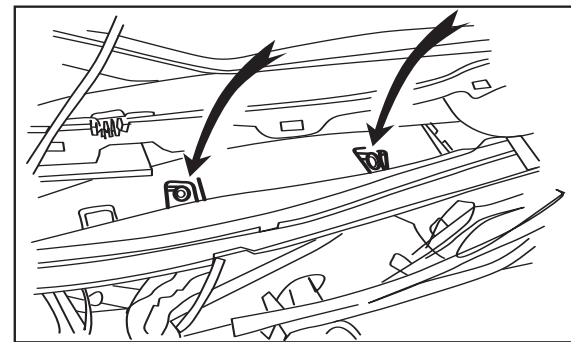
Model Years 2000-06

**Interior Ventilation Filter Is Located Underneath Passenger Side Cowl Cover**

**1. Remove (3) cowl cover retaining clips (ATP part no. FX-501) and remove cover.**

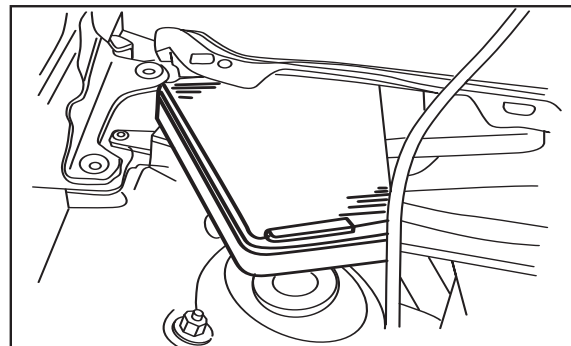


**2. Remove (2) hex screws from water shield and remove the shield.**



**3. Lift up on filter and pull out towards the front of the vehicle.**

**4. Installation is in the reverse order of removal.**



**Approximate Installation Time:  
25 Minutes**

**atp**  
professional auto parts®

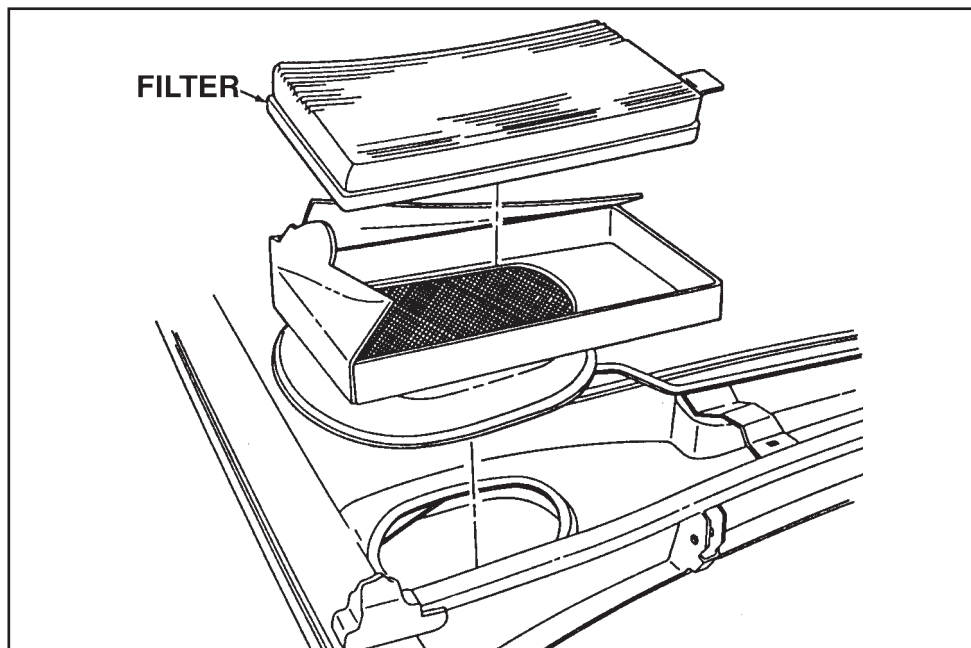
1300 Pratt Boulevard  
Elk Grove Village, Illinois 60007  
Phone: 847-967-6790 Fax: 847-967-8686  
www.atp-inc.com • TRANSNET: 79122

# **Interior Ventilation Filter Installation**

## ***Lincoln Continental***

- 1. Lift hood.**
- 2. Locate panel on passenger side by windshield. A label on the panel identifies it as housing the filter.**
- 3. Remove (2) screws (ATP Part No. FX-507) and remove cover.**
- 4. Lift out old filter from its housing.**
- 5. Fit new filter in housing and replace the cover.**

***Approximate Installation Time: 25 Minutes***



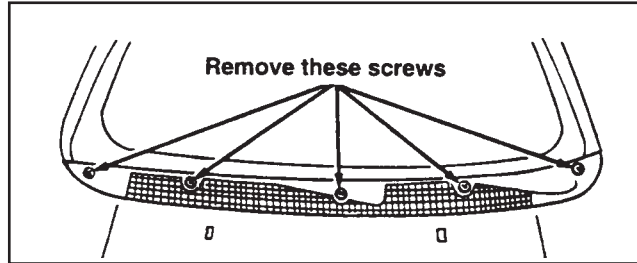
**atp**  
*professional auto parts®*

1300 Pratt Boulevard  
Elk Grove Village, Illinois 60007  
Phone: 847-967-6790 Fax: 847-967-8686  
www.atp-inc.com • TRANSNET: 79122

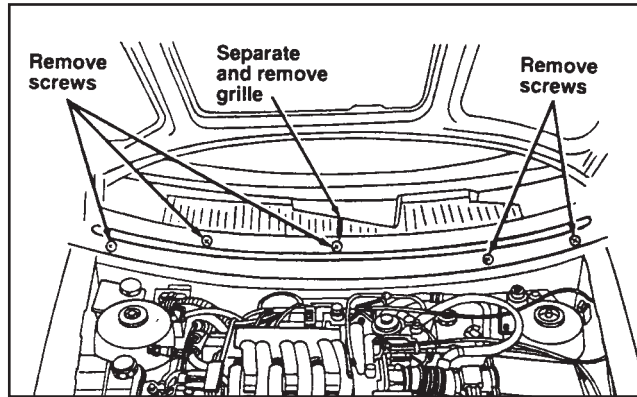
# Interior Ventilation Filter Installation

## Contour, Mystique, and Cougar

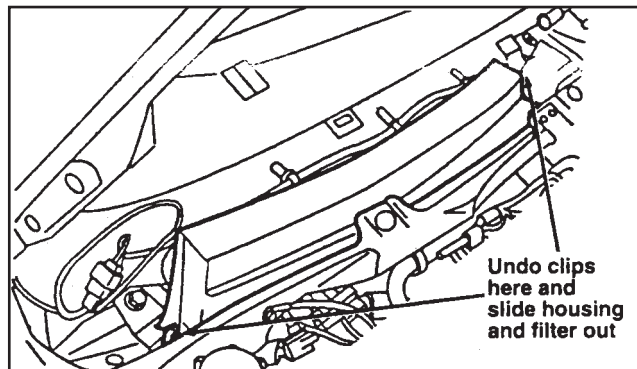
1. Remove the plastic caps (ATP Part No. FX-500) from the screws on the grille. Remove the screws (ATP Part No. FX-502).



2. Open the hood. Pull off the rubber weatherstrip at the back of the engine compartment. Remove the screws (ATP Part No. FX-505) that hold the grille, separate the two halves and remove the left grille.



3. The filter is in a housing at the back of the engine compartment, on the left side. Pull off the two clips on the sides of the housing. Slide out the housing and filter.



4. Slide the filter out of the housing, replace with the new filter, and slide the housing and passenger compartment air filter back into place. Reinstall the clips on the housing.

5. Replace the grille.

*Approximate Installation Time: 25 Minutes*

**atp**  
professional auto parts®

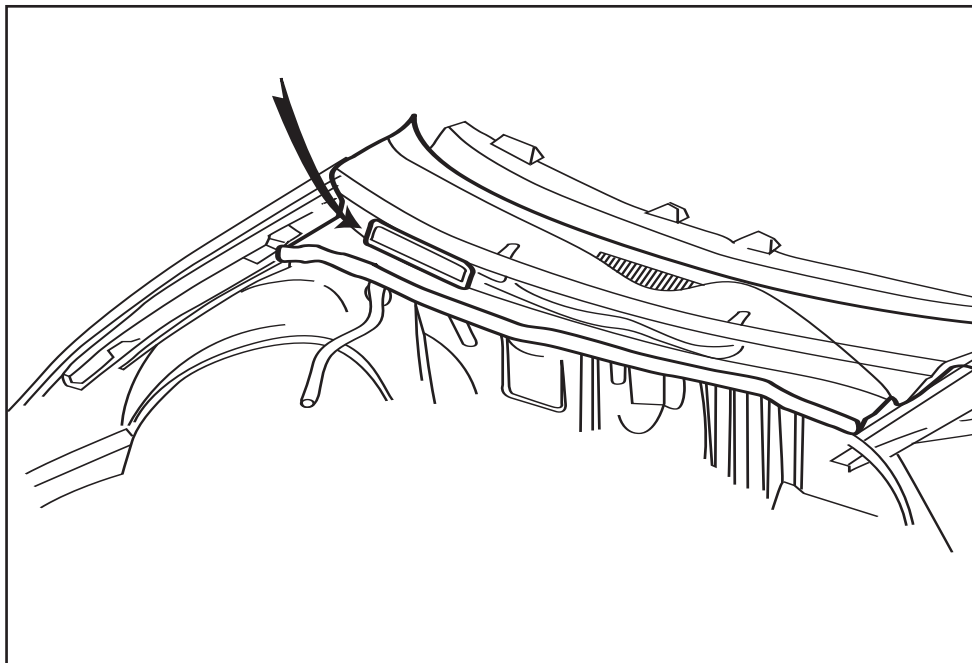
1300 Pratt Boulevard  
Elk Grove Village, Illinois 60007  
Phone: 847-967-6790 Fax: 847-967-8686  
www.atp-inc.com • TRANSNET: 79122

# **Interior Ventilation Filter Installation**

## ***Windstar, Freestar, Monterey***

- 1. Open hood.**
- 2. The interior ventilation filter is located under the cowl panel on the passenger side.**
- 3. On the cowl panel, pull off the filter cover. Then remove the filter.**
- 4. Install new filter in reverse order of removal.**

***Approximate Installation Time: 20 Minutes***



**atp**  
*professional auto parts®*

**1300 Pratt Boulevard  
Elk Grove Village, Illinois 60007  
Phone: 847-967-6790 Fax: 847-967-8686  
www.atp-inc.com • TRANSNET: 79122**

# Interior Ventilation Filter Installation

## Ford Focus

**Note:** Some Ford Focus models did not have a factory-installed filter. These particular models have a plastic grille in the space where the filter should be. The grille can be discarded when installing the new filter.

1. Open hood.
2. The filter is on the passenger side of the engine compartment.
3. With a screwdriver, release the clips that hold the cowl cover. Separate the two halves and remove the passenger side cover. (See Figure 1)
4. Release the clips on the right and left side of the filter housing. Pull down the filter door. (See Figure 2)
5. Pull out the old filter and install the new one. If the vehicle originally came with a plastic grille, discard the grille and install the new filter in its place.
6. Close the filter door. The clips will snap back in place.
7. Replace cowl cover. The clips will snap back in place.

Figure 1

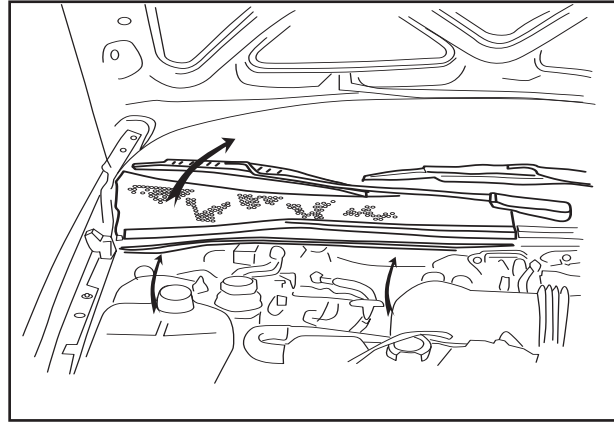
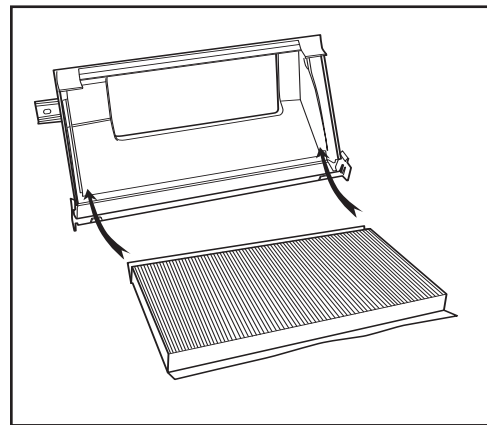


Figure 2



*Approximate Installation Time: 25 Minutes*

**atp**  
professional auto parts®

1300 Pratt Boulevard  
Elk Grove Village, Illinois 60007  
Phone: 847-967-6790 Fax: 847-967-8686  
www.atp-inc.com • TRANSNET: 79122

# Interior Ventilation Filter Installation

## Mercury Villager, Nissan Quest

The interior vent filter is located under the cowl on the passenger side of the vehicle.

1. Both windshield wiper arms must be removed. Pull the wipers away from the windshield so they point away from it.
2. Rotate each retaining clip at the base of each windshield wiper counterclockwise. Hold each clip in this position while removing the wiper arm.
3. Remove the six screws from the cowl shield at the base of the windshield. (See Figure 1)
4. Open hood.
5. Remove the four plastic screws from the forward section of the cowl shield.
6. Disconnect the windshield washer hose from the Y-connector located at the rear passenger corner of the engine compartment.
7. Remove the cowl shield.
8. Remove the four screws from the interior vent filter cover.
9. Pull the interior vent filter forward and remove from the vehicle. (See Figure 2)
10. Install the filter and reinstall the cowl shield in the reverse order of removal.

Figure 1

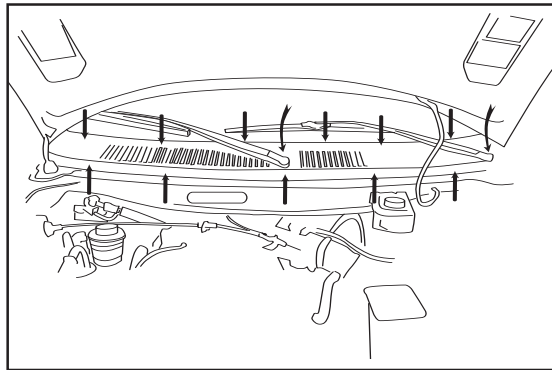
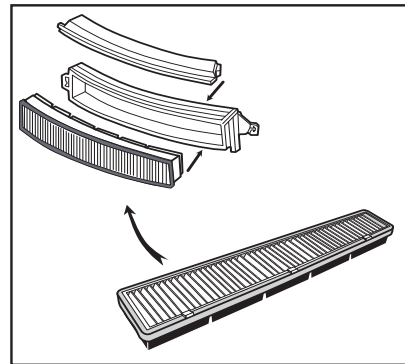


Figure 2



*Approximate Installation Time: 30 Minutes*

**atp**  
professional auto parts®

1300 Pratt Boulevard  
Elk Grove Village, Illinois 60007  
Phone: 847-967-6790 Fax: 847-967-8686  
www.atp-inc.com • TRANSNET: 79122

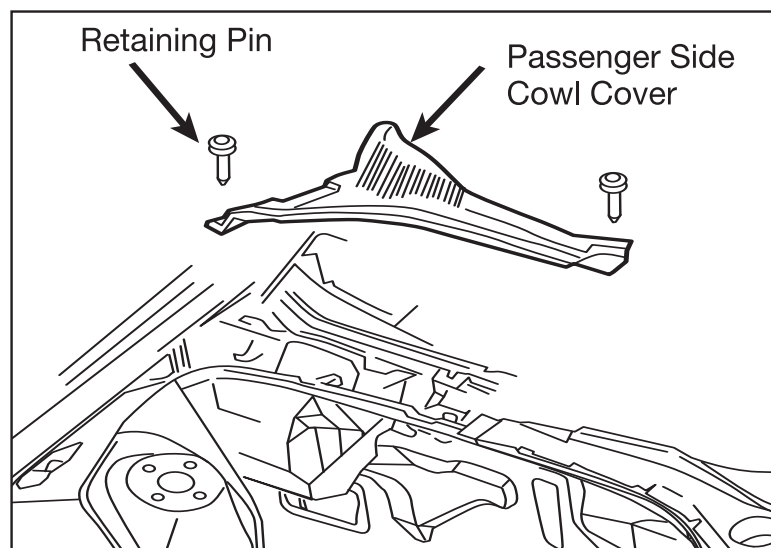
# Interior Ventilation Filter Installation

## *Lincoln LS, Ford Thunderbird*

Filter element is located under passenger side cowl cover.

1. Turn ignition to the on position.
2. Turn windshield wipers on, once windshield wipers point up, turn ignition off.
3. Open hood.
4. Remove (5) retaining pins (ATP Part No. FX-508) from passenger side cowl cover, remove cover.
5. Remove filter element by sliding the filter up.
6. Install new filter and cowl cover in the reverse order of removal.
7. For Lincoln LS applications, reset the A/C Filter Life on the message center of the instrument panel by doing the following. With the key in the RUN position, scroll through each of the system messages by pressing the **STATUS** button located above the radio until you reach "A/C Filter Life". Press the **RESET** button located above the radio.

*Approximate  
Installation Time:  
25 Minutes*



**atp**  
professional auto parts®

1300 Pratt Boulevard  
Elk Grove Village, Illinois 60007  
Phone: 847-967-6790 Fax: 847-967-8686  
www.atp-inc.com • TRANSNET: 79122

# Interior Ventilation Filter Installation

## Ford Mustang

Interior ventilation filter is located underneath passenger side cowl cover.

1. Turn ignition to the on position.
2. Position windshield wipers to the up position and turn ignition off.
3. Open Hood.
4. Remove (2) cowl retainer pins on cowl cover. (See Figure 1)
5. Remove the weather strip along the cowl cover and separate cowl cover connecting to the driver's side cowl cover and gently remove from vehicle.
6. Locate the filter housing behind the vehicle's battery and remove the filter housing cover. (See Figure 2)
7. Pull up on filter to remove. (See Figure 3)
8. Installation is in the reverse order of removal.

*Approximate Installation Time: 20 Minutes*

Figure 1

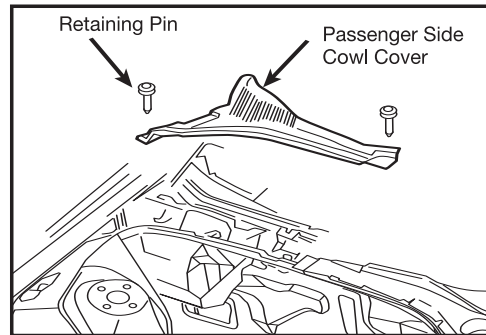


Figure 2

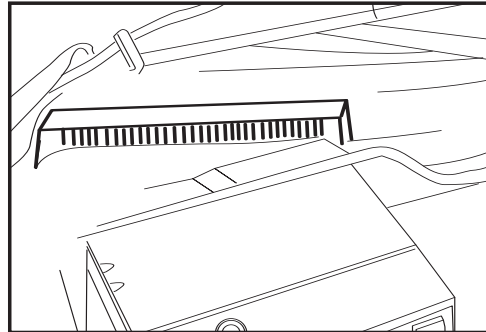
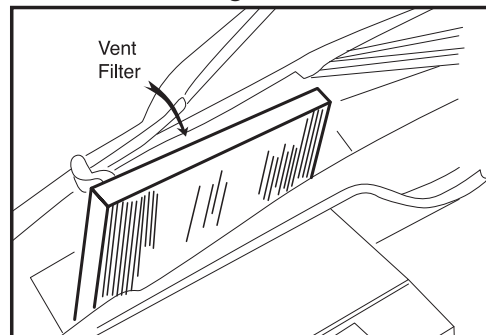


Figure 3



**atp**  
professional auto parts®

1300 Pratt Boulevard  
Elk Grove Village, Illinois 60007  
Phone: 847-967-6790 Fax: 847-967-8686  
www.atp-inc.com • TRANSNET: 79122

# Interior Ventilation Filter Installation

## *Ford F150, F250, Expedition, Lincoln Blackwood, Navigator*

Interior ventilation filter is located underneath glove box compartment.

**Note:** This filter can only be installed if vehicle is equipped with Ford Retrofit Interior Vent Filter Kit Part No. F65Z-18D477-AA.

1. Remove (4) screws on filter housing cover. Remove vent filter housing cover. (See Figure 1)
2. Slide filter down and remove.
3. Installation is in the reverse order of removal.

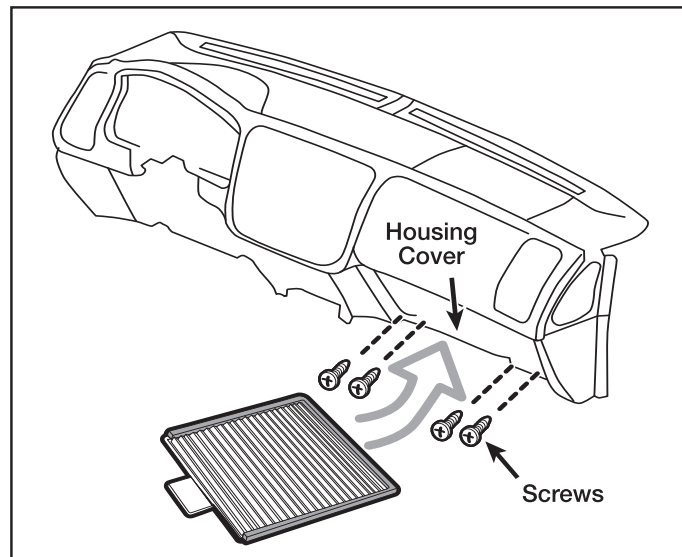


Figure 1

**Approximate Installation Time: 20 Minutes**

**atp**  
professional auto parts®

1300 Pratt Boulevard  
Elk Grove Village, Illinois 60007  
Phone: 847-967-6790 Fax: 847-967-8686  
www.atp-inc.com • TRANSNET: 79122

# Interior Ventilation Filter Installation

## *Ford Escape, Mercury Mariner, Mazda Tribute*

Interior ventilation filter is located under passenger side cowl cover.

1. Turn ignition to the on position. Turn windshield wipers to the on position, once wipers reach the center of the windshield, turn ignition off.
2. Remove (4) Phillips screws at the base of the passenger side windshield. Open and prop up hood. Remove (4) push pins on passenger side cowl. (See Figure 1)
3. Disengage passenger side cowl cover clips by tilting the front edge of the cowl cover up and pull forward. Remove filter from cowl area. (See Figure 2)
4. Replace filter. Installation is in the reverse order of removal.

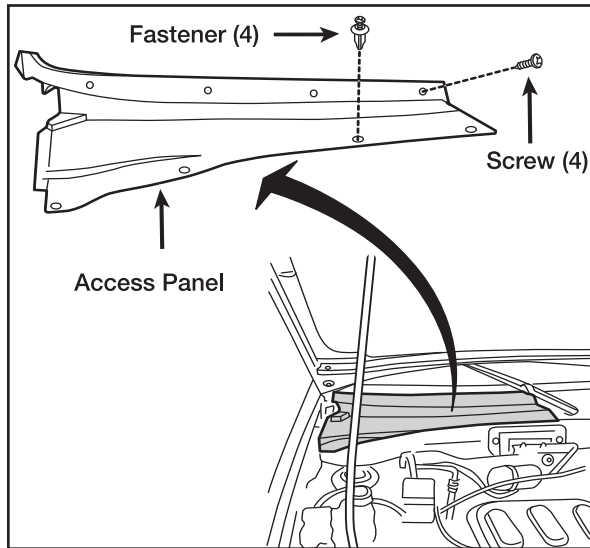


Figure 1

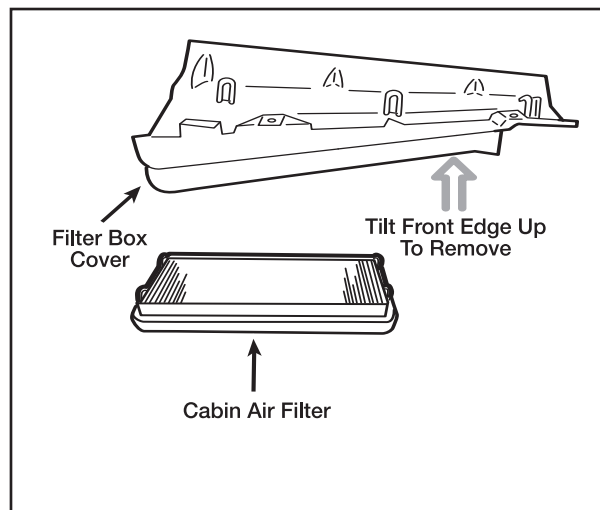


Figure 2

*Approximate Installation Time: 30 Minutes*



1300 Pratt Boulevard  
 Elk Grove Village, Illinois 60007  
 Phone: 847-967-6790 Fax: 847-967-8686  
 www.atp-inc.com • TRANSNET: 79122

# Interior Ventilation Filter Installation

## *Ford Escape Hybrid, Mazda Tribute Hybrid, Mercury Mariner Hybrid*

Battery cooling filter is located behind the driver's side seat inside the driver's side panel.

1. Turn ignition to the off position. You may have to enter through the rear passenger side door to locate the filter access panel.

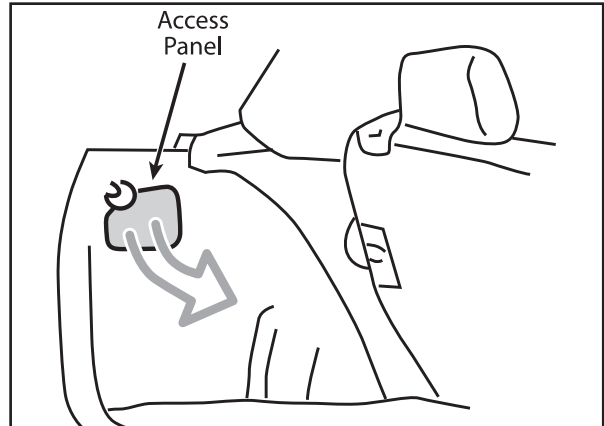


Figure 1

2. Remove filter housing access panel behind the driver's side seat. (See Figure 1)
3. Push the tabs located on each side of the filter and remove from housing. (See Figure 2)

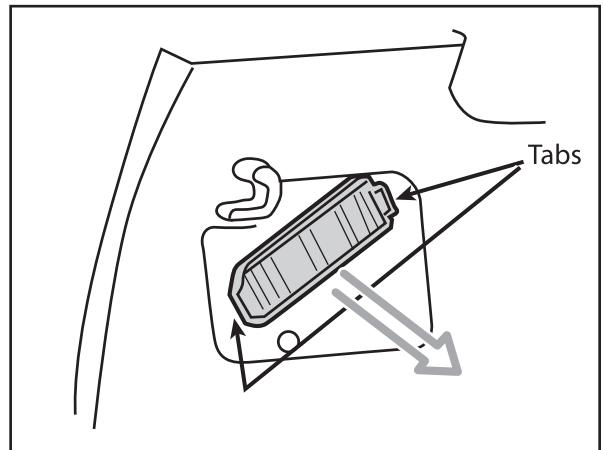


Figure 2

4. Installation is in the reverse order of removal.

*Approximate Installation Time:  
10 minutes.*

**atp**  
professional auto parts®

1300 Pratt Boulevard  
Elk Grove Village, Illinois 60007  
Phone: 847-967-6790 Fax: 847-967-8686  
www.atp-inc.com • TRANSNET: 79122

# Interior Ventilation Filter Installation

## Lincoln LS

Interior ventilation filter is located underneath passenger side cowl cover underneath vehicle hood

1. Turn ignition key on and allow the windshield wipers to point straight up. Turn ignition key to off position. Remove the (2) wiper arms.
2. Carefully pop-up the (9) cowl cover retaining pins from the cowl cover. (See Figure 1)
3. Gently raise the front portion of the cowl cover to disengage the (8) securing clips and set aside the cowl cover. (See Figure 2)
4. Remove the vent filter housing cover and pull the filter straight up. (See Figure 3)
5. Install in the reverse order of removal.

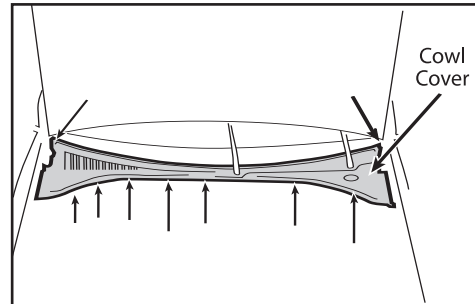


Figure 1

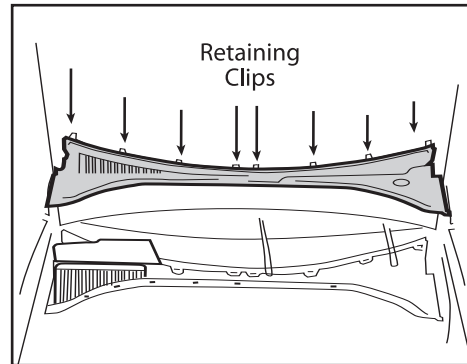


Figure 2

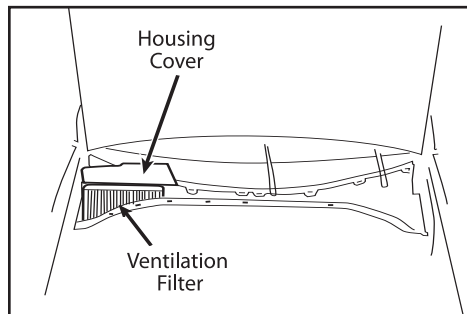


Figure 3

*Approximate Installation Time: 20 Minutes*

**atp**  
professional auto parts®

1300 Pratt Boulevard  
Elk Grove Village, Illinois 60007  
Phone: 847-967-6790 Fax: 847-967-8686  
www.atp-inc.com • TRANSNET: 79122

# Interior Ventilation Filter Installation

## *Ford Edge, Lincoln MKX*

**Interior Ventilation Filter Is Located Behind Glove Box Door Inside Filter Housing.**

- 1. Open glove box door and depress the rear glove box door panel clips to remove the rear panel. (See Figure 1)**
- 2. Depress the housing cover clip to remove the filter housing cover and remove filter housing cover. (See Figure 2)**
- 3. Slide filter out of housing. (See Figure 3)**
- 4. Installation is in the reverse order of removal.**

*Approximate install time: 10 minutes*



Figure 1

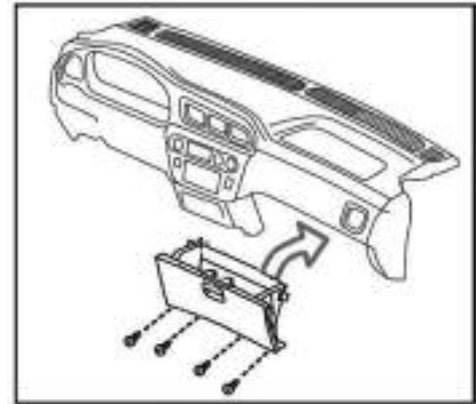


Figure 2

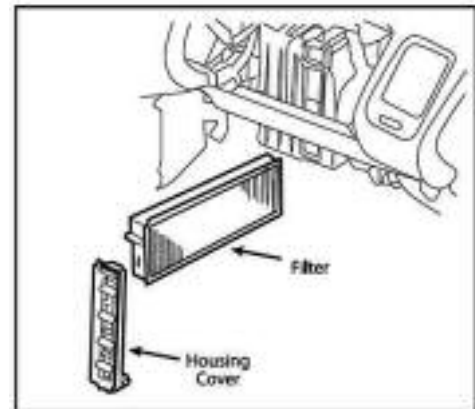


Figure 3

**atp**  
professional auto parts®

1300 Pratt Boulevard  
Elk Grove Village, Illinois 60007  
Phone: 847-967-6790 Fax: 847-967-8686  
www.atp-inc.com • TRANSNET: 79122

# Interior Ventilation Filter Installation

## ***Ford Escape, Escape Hybrid, Mazda Tribute, Tribute Hybrid, Mercury Mariner, Mariner Hybrid***

**Interior Ventilation Filter Is Located Underneath Passenger Side Cowl Cover.**

- 1. Position the vehicle's windshield wipers to the up position, open and secure hood.**
- 2. Remove (7-8) plastic cowl retaining pins located on the front edge of the cowl panel. (See Figure 1)**
- 3. To gain access to the filter housing, lift up on the passenger side cowl panel and open filter housing door. (See Figure 2)**
- 4. Lift filter out of housing.**
- 5. Installation is in the reverse order of removal.**

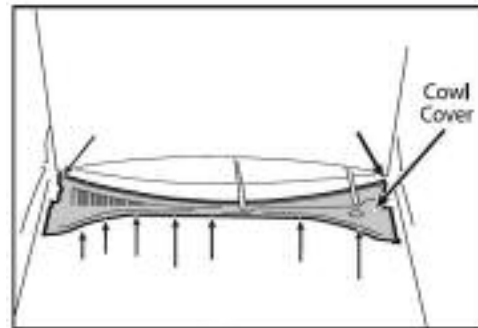


Figure 1

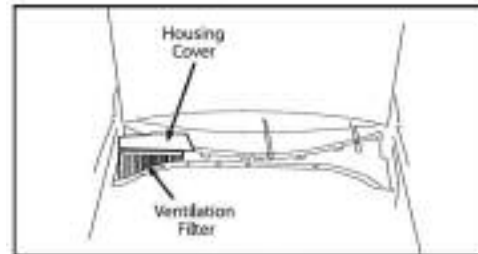


Figure 2

*Approximate install time: 15 minutes*

**atp**  
professional auto parts®

1300 Pratt Boulevard  
Elk Grove Village, Illinois 60007  
Phone: 847-967-6790 Fax: 847-967-8686  
www.atp-inc.com • TRANSNET: 79122

# Interior Ventilation Filter Installation

## Ford Fusion, Lincoln MKZ, Mercury Milan

Interior ventilation filter is located behind glove box compartment, inside filter housing.

1. Open the glove box door. Detach door to allow the door to swing down. (See Figure 1)

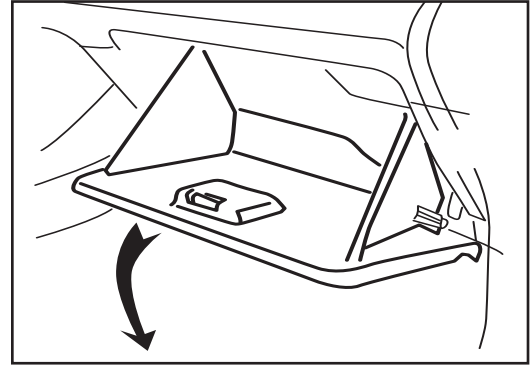


Figure 1

2. Remove the vent filter housing access cover and pull filter out towards you. (See Figure 2)  
(Right hand flap of the upper filter may have to be folded down to clear the filter from the glove box compartment damper during the removal and installation of the filter.)

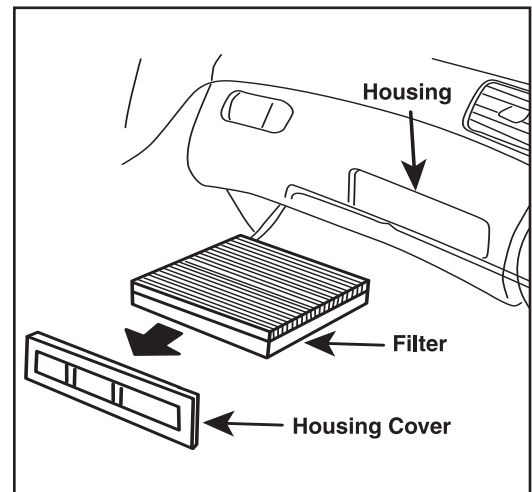


Figure 2

3. Installation is in the reverse order of removal.

*Approximate install time: 10 minutes*

**atp**  
professional auto parts®

1300 Pratt Boulevard  
Elk Grove Village, Illinois 60007  
Phone: 847-967-6790 Fax: 847-967-8686  
www.atp-inc.com • TRANSNET: 79122

# **Interior Ventilation Filter Installation**

## ***Ford Flex, Taurus, Lincoln MKS, MKT***

Interior ventilation filter is located behind glove box compartment, inside filter housing.

- 1. Open the glove box door. Push in on both inner sides of the door to detach the door stops. Allow the door to swing down. (See Figure 1)**

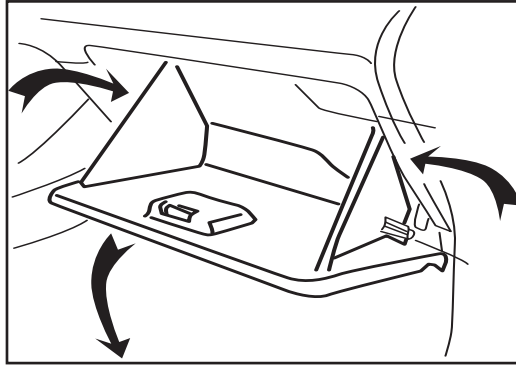


Figure 1

- 2. Remove the vent filter housing access cover and pull filter out towards you. (See Figure 2)**

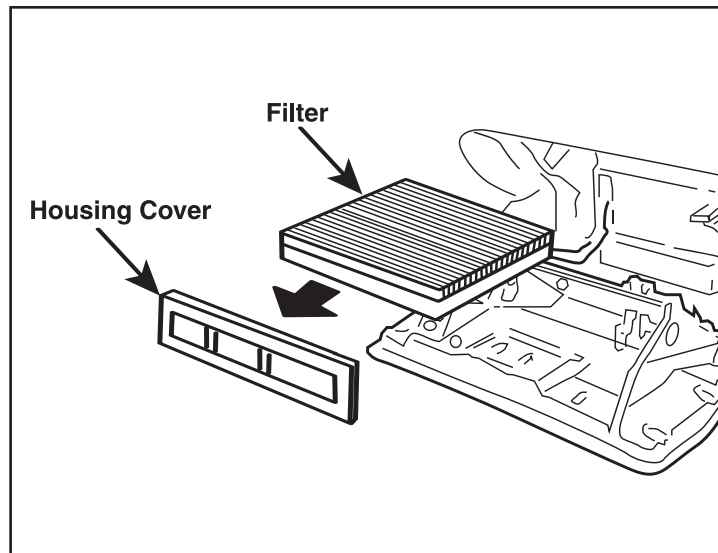


Figure 2

- 3. Installation is in the reverse order of removal.**

***Approximate install time:  
10 minutes***

**atp**  
*professional auto parts®*

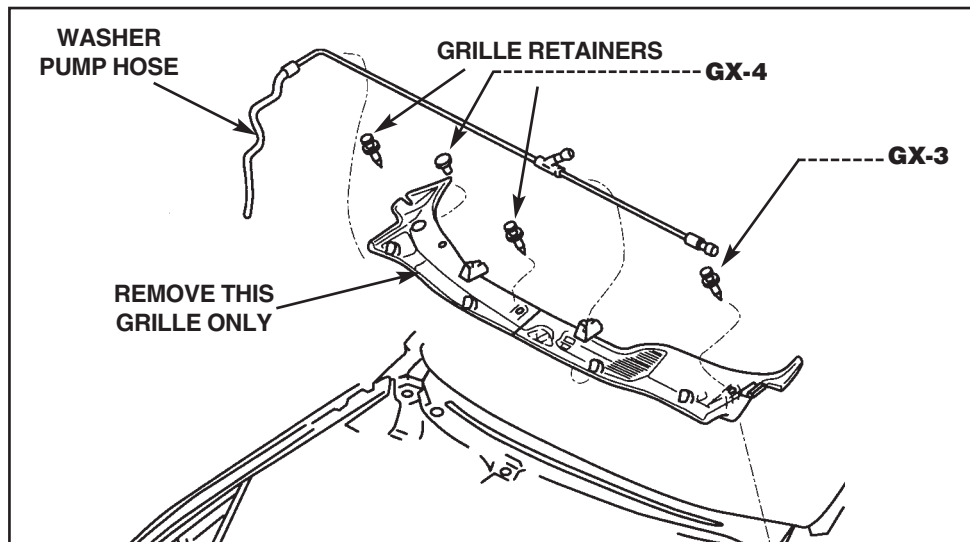
1300 Pratt Boulevard  
Elk Grove Village, Illinois 60007  
Phone: 847-967-6790 Fax: 847-967-8686  
www.atp-inc.com • TRANSNET: 79122

# Interior Ventilation Filter Installation

## *Century, Regal, LaCrosse/Allure, Intrigue, Impala, Monte Carlo, Grand Prix*

1. Turn off engine with the windshield wipers in the up position.
2. Lift hood.
3. Remove the windshield washer pump hose from the air inlet grille (passenger's side).
4. Remove hood seal from passenger side cowl.
5. Remove the air inlet grille retainers (ATP Part Nos. GX-3 and GX-4) and grille. (For 2000 Monte Carlo and Impala, remove air deflector).
6. Remove filter and replace with new filter. (For 2000 Monte Carlo and Impala, replace air deflector).
7. Reinstall grille and retainers.
8. Reconnect the windshield washer pump hose.
9. Reinstall hood seal.

*Approximate Installation Time: 20 Minutes*



**atp**  
professional auto parts®

1300 Pratt Boulevard  
Elk Grove Village, Illinois 60007  
Phone: 847-967-6790 Fax: 847-967-8686  
www.atp-inc.com • TRANSNET: 79122

# Interior Ventilation Filter Installation

**LeSabre, Bonneville, Aurora, DeVille, DTS, Lucerne**

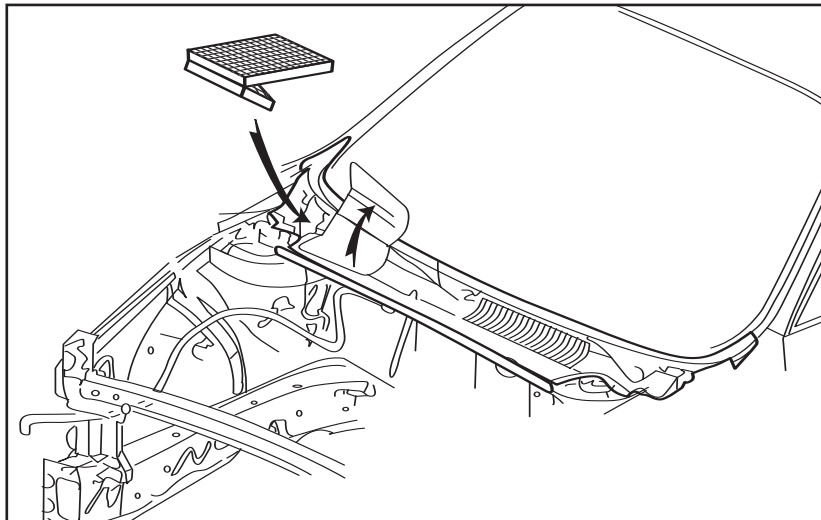
*The interior ventilation filter is located underneath a panel near the passenger side of the windshield.*

- 1. Open the hood and locate the interior ventilation filter door.**
- 2. Open the door and pull out the filter. Tip: push the retaining tab on the filter housing to release the filter.**
- 3. Install the new filter. Start installing by pushing the tab on the filter housing.**

**Tip: this filter folds; fold the filter in the way it would sit after installation, with the longer part on the top. Push the top fold in first and guide the lower portion into its slot as more of the top portion is inserted in its slot.**

- 4. Close the interior ventilation door.**

**Approximate Installation Time: 25 Minutes**



**atp**  
professional auto parts®

1300 Pratt Boulevard  
Elk Grove Village, Illinois 60007  
Phone: 847-967-6790 Fax: 847-967-8686  
www.atp-inc.com • TRANSNET: 79122

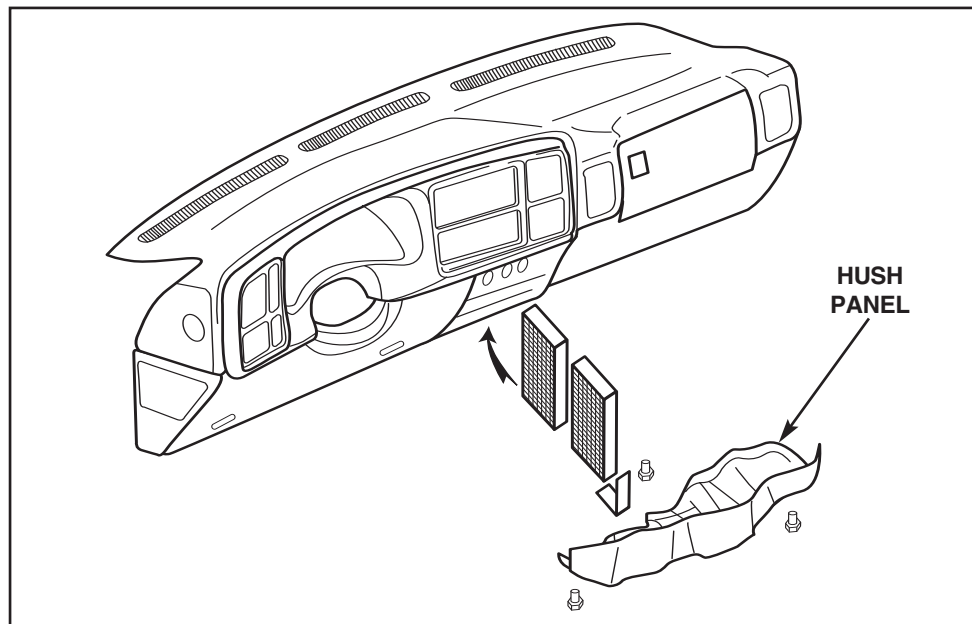
# **Interior Ventilation Filter Installation**

## ***Chevrolet/GMC Sierra, Silverado, Suburban, Tahoe, Yukon, Avalanche, Denali, Cadillac Escalade***

*Interior ventilation filters are located underneath the center portion of the instrument panel.*

- 1. Remove the HVAC hush panel. Screws hold it on.**
- 2. Remove the screw that secures the filter retaining bracket. It is located underneath the center portion of the instrument panel.**
- 3. Pull down the first filter. Reach in and pull the second filter towards the rear of the vehicle and then down.**
- 4. Install the new filters in the reverse order of removal.**

***Approximate Installation Time: 25 Minutes***



**atp**  
professional auto parts®

1300 Pratt Boulevard  
Elk Grove Village, Illinois 60007  
Phone: 847-967-6790 Fax: 847-967-8686  
www.atp-inc.com • TRANSNET: 79122

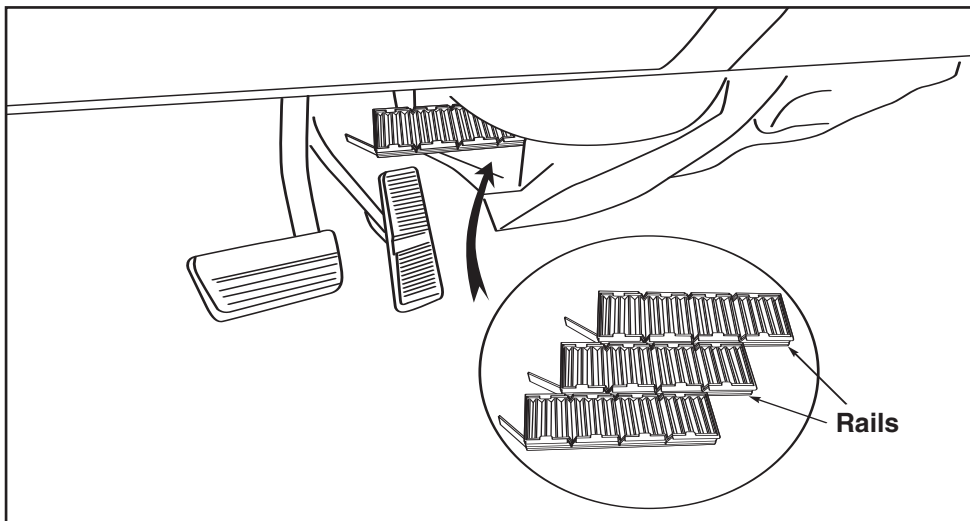
# **Interior Ventilation Filter Installation**

## ***Buick Park Avenue, Cadillac Seville***

The filter is located under the dashboard, to the right of the accelerator pedal.

- 1. Locate the filter door. Pull door down to open.**
- 2. The filter is removed in three parts. The filter opening allows only one part of the filter to be removed at a time (see illustration).**
- 3. Pull a section of the filter out. Repeat until all three sections are removed (see inset of illustration).**
- 4. Install filters in reverse order of removal. Make sure to engage each filter to the previous one using the rails built into the filters (see inset).**
- 5. Close filter door.**

*Approximate Installation Time: 30-45 Minutes*



**atp**  
*professional auto parts®*

1300 Pratt Boulevard  
Elk Grove Village, Illinois 60007  
Phone: 847-967-6790 Fax: 847-967-8686  
www.atp-inc.com • TRANSNET: 79122

# Interior Ventilation Filter Installation

## *Tracker, Vitara, Grand Vitara/XL-7*

The filter is located behind a panel behind the glove box. Some of these vehicles did not originally come equipped with a filter. You can install a filter on these vehicles.

1. Open glove box.
2. Push in sides of glove box door to lower it until it hangs straight down. (See Figure 1)
3. Remove filter cover by pulling it from the top. (See Figure 2)
4. Remove the top filter, then the lower filter.
5. Replace filters in reverse order of removal.
6. Replace filter cover. It snaps in place.
7. Push in sides of glove box door and close.

*Approximate Installation Time: 30 Minutes*

Figure 1

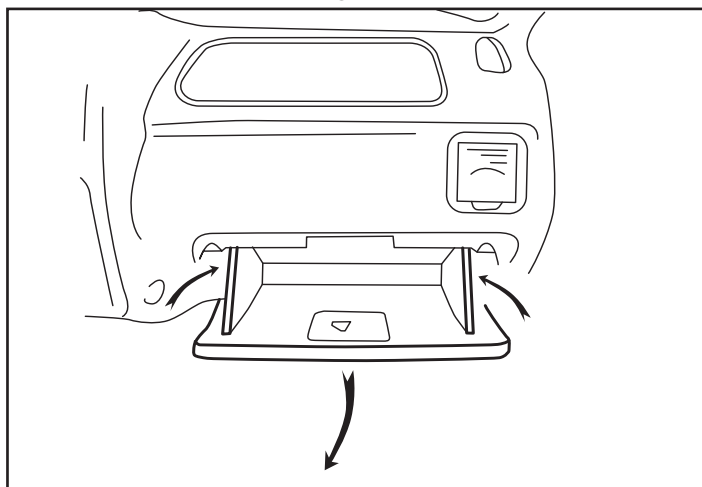
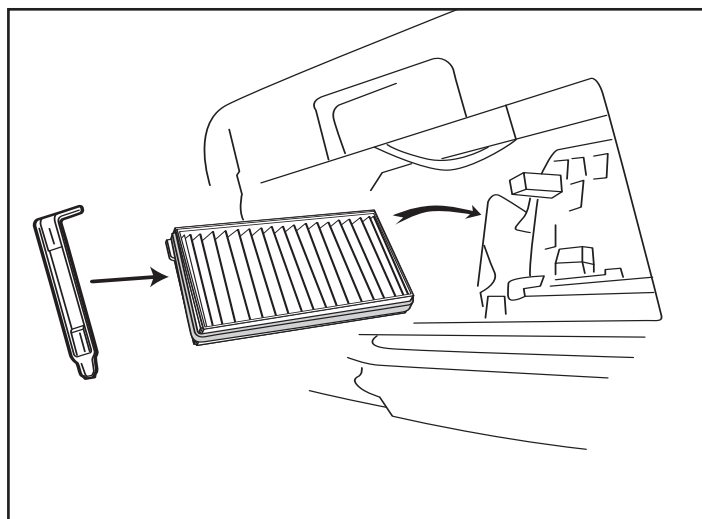


Figure 2



**atp**  
professional auto parts®

1300 Pratt Boulevard  
Elk Grove Village, Illinois 60007  
Phone: 847-967-6790 Fax: 847-967-8686  
www.atp-inc.com • TRANSNET: 79122

# **Interior Ventilation Filter Installation**

## ***Venture, Silhouette, Trans Sport, Montana, Aztek, Rendezvous, Uplander, Relay, Terraza***

- 1. Open glovebox and remove cover at the back of the glovebox.**
- 2. Unlatch door to vent filters.**
- 3. Remove filter that is visible. Another filter is located along side (left) the one just removed. Slide it to the opening and remove.**
- 4. Slide in (2) new filters and close door. Replace cover at the back of the glovebox.**

***Approximate Installation Time: 20 Minutes***

**atp**  
*professional auto parts®*

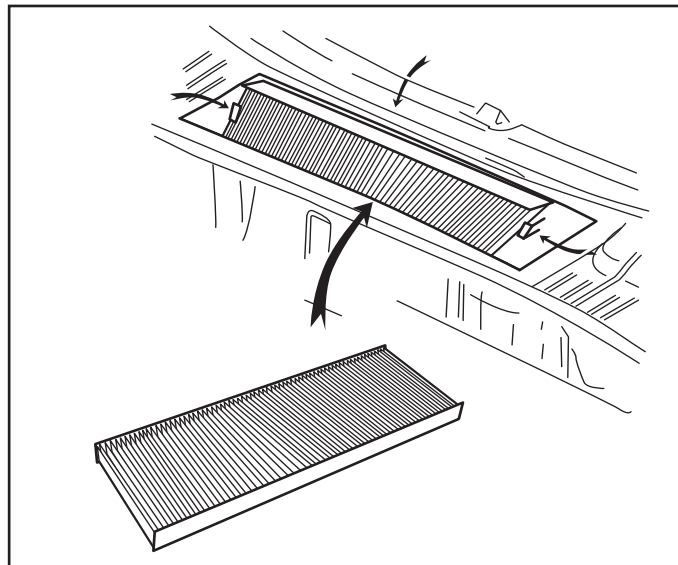
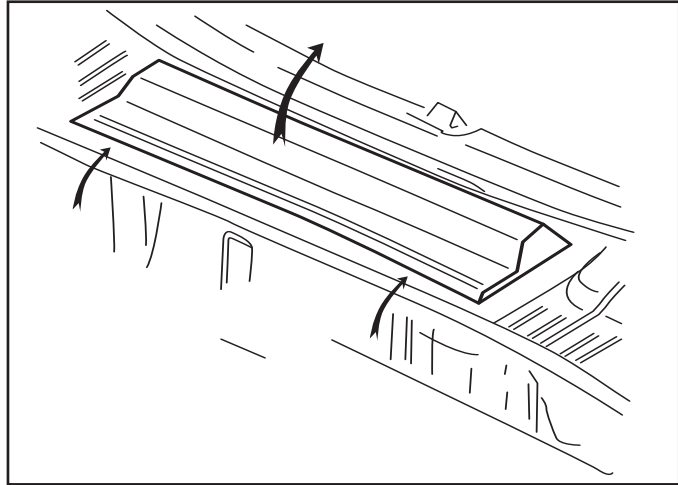
1300 Pratt Boulevard  
Elk Grove Village, Illinois 60007  
Phone: 847-967-6790 Fax: 847-967-8686  
www.atp-inc.com • TRANSNET: 79122

# **Interior Ventilation Filter Installation**

## ***Saturn L Series***

The filter is located behind a door in the center of the cowl panel.

- 1. Open hood.**
- 2. Open door in center of cowl panel. The edge of the door is tucked under the insulation.**
- 3. Release clips on both sides of the filter.**
- 4. Remove filter.**
- 5. Replace filter in reverse order of removal.**



***Approximate Installation  
Time: 20 Minutes***

**atp**  
*professional auto parts®*

**1300 Pratt Boulevard  
Elk Grove Village, Illinois 60007  
Phone: 847-967-6790 Fax: 847-967-8686  
www.atp-inc.com • TRANSNET: 79122**

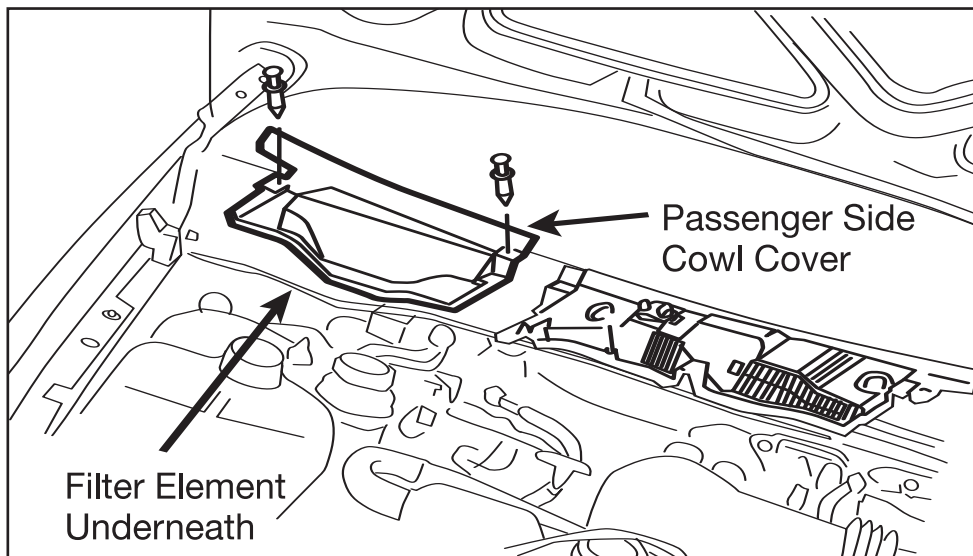
# **Interior Ventilation Filter Installation**

## ***Saturn Vue, Chevrolet Equinox, Pontiac Torrent***

**Filter element is located underneath passenger side cowl cover, under vehicle's hood.**

- 1. Turn ignition to the on position.**
- 2. Turn windshield wipers on, once windshield wipers point up, turn ignition off.**
- 3. Open hood. (Make sure hood is safely secured)**
- 4. Remove (4) retaining pins (ATP Part No. GX-5) from passenger side cowl cover, remove cover.**
- 5. Remove filter element.**
- 6. Install filter element and cowl cover in the reverse order of removal.**

***Approximate Installation Time: 25 Minutes***



**atp**  
*professional auto parts®*

1300 Pratt Boulevard  
Elk Grove Village, Illinois 60007  
Phone: 847-967-6790 Fax: 847-967-8686  
www.atp-inc.com • TRANSNET: 79122

# Interior Ventilation Filter Installation

## *Pontiac Vibe, Toyota Tacoma*

Interior ventilation filter is located behind glove box door inside filter housing.

1. Open the glove box door.
2. Remove the Phillips-type screw located at the right side of the glove box door, slide off connecting rod. (See Figure 1)
3. Push in on each side of the glove box door to release tabs, swing glove box door down. (See Figure 2)
4. Lower filter housing door and remove filter by pulling out towards you. (See Figure 3)
5. Installation is in the reverse order of removal.

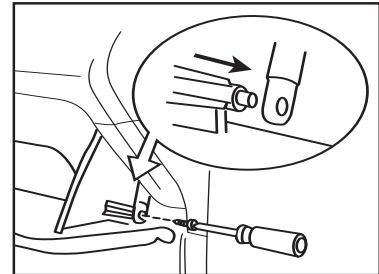


Figure 1

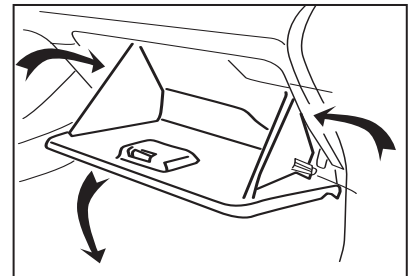


Figure 2

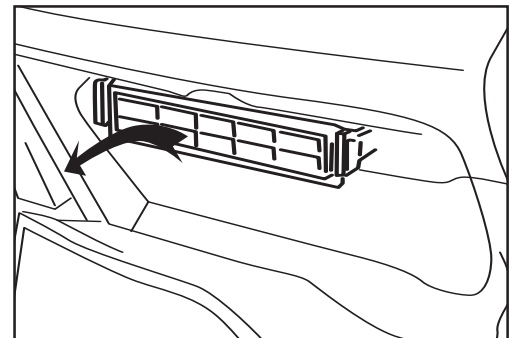


Figure 3

*Approximate Installation Time: 15 Minutes*

**atp**  
professional auto parts®

1300 Pratt Boulevard  
Elk Grove Village, Illinois 60007  
Phone: 847-967-6790 Fax: 847-967-8686  
www.atp-inc.com • TRANSNET: 79122

# Interior Ventilation Filter Installation

## Cadillac CTS, SRX, STS

Interior ventilation filter is located inside filter housing under passenger side cowl cover.

1. Open hood.
2. Position windshield wipers so that they are pointing straight up on the windshield. Remove the upper hood rod assist from the hood rod ball stud. Swing hood up so that it can travel to its furthest point. Use a telescopic prop rod to secure vehicle's hood. (See Figure 1)
3. Remove passenger side rear weather strip.
4. Remove the retaining screws securing the passenger side cowl cover. **(Note: Outer rubber end of the cowl cover is tucked under and around the passenger side hood hinge and inner fender flange.)** Slide off passenger side cowl cover. (See Figure 2)
5. Using both hands, release the filter housing cover tabs located on each side of the filter housing cover. Lift up on filter housing cover. (See Figure 3)  
**(Note: Filter housing is located just behind the vehicle's battery.)**
6. Pull interior vent filter straight up out of the housing. (See Figure 4)
7. Install filter by making sure airflow arrow is pointed in the right direction and the filter is positioned correctly inside the filter housing guides. Install housing cover, cowl cover and hood weather strip in the reverse order of removal.

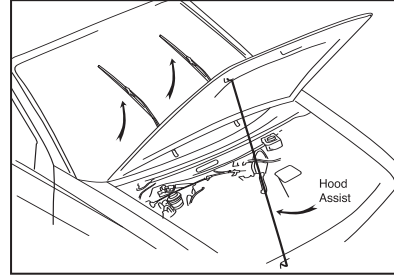


Figure 1

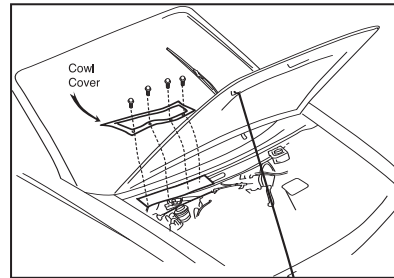


Figure 2

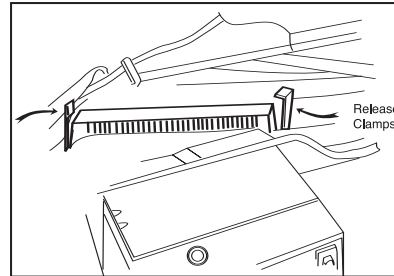


Figure 3

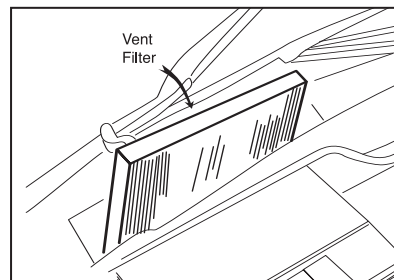


Figure 4

**Approximate Installation Time: 30 Minutes**

**atp**  
professional auto parts®

1300 Pratt Boulevard  
Elk Grove Village, Illinois 60007  
Phone: 847-967-6790 Fax: 847-967-8686  
www.atp-inc.com • TRANSNET: 79122

# **Interior Ventilation Filter Installation**

## ***Chevrolet Cobalt, Pontiac Pursuit, G5, Saturn Ion***

Interior vent filter is located in filter housing behind the glove compartment.

- 1. Open the glove compartment door.**
- 2. Tilt the glove compartment door down by squeezing on each side of the bin to remove the stops from its tracks. Lower compartment door completely down. (See Figure 1)**
- 3. Reach through opening to gain access to the filter housing door. Raise the tab until the filter housing door can be opened downward.**
- 4. Slide interior vent filter out of its housing. (See Figure 2)**
- 5. Installation is in the reverse order of removal.**

Figure 1

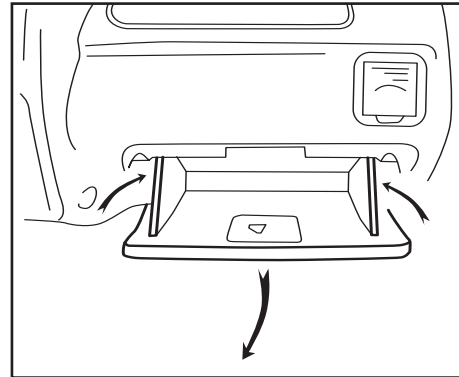
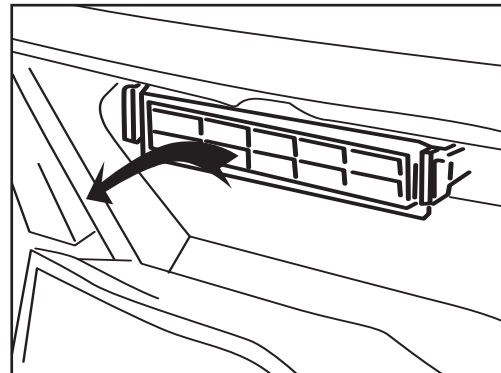


Figure 2



*Approximate Installation Time: 20 Minutes*

**atp**  
professional auto parts®

1300 Pratt Boulevard  
Elk Grove Village, Illinois 60007  
Phone: 847-967-6790 Fax: 847-967-8686  
www.atp-inc.com • TRANSNET: 79122

# Interior Ventilation Filter Installation

## *Chevrolet HHR*

Interior ventilation filter is located inside filter housing behind glove box compartment door.

- 1. Remove glove box door screw located at the lower right hand side of the glove box door. (See Figure 1)**
- 2. Squeeze the sides of the compartment door to release from the stops and detach the door from the instrument panel. (See Figure 2)**
- 3. Remove the filter housing front cover and slide filter out of the housing. (See Figure 3)**
- 4. Installation is in the reverse order of removal.**

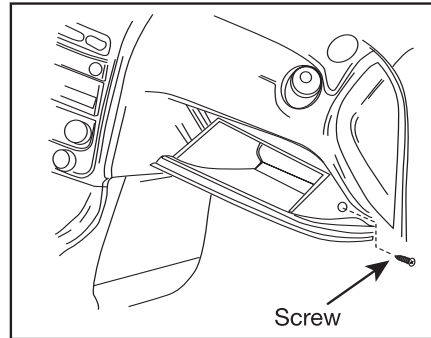


Figure 1

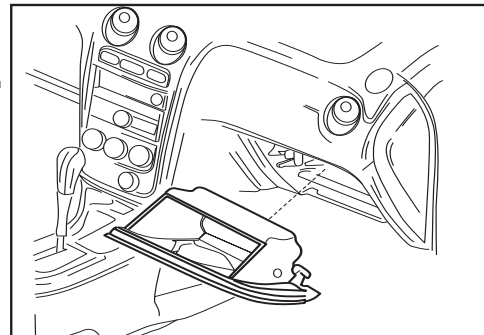


Figure 2

*Approximate  
Installation Time:  
25 Minutes*

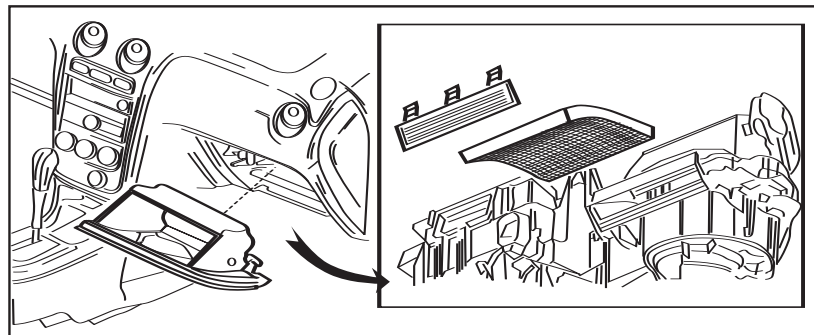


Figure 3

**atp**  
*professional auto parts®*

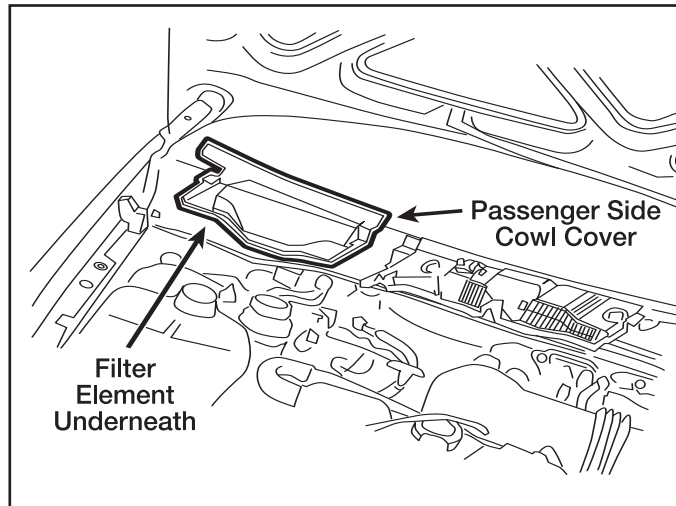
1300 Pratt Boulevard  
Elk Grove Village, Illinois 60007  
Phone: 847-967-6790 Fax: 847-967-8686  
www.atp-inc.com • TRANSNET: 79122

# **Interior Ventilation Filter Installation**

## ***Cadillac Catera***

**Filter is located on the passenger side cowl area underneath the filter housing cover.**

- 1. Open hood. Pull and set aside the weatherstrip on passenger side.**
- 2. Flip open the vent filter housing cover and pull retaining clips from vent filter.  
(See Figure 1)**
- 3. Install filter in the reverse order of removal.**



**Figure 1**

***Approximate Installation  
Time: 20 Minutes***

**atp**  
*professional auto parts®*

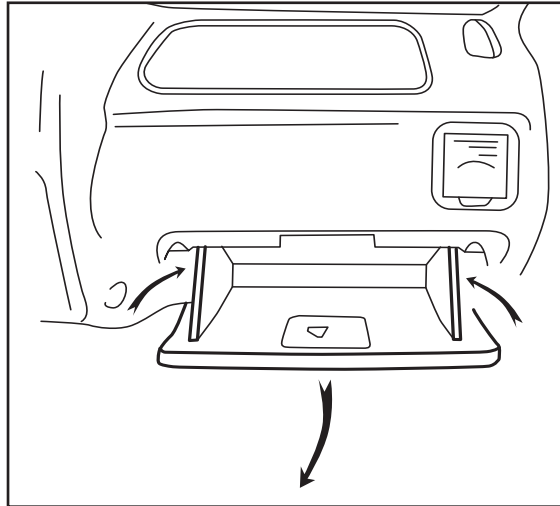
**1300 Pratt Boulevard  
Elk Grove Village, Illinois 60007  
Phone: 847-967-6790 Fax: 847-967-8686  
www.atp-inc.com • TRANSNET: 79122**

# **Interior Ventilation Filter Installation**

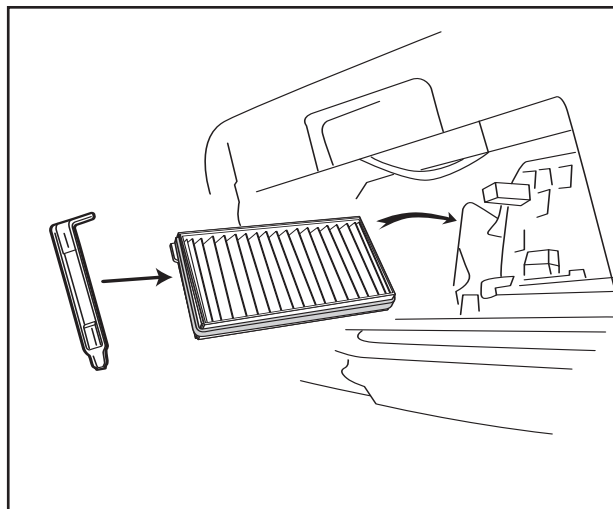
## ***Chevrolet Aveo, Pontiac Wave***

**Filter is located behind glove compartment door inside filter housing.**

- 1. Open glove box drawer halfway down.**
- 2. Grasp the glove box door on the lower and upper sides of the drawer and remove from cavity. (See Figure 1)**
- 3. Press down on filter housing cover tab and remove filter housing cover. (See Figure 2)**
- 4. Install filter, filter housing cover and re-install glove box drawer.**



**Figure 1**



**Figure 2**

***Approximate Installation  
Time: 30 Minutes***

**atp**  
*professional auto parts®*

**1300 Pratt Boulevard  
Elk Grove Village, Illinois 60007  
Phone: 847-967-6790 Fax: 847-967-8686  
www.atp-inc.com • TRANSNET: 79122**

# **Interior Ventilation Filter Installation**

## ***Chevrolet Corvette, Cadillac XLR***

**Interior ventilation filter is located inside filter housing underneath passenger side cowl cover under vehicle hood.**

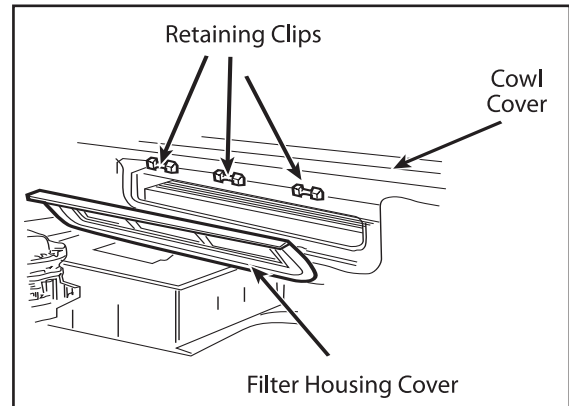
**Open hood.**

**Release (3) filter housing cover retaining clips and remove the filter housing cover. (See Figure 1)**

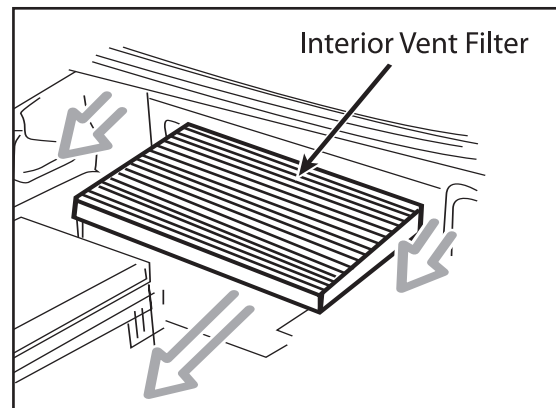
**Slide vent filter out towards the front of the vehicle. (See Figure 2)**

**Installation is in the reverse order of removal.**

***Approximate Installation Time:  
10 Minutes***



**Figure 1**



**Figure 2**

**atp**  
*professional auto parts®*

**1300 Pratt Boulevard  
Elk Grove Village, Illinois 60007  
Phone: 847-967-6790 Fax: 847-967-8686  
www.atp-inc.com • TRANSNET: 79122**

# Interior Ventilation Filter Installation

## Saturn Vue

**Interior Ventilation Filter Is Located Behind The Glove Box Compartment Door.**

- 1. Open glove box door. Remove (3) upper and lower compartment door mounting screws and remove compartment. (See Figure 1)**
- 2. Release the filter housing cover tabs to remove the housing cover.**
- 3. Slide filter out towards you to remove filter. (See Figure 2)**
- 4. Installation is in the reverse order of removal.**

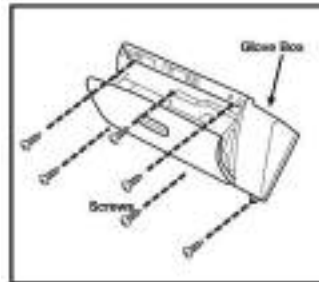


Figure 1

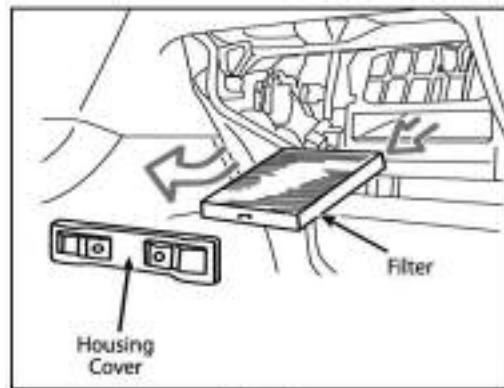


Figure 2

**Approximate install time: 10 minutes**

**atp**  
professional auto parts®

1300 Pratt Boulevard  
Elk Grove Village, Illinois 60007  
Phone: 847-967-6790 Fax: 847-967-8686  
www.atp-inc.com • TRANSNET: 79122

# Interior Ventilation Filter Installation

## Pontiac G8

Interior ventilation filter is located under the hood, underneath passenger side cowl panel.

1. Open and secure hood. Remove (6) fasteners from the passenger side access panel. (See Figure 1) Note: Removal of the windshield wiper arms maybe required.
2. Release (6) fastener retainers from the access panel and remove the panel. (See Figure 2)
3. Lift up and remove the filter from the filter housing. (See Figure 3)
4. Installation is in the reverse order of removal.

*Approximate install time: 25 minutes*

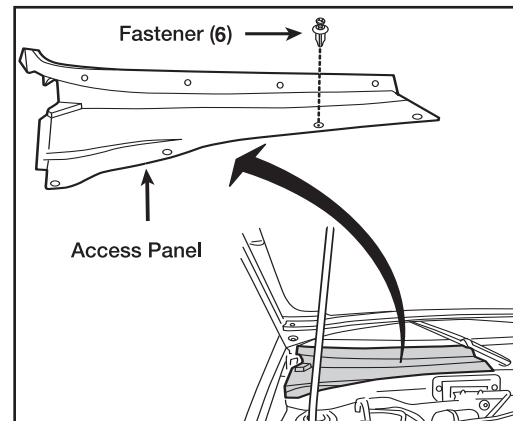


Figure 1

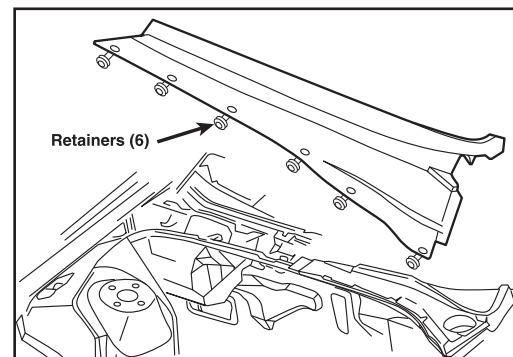


Figure 2

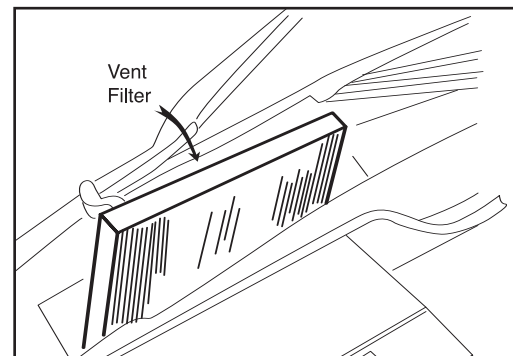


Figure 3

**atp**  
professional auto parts®

1300 Pratt Boulevard  
Elk Grove Village, Illinois 60007  
Phone: 847-967-6790 Fax: 847-967-8686  
www.atp-inc.com • TRANSNET: 79122

# Interior Ventilation Filter Installation

## Various General Motors Trucks/SUVs

Interior ventilation filter is located above the passenger side hush panel inside the HVAC housing.

**Note:** Starting in 2003 model year, the passenger interior ventilation filter is no longer available as a factory option. With the redesigned HVAC case, on some models there is no cavity for the filter. There is a replacement filter. However, some models will not have a provision for the filter.

**1. Remove the passenger side hush panel mounting screws and remove the hush panel. (See Figure 1)**

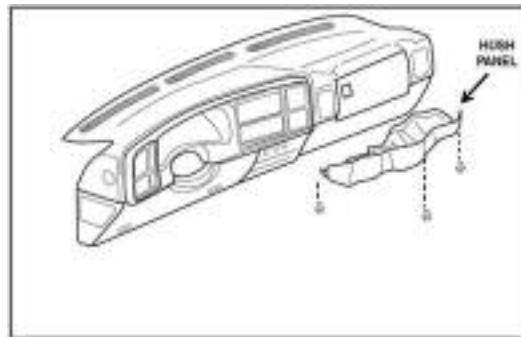


Figure 1

**2. Unclip the filter housing cover at the front of the cover and swing the cover to the right of the housing. Slide filter down. (See Figure 2)**

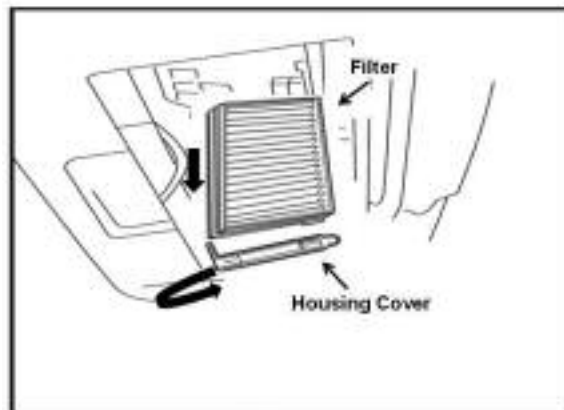


Figure 2

**3. Installation is in the reverse order of removal.**

**Approximate install time: 10 minutes**

**atp**  
professional auto parts®

1300 Pratt Boulevard  
Elk Grove Village, Illinois 60007  
Phone: 847-967-6790 Fax: 847-967-8686  
www.atp-inc.com • TRANSNET: 79122

# Interior Ventilation Filter Installation

## Saturn Astra

Interior ventilation filter is located behind the glove box compartment assembly.

1. Open the glove box door. Remove (4) glove box compartment mounting screws and disconnect the lighting electrical harness. (See Figure 1)
2. Remove the passenger side lower kick-panel screws and remove the kick-panel. (See Figure 2)
3. Remove the passenger's ventilation air duct and remove the body rivet. (See Figure 3)
4. Detach the vent filter housing cover from housing and slide the filter out of housing. (See Figure 4)
5. Install filter, housing cover, air duct and remaining assemblies in the reverse order of removal.

*Approximate install time: 15 minutes*

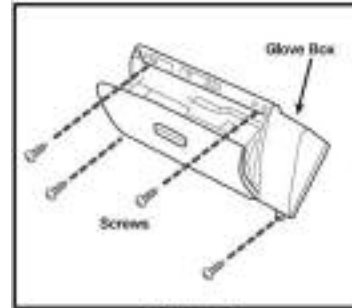


Figure 1

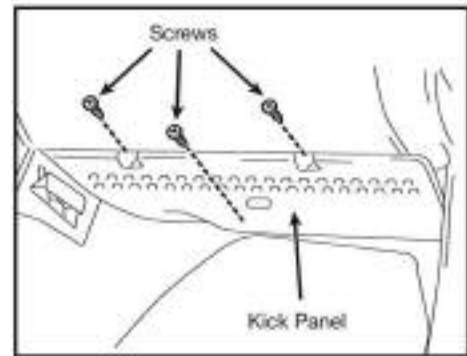


Figure 2

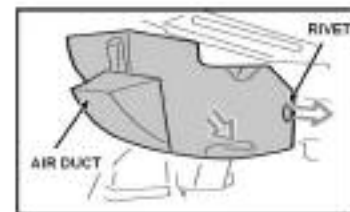


Figure 3

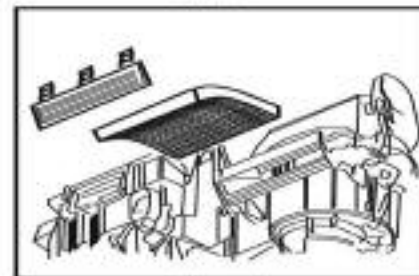


Figure 4

**atp**  
professional auto parts®

1300 Pratt Boulevard  
Elk Grove Village, Illinois 60007  
Phone: 847-967-6790 Fax: 847-967-8686  
www.atp-inc.com • TRANSNET: 79122

# Interior Ventilation Filter Installation

## Accord and 3.2TL

1. With the passenger door open, remove fuse panel door (see Figure 1).
2. Remove lower dashboard panel screw and the two upper screws (see Figure 2).
3. Remove lower dashboard panel.
4. With glove box door open, remove two glove box retaining screws (located under plastic flaps near the top of the compartment on either side).
5. Remove the two lower glove box retaining screws.
6. Remove glove box.
7. Remove glove box frame bolt and screws. Remove glove box frame (see Figure 3).
8. Remove filter cover. Remove the lower filter first, then remove the upper filter (see Figure 4).
9. Remove filters from the filter frames.
10. Install new filters (2) in reverse order of removal.
11. Reinstall filter cover and glove box frame.
12. Reinstall glove box in reverse order of removal.

**Approximate Installation Time: 30-45 Minutes**

Figure 1

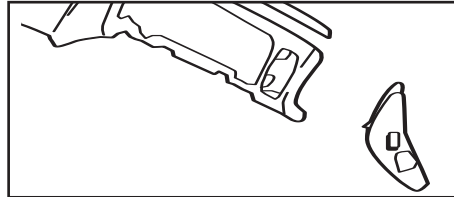


Figure 2

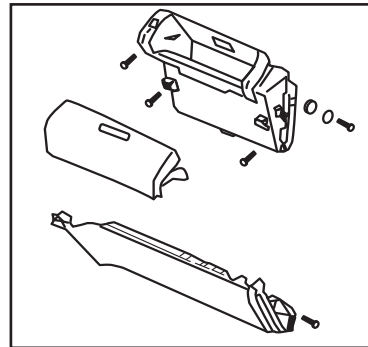


Figure 3

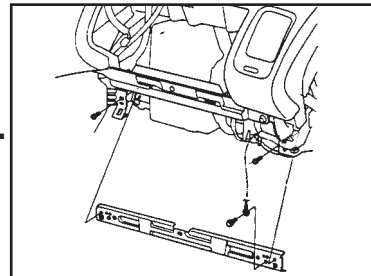
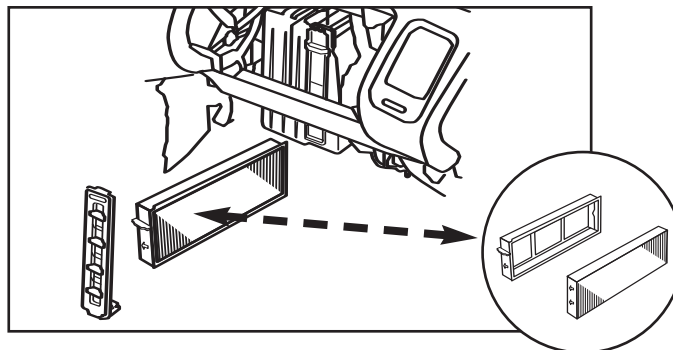


Figure 4



**atp**  
professional auto parts®

1300 Pratt Boulevard  
Elk Grove Village, Illinois 60007  
Phone: 847-967-6790 Fax: 847-967-8686  
www.atp-inc.com • TRANSNET: 79122

# Interior Ventilation Filter Installation

## *CR-V, Insight, Odyssey, Pilot, Acura MDX*

1. With the glove box open, remove the glove box stays from both sides (see Figure 1).
2. Remove the two glove box retaining screws from underneath the glove box (see Figure 1).
3. Remove glove box.
4. Remove glove box frame bolt and screws. Remove glove box frame (see Figure 2).
5. A horizontal section of the dash obstructs the filter door. This section can be cut and removed to service the filter. Discard the cut section.
6. Remove filter cover, then remove filter (see Figure 3).
7. Remove filter from the filter frame (CR-V only).
8. Install new filter in reverse order of removal.
9. Reinstall filter cover and glove box frame.
10. Reinstall glove box in reverse order of removal.

**Approximate  
Installation Time:  
30-45 Minutes**

Figure 1

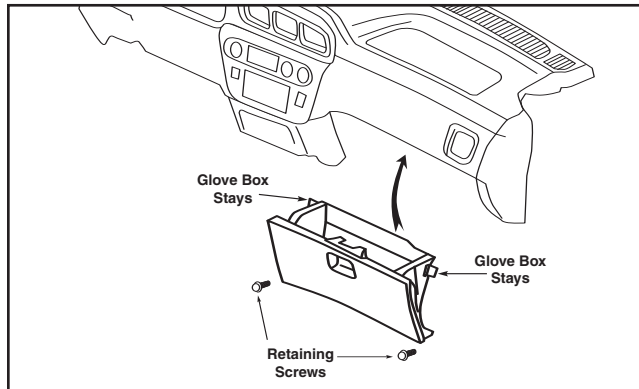


Figure 2

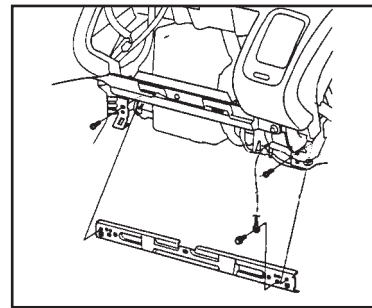
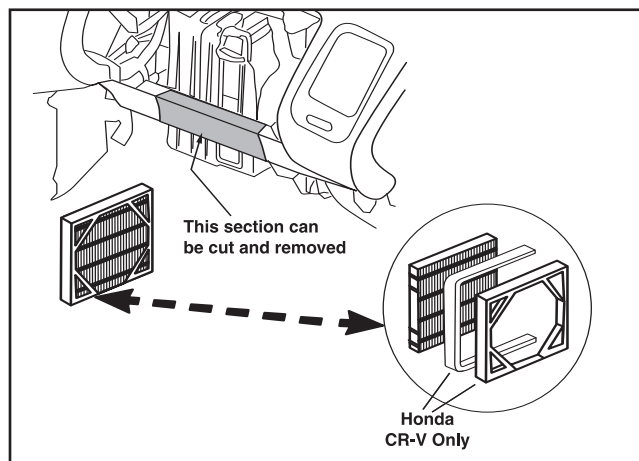


Figure 3



**atp**  
professional auto parts®

1300 Pratt Boulevard  
Elk Grove Village, Illinois 60007  
Phone: 847-967-6790 Fax: 847-967-8686  
www.atp-inc.com • TRANSNET: 79122

# Interior Ventilation Filter Installation

## *Honda Civic, CR-V, Element, Acura RSX*

1. Open the glove box.
2. Pull the tabs on both sides of the glove box in order to open it so the door pulls all the way down. (See Figure 1)
3. Remove the filter cover, it is located behind the glove box.
4. Remove the first filter then slide the second filter to the opening and then remove. (See Figure 2)
5. Install the filters and filter cover in the reverse order of removal.

**Approximate  
Installation Time:  
20 Minutes**

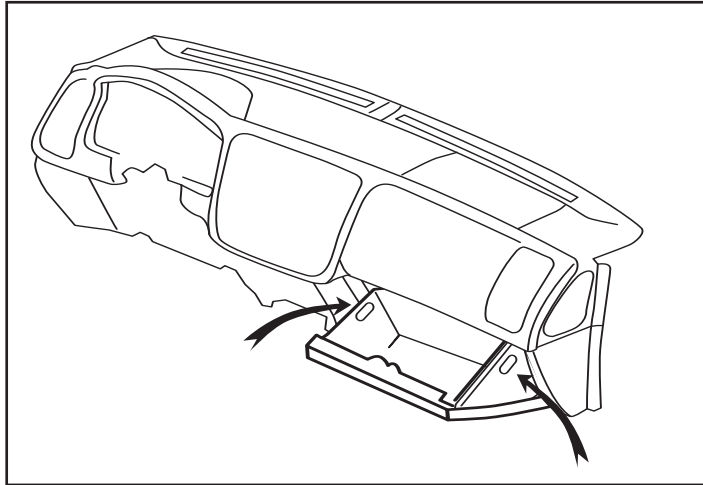


Figure 1

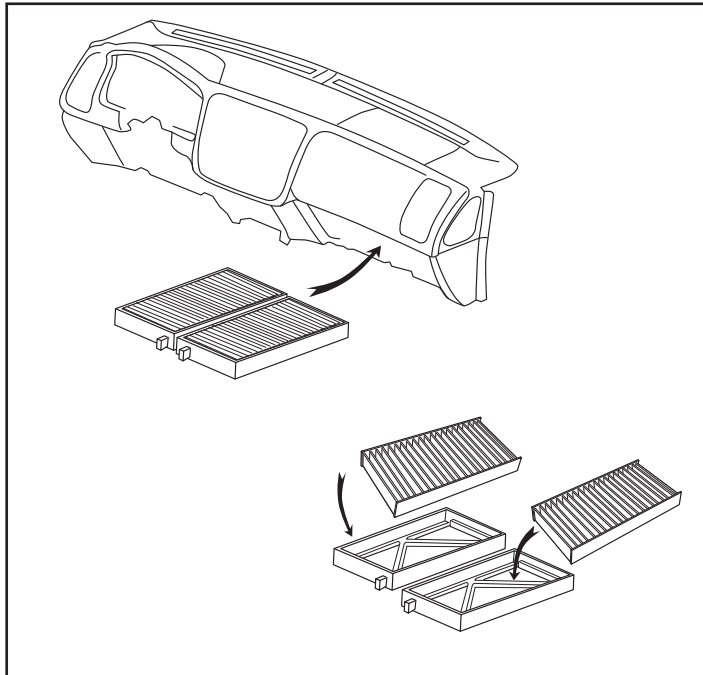


Figure 2

**atp**  
*professional auto parts®*

1300 Pratt Boulevard  
Elk Grove Village, Illinois 60007  
Phone: 847-967-6790 Fax: 847-967-8686  
www.atp-inc.com • TRANSNET: 79122

# Interior Ventilation Filter Installation

## *Acura RDX, TL, TSX, Honda Accord, Civic, CR-V*

Interior ventilation filter is located in filter housing behind glove compartment door.

1. Open glove box door. Grasp and pull down on the glove door holding rod located on the right side of the glove box door. (See Figure 1)
2. Insert a flat-tip screw driver to the glove box door stays and gently apply pressure towards the inside of the door to remove glove box door stays. Swing glove box door downwards. (See Figure 2)
3. (Certain 2004 Models) push the center hole of (2) push pins located on the left and right side of the glove compartment cover to unlock them and pull them out. Once the pins are out, slowly remove the glove box compartment cover from the right hand side. There are close to (10) clamp pins that will come out one by one. Disconnect (2) electrical connectors from glove compartment cover and remove cover. (See Figure 3)
4. Remove filter housing cover and slide filter out of housing. (See Figure 4)
5. Installation is in the reverse order of removal.

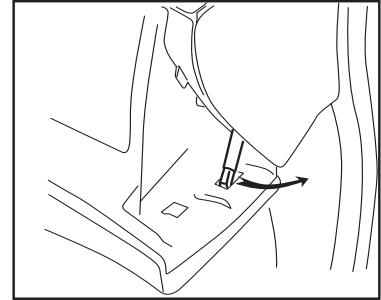


Figure 1

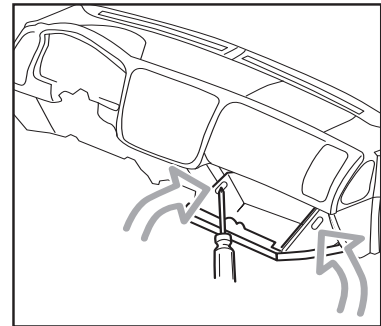


Figure 2

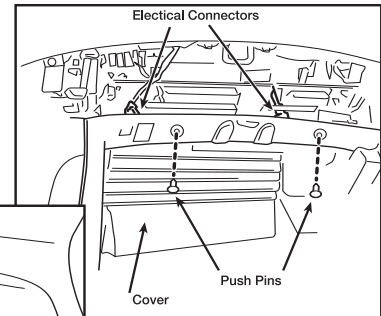


Figure 3

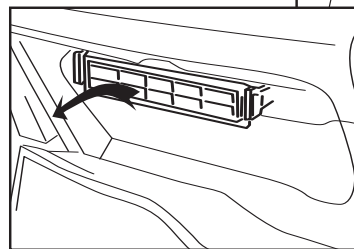


Figure 4

*Approximate Installation  
Time: 30-45 Minutes*

**atp**  
professional auto parts®

1300 Pratt Boulevard  
Elk Grove Village, Illinois 60007  
Phone: 847-967-6790 Fax: 847-967-8686  
www.atp-inc.com • TRANSNET: 79122

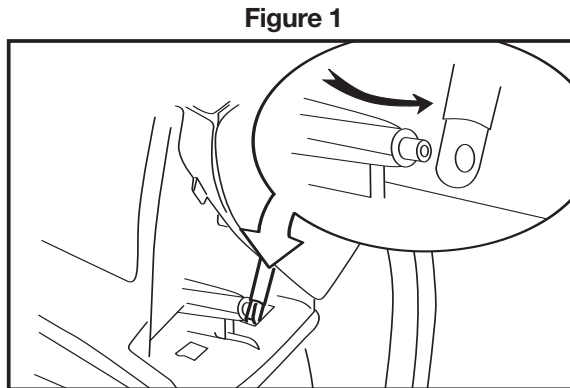
# Interior Ventilation Filter Installation

## *Acura MDX, RL, Honda Odyssey, Ridgeline*

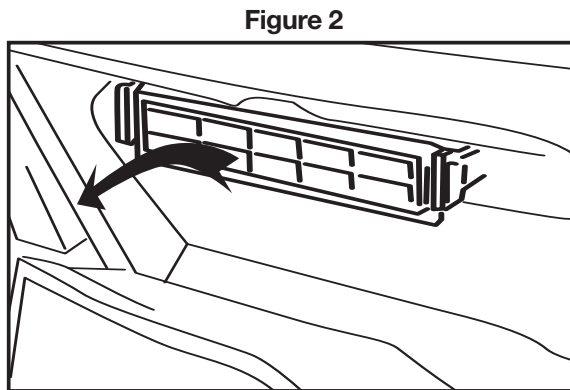
Interior ventilation filter is located behind glove box door inside filter housing.

1. Open glove box door and remove the door damper to allow the glove box door to hang down.

(See Figure 1)

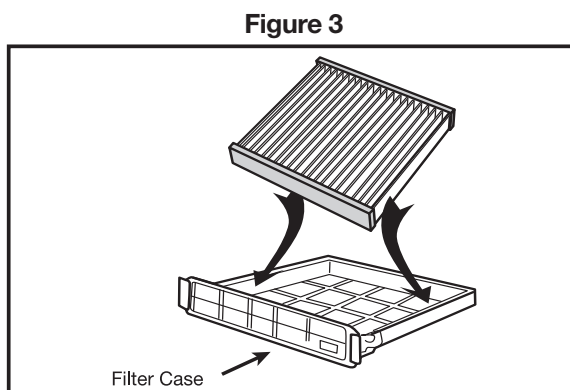


2. Remove filter frame from housing. (See Figure 2)



3. Lift filter element from frame.

(See Figure 3)



4. Installation is in the reverse order of removal.

*Approximate Installation Time:*  
*20 Minutes*

**atp**  
professional auto parts®

1300 Pratt Boulevard  
Elk Grove Village, Illinois 60007  
Phone: 847-967-6790 Fax: 847-967-8686  
www.atp-inc.com • TRANSNET: 79122

# Interior Ventilation Filter Installation

## Honda S2000

Interior ventilation filter is located underneath the passenger side cowl cover.

1. Raise and support the hood.
2. Remove (2) cowl cover retaining pins. Remove the weather-strip and raise the cowl cover. (See Figure 1)
3. Remove the filter and frame out of housing and replace the filter. (See Figure 2)
4. Installation is in the reverse order of installation.

*Approximate install time: 15 minutes*

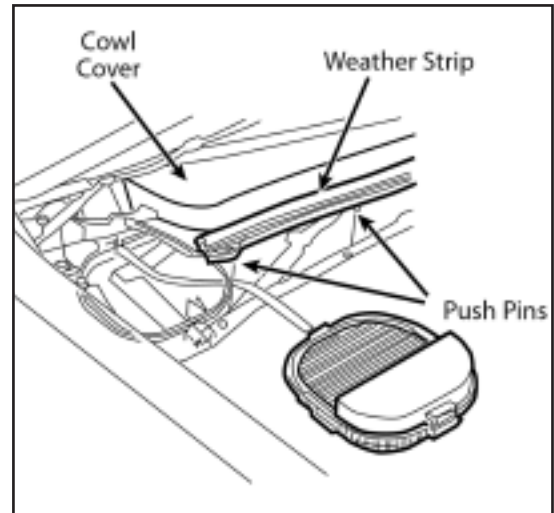


Figure 1

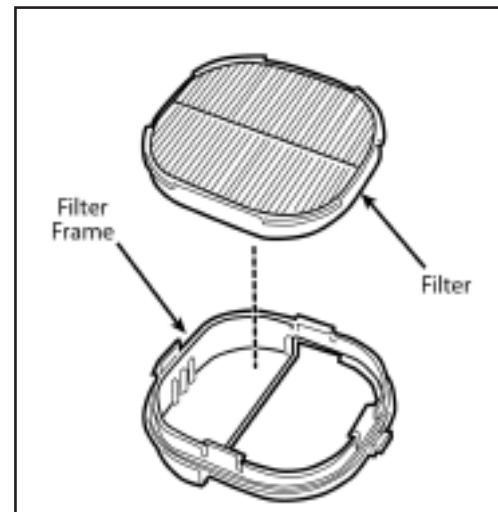


Figure 2

**atp**  
professional auto parts®

1300 Pratt Boulevard  
Elk Grove Village, Illinois 60007  
Phone: 847-967-6790 Fax: 847-967-8686  
www.atp-inc.com • TRANSNET: 79122

# Interior Ventilation Filter Installation

## Acura RL

Interior ventilation filter is located behind glove box door inside the cooling housing compartment.

Detach the retaining clips from the passenger side kick panel underneath the glove box door and remove kick panel. (See Figure 1)

Open and swing down glove box door. Unscrew (2) retainer bolts and use a flat-head screwdriver to apply pressure to the snap clips. Unplug the electrical trunk opener connector and remove glove box door assembly. (See Figure 2)

Remove (3) screws from the backing cover and unsnap (4) clips to uninstall the cover. (See Figure 3)

Turn the ignition key on and set the recirculation control to the recirculation mode.

Detach the cooling housing cover to gain access to the vent filters. Slide out the first filter and frame assembly towards you and slightly bend upwards to remove from the second filter and frame assembly. Unhook the first filter assembly from the second filter assembly by detaching it from the lock and hinge of the two filter assemblies. Pull second filter assembly out of the cooling unit. (See Figure 4)

Remove the filters from their frame and reinstall the assembly in the reverse order.

*Approximate Installation Time: 30 Minutes*

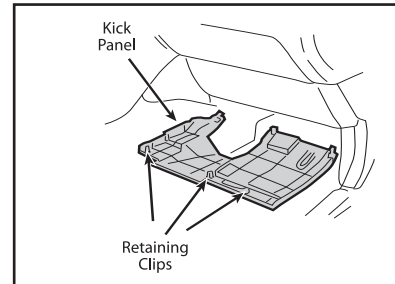


Figure 1

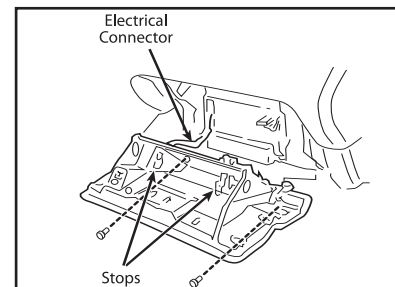


Figure 2

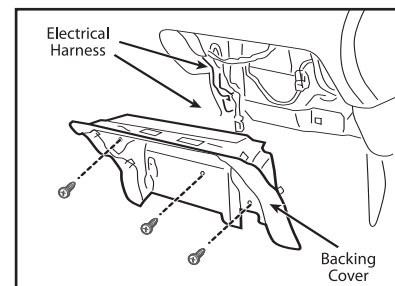


Figure 3

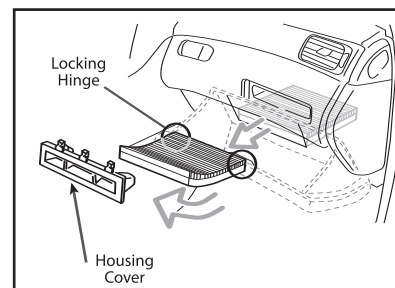


Figure 4

**atp**  
professional auto parts®

1300 Pratt Boulevard  
Elk Grove Village, Illinois 60007  
Phone: 847-967-6790 Fax: 847-967-8686  
www.atp-inc.com • TRANSNET: 79122

# Interior Ventilation Filter Installation

## Honda Fit

Interior ventilation filter is located inside filter case, behind the glove box compartment door.

1. Remove (2) glove box door retaining bolts. Open the glove box door. Push in on each side of the glove box door to release stops and lower the door. (See Figure 1)
2. Slide out the filter case towards you. (See Figure 2)
3. Remove filter element from case. Install filter into case. (Make sure filter element is properly seated in the filter case) (See Figure 3)

**Approximate Installation Time:**  
**15 Minutes**

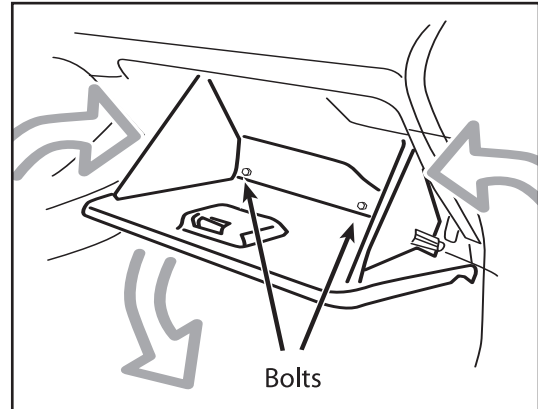


Figure 1

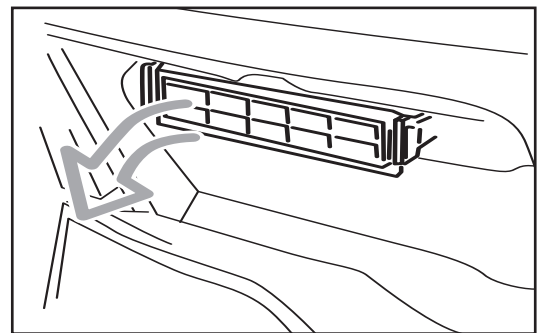


Figure 2

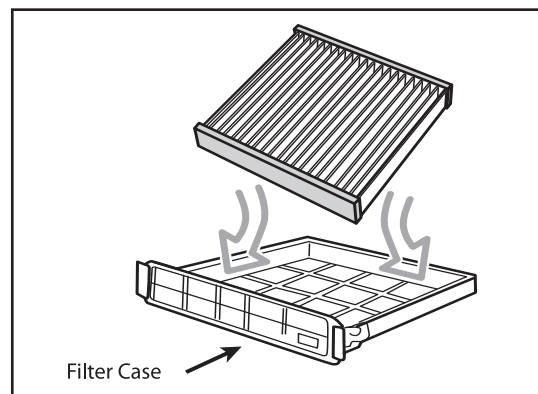


Figure 3

**atp**  
professional auto parts®

1300 Pratt Boulevard  
Elk Grove Village, Illinois 60007  
Phone: 847-967-6790 Fax: 847-967-8686  
www.atp-inc.com • TRANSNET: 79122

# Interior Ventilation Filter Installation

## Honda Prelude

Interior ventilation filter is located behind glove box compartment, inside filter housing.

**1. Open the glove box door, remove glove box door hardware and remove the door assembly. (See Figure 1)**

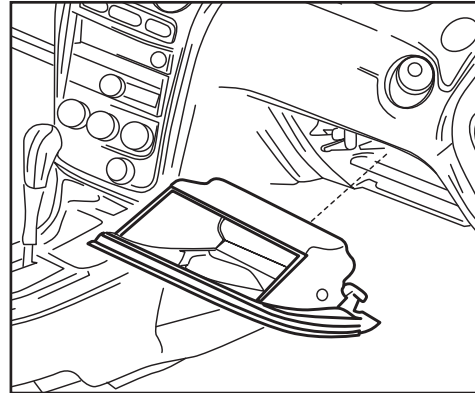


Figure 1

**2. Remove the glove box compartment support bracket to gain access to the filter housing. (See Figure 2)**

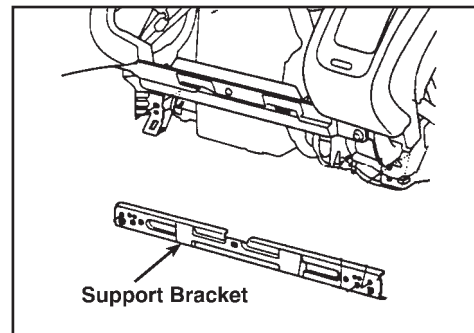


Figure 2

**3. Remove the filter housing cover and slide the filter frame with filter out of housing. Remove filter from filter frame.**

**4. Installation will be in the reverse order of removal.**

*Approximate install time:  
20 minutes*

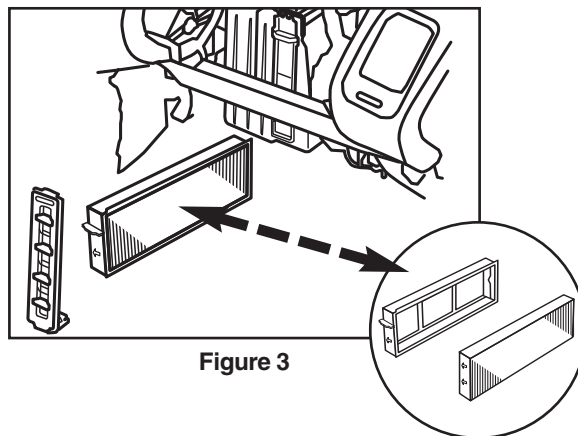


Figure 3

**atp**  
professional auto parts®

1300 Pratt Boulevard  
Elk Grove Village, Illinois 60007  
Phone: 847-967-6790 Fax: 847-967-8686  
www.atp-inc.com • TRANSNET: 79122

# Interior Ventilation Filter Installation

## *Honda Fit, Insight*

Interior ventilation filter is located inside filter case, behind the glove box compartment door.

- 1. Remove (2) glove box door retaining bolts. Open the glove box door. Push in on each side of the glove box door to release stops and lower the door. (See Figure 1)**
- 2. Slide out the filter case towards you. (See Figure 2)**
- 3. Remove filter element from case. Install filter into case. (Make sure filter element is properly seated in the filter case.) (See Figure 3)**

***Approximate Installation Time:  
15 Minutes***

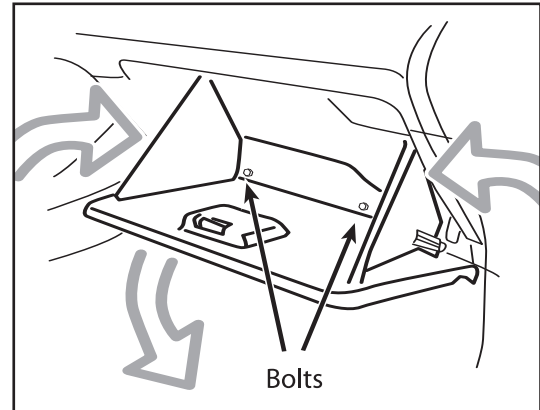


Figure 1

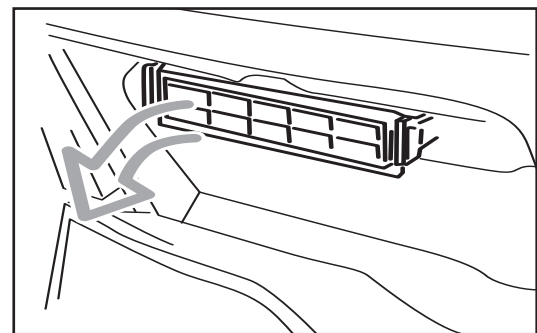


Figure 2

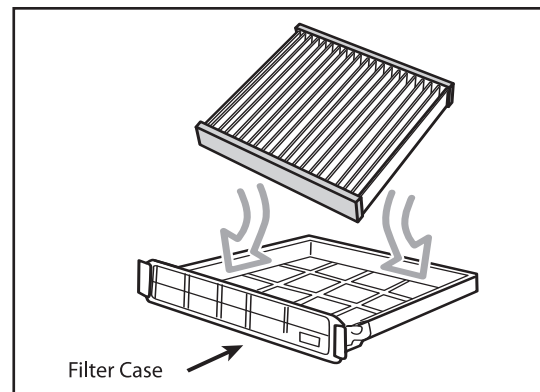


Figure 3

**atp**  
professional auto parts®

1300 Pratt Boulevard  
Elk Grove Village, Illinois 60007  
Phone: 847-967-6790 Fax: 847-967-8686  
www.atp-inc.com • TRANSNET: 79122

# Interior Ventilation Filter Installation

## Acura Legend

Interior ventilation filter is located above the passenger side instrument panel, below the glove box compartment.

1. Remove the (3) instrument panel retaining nuts from the instrument panel. Disconnect the glove box compartment light electrical harness and remove the instrument panel. (See Figure 1)
2. Remove (4) lower glove box compartment retaining screws and remove the complete compartment. (See Figure 2)
3. Remove (1) lower and (1) upper vent filter housing bracket screw and remove the housing bracket. Slide vent filter out of housing. (See Figure 3)
4. Installation is in the reverse order of removal.

*Approximate install time: 15 minutes*

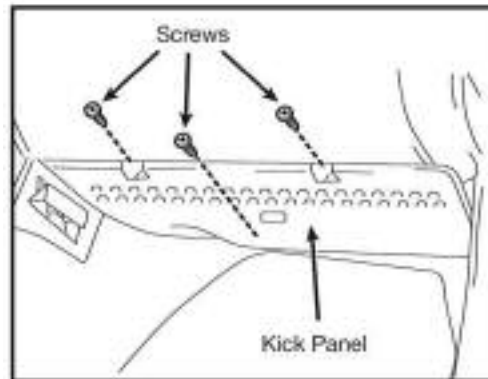


Figure 1

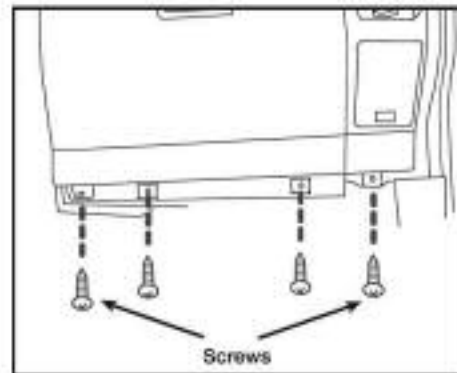


Figure 2

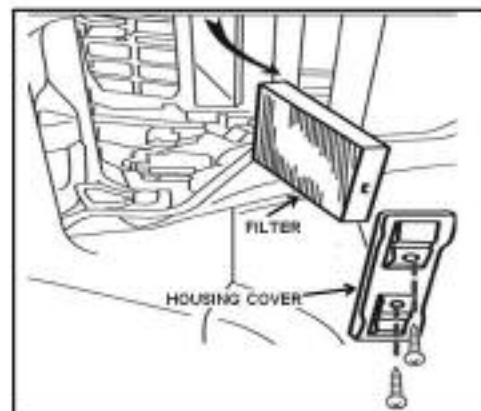


Figure 3

**atp**  
professional auto parts®

1300 Pratt Boulevard  
Elk Grove Village, Illinois 60007  
Phone: 847-967-6790 Fax: 847-967-8686  
www.atp-inc.com • TRANSNET: 79122

# Interior Ventilation Filter Installation

## Volvo 850

**Note:** *Some Volvo 850 models did not have a factory installed filter. In this case, a dealer installation kit is needed to retrofit the vehicle with a filter.*

1. Lift hood.
2. The filter is on the left side of the engine compartment (See Figure 1).
3. Remove drain hose (A) and screws (B) (See Figure 1).
4. Prop open filter cover and remove filter (See Figure 2).
5. Replace filter and lower cover. Reinstall hose and screws (See Figure 3).

**Approximate Installation  
Time: 20 Minutes**

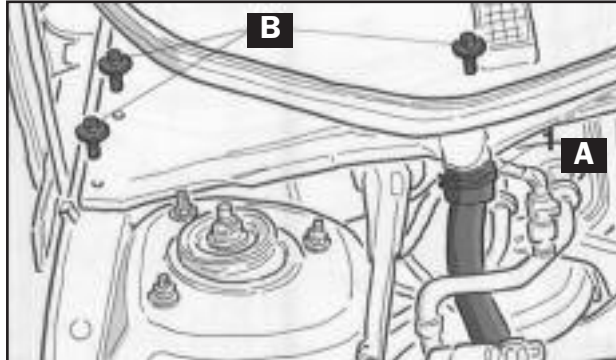


Figure 1



Figure 2

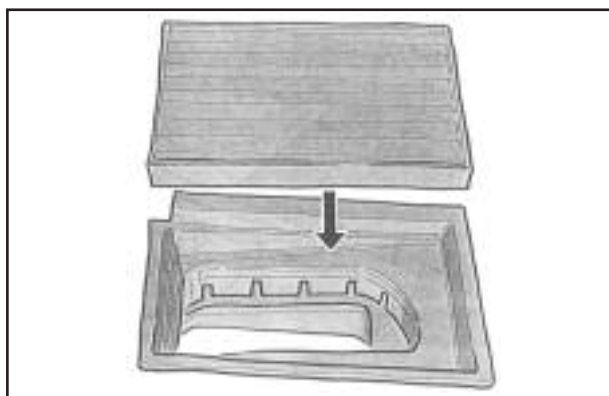


Figure 3

**atp**  
professional auto parts®

1300 Pratt Boulevard  
Elk Grove Village, Illinois 60007  
Phone: 847-967-6790 Fax: 847-967-8686  
www.atp-inc.com • TRANSNET: 79122

# Interior Ventilation Filter Installation

## Lexus ES300

The filter is located under the dashboard, to the right of the accelerator pedal.

1. Disconnect the negative battery cable.
2. Pull away the carpet on the right side of the accelerator pedal and locate the filter door. Press in the plastic tab on top of the filter door, open door by pulling up and out.
2. The filter is removed in two parts. The filter opening allows only one part of the filter to be removed at a time. (See Figure 1)
3. Pull a section of the filter out. To remove the other section, reach in and up and pull the filter out.
4. Install filters in reverse order of removal. Make sure the filters are installed in the correct order. (See Figure 2)
5. Close filter door.
6. Reconnect negative battery cable.

Figure 1

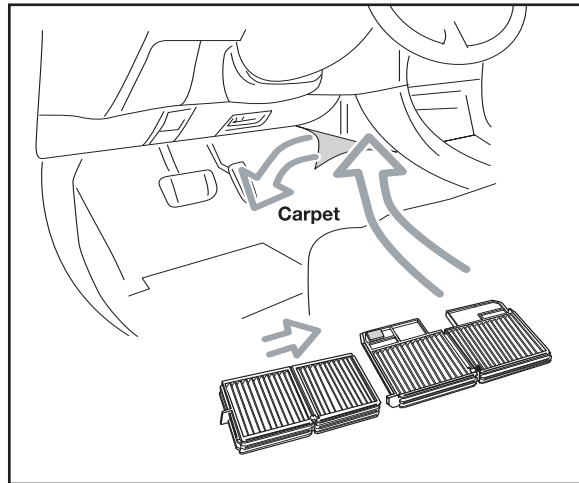
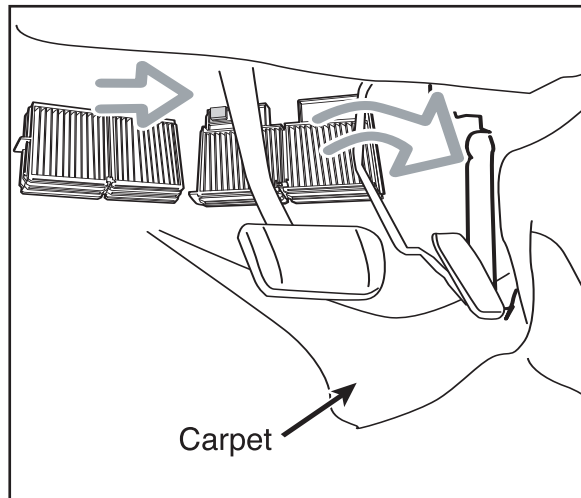


Figure 2



*Approximate Installation Time: 30 Minutes*

**atp**  
professional auto parts®

1300 Pratt Boulevard  
Elk Grove Village, Illinois 60007  
Phone: 847-967-6790 Fax: 847-967-8686  
www.atp-inc.com • TRANSNET: 79122

# Interior Ventilation Filter Installation

## Toyota Avalon

Filter element is located inside a housing case, behind the glove compartment door.

1. Remove cover under glove box door.
2. Open glove box door.
3. With a flat-head screwdriver, remove airbag harness cover and pass the cover through the opening. (See Figure 1) **DO NOT DISCONNECT THE AIRBAG HARNESS.**
4. Remove (3) screws and (4) bolts to remove glove box door. (See Figure 2)
5. Pull out two tabs located on each side of the filter housing case to gain access to the filter element. (See Figure 3)
6. Lift out filter element from filter case. (See Figure 4)
7. Install filter element on filter case. (Make sure filter element is properly seated in the filter case).
8. Install filter case, glove box door and airbag harness cover in the reverse order of removal.

*Approximate Installation Time: 45 Minutes*

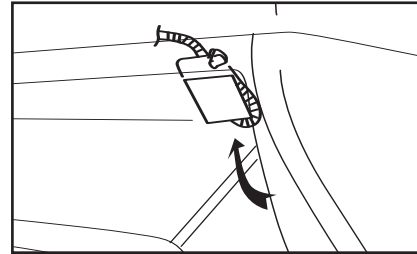


Figure 1

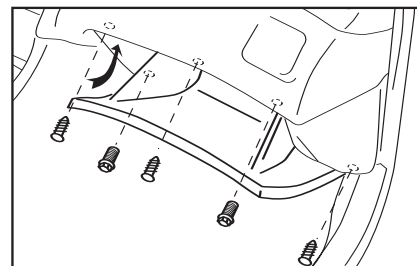


Figure 2

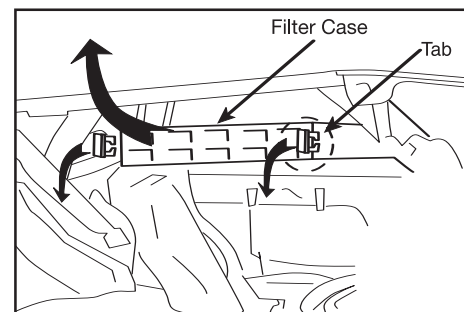


Figure 3

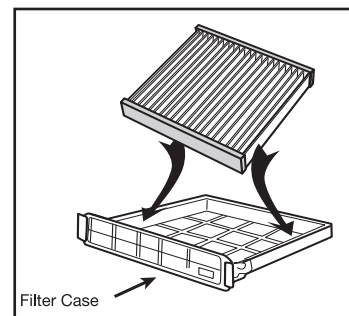


Figure 4

**atp**  
professional auto parts®

1300 Pratt Boulevard  
Elk Grove Village, Illinois 60007  
Phone: 847-967-6790 Fax: 847-967-8686  
www.atp-inc.com • TRANSNET: 79122

# Interior Ventilation Filter Installation

**Toyota Camry, Sienna, Solara,  
Lexus ES300/330, GX470, RX330, RX350, RX400h**

1. Open the glove box door.
2. Remove the Phillips-type screw located at the right side of the glove box door, slide off connecting rod. (See Figure 1)
3. (Camry Applications) Push in on each side of the glove box door to release tabs, (Lexus Applications) remove (2) pins located on each side of the glove box door, swing glove box door down. (See Figure 2)
4. Slide out filter case towards you. (See Figure 3)
5. Remove filter element from filter case.
6. Install filter element in filter case. (Make sure filter element is properly seated in the filter case)
7. Reinstall filter case, glove box door and connecting rod with screw in the reverse order of removal.

*Approximate Installation Time: 45 Minutes*

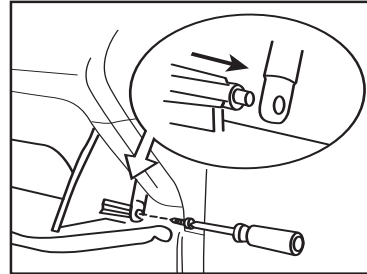


Figure 1

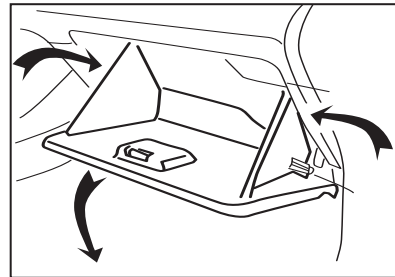


Figure 2

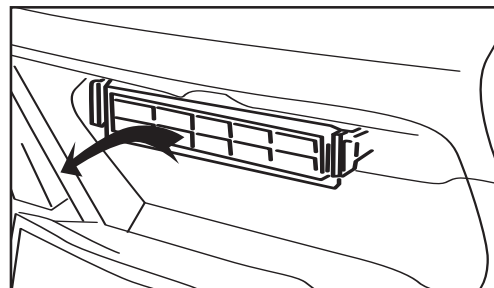
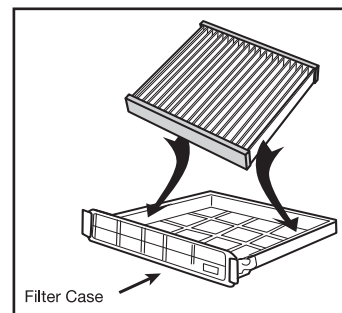


Figure 3



**atp**  
professional auto parts®

1300 Pratt Boulevard  
Elk Grove Village, Illinois 60007  
Phone: 847-967-6790 Fax: 847-967-8686  
www.atp-inc.com • TRANSNET: 79122

# Interior Ventilation Filter Installation

## Lexus GS300, GS400

Filter element is located inside the glove box, behind the filter housing cover.

1. Make sure blower motor fan is off.
2. Open the glove box door.
3. Remove center plastic strip at the rear of the glove box door and pull out the filter housing cover. (See Figure 1)
4. Slide out filter element towards rear of vehicle. (See Figure 2)
5. Replace filter element, housing cover and plastic strip in the reverse order of removal.

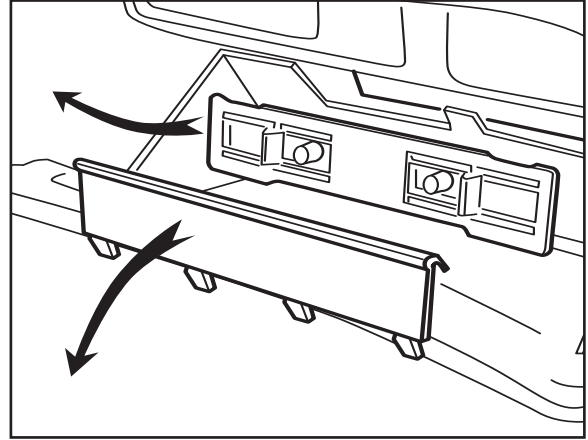


Figure 1

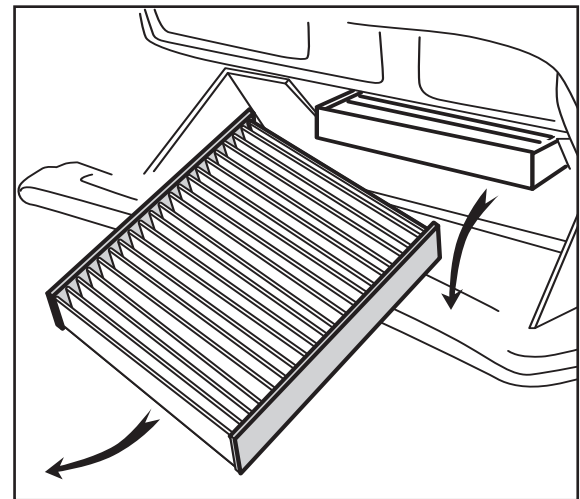


Figure 2

*Approximate Installation Time: 25 Minutes*

**atp**  
professional auto parts®

1300 Pratt Boulevard  
Elk Grove Village, Illinois 60007  
Phone: 847-967-6790 Fax: 847-967-8686  
www.atp-inc.com • TRANSNET: 79122

# Interior Ventilation Filter Installation

## *Toyota Matrix, Corolla*

Filter element is located inside the glove compartment, behind glove box door.

1. With glove box compartment door opened, push inwards on release tabs located on each side of the door, swing glove box compartment door down. (See Figure 1)
2. Remove filter element housing cover.
3. Slide out filter element.
4. Install new filter element. (See Figure 2)
5. Reinstall filter housing cover, swing glove box door up to engage tabs.

*Approximate Installation Time: 25 Minutes*

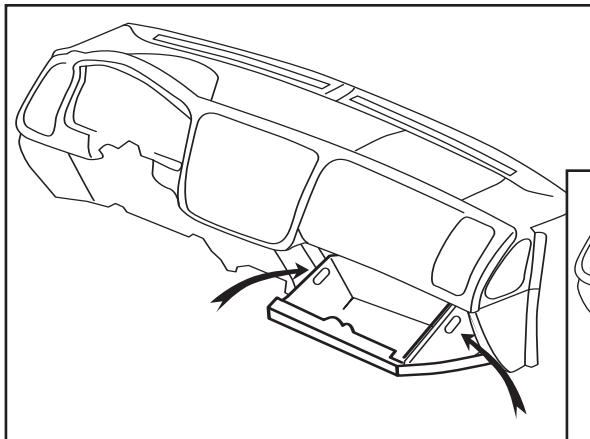


Figure 1

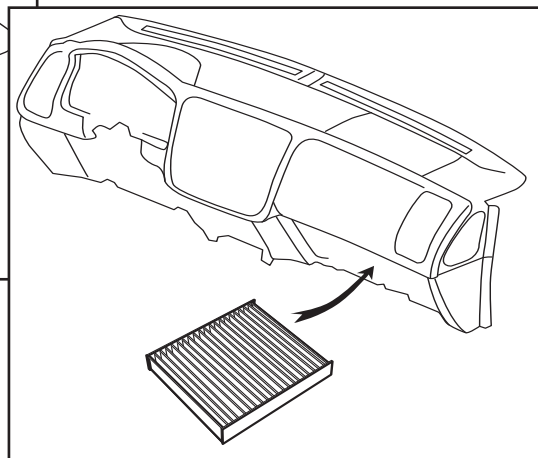


Figure 2

**atp**  
professional auto parts®

1300 Pratt Boulevard  
Elk Grove Village, Illinois 60007  
Phone: 847-967-6790 Fax: 847-967-8686  
www.atp-inc.com • TRANSNET: 79122

# Interior Ventilation Filter Installation

## ***SCION TC, XA, XB Toyota Echo, RAV4***

Interior ventilation filter is located inside filter housing, behind glove compartment door.

1. Open glove box door.
2. Push in at each side of the glove box door to lower it until it hangs straight down. (See Figure 1)
3. Remove filter cover by pulling the tabs located on each side of the filter case cover. (See Figure 2)
4. Slide filter housing out towards you. Replace filter element. (See Figure 3)

***Approximate Installation Time:***  
***30-45 Minutes***

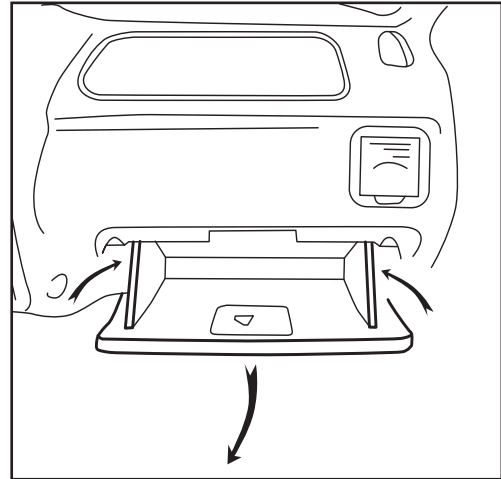


Figure 1

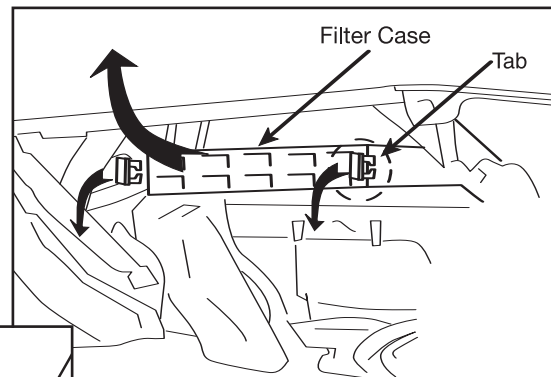


Figure 2

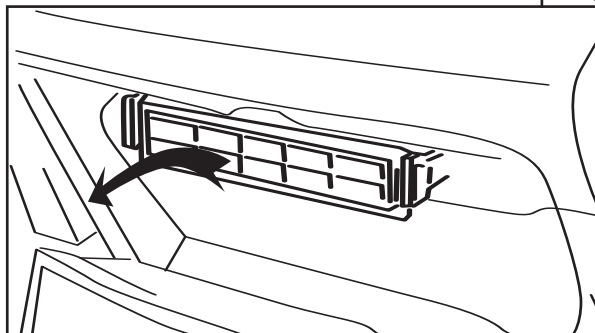


Figure 3

**atp**  
*professional auto parts®*

1300 Pratt Boulevard  
Elk Grove Village, Illinois 60007  
Phone: 847-967-6790 Fax: 847-967-8686  
www.atp-inc.com • TRANSNET: 79122

# Interior Ventilation Filter Installation

## Toyota Highlander, Lexus IS300, RX300

Figure 1

Interior ventilation filter is located behind glove box door inside filter housing.

1. Using a Phillips-head screwdriver, remove retainer clip located at the lower right corner of glove compartment. (See Figure 1)
2. With glove door open, push in at each side of the glove box door to release door stays. Swing glove door down. (See Figure 2)
3. Pull out filter housing towards rear of vehicle. To gain access to the filter element, slide filter case towards you. (See Figure 3)
4. Lift up on filter element to replace.

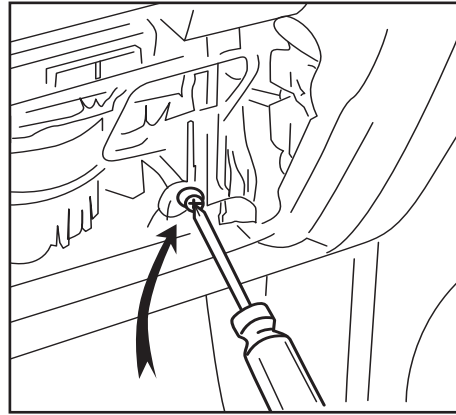


Figure 2

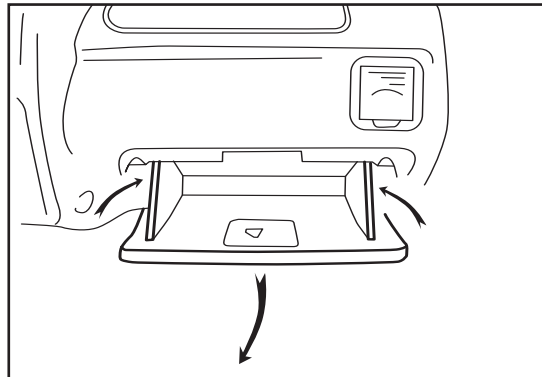
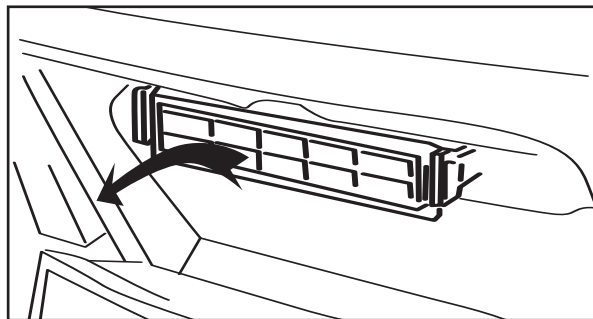


Figure 3



**Approximate Installation Time:**  
30-45 Minutes

**atp**  
professional auto parts®

1300 Pratt Boulevard  
Elk Grove Village, Illinois 60007  
Phone: 847-967-6790 Fax: 847-967-8686  
www.atp-inc.com • TRANSNET: 79122

# Interior Ventilation Filter Installation

**Mazda MPV, Subaru B9 Tribeca, Legacy, Outback, Tribeca, Toyota 4Runner, Celica, FJ Cruiser, Prius, Sienna**

1. Open the glove box door.
2. At the right side of the glove box door, slide off connecting rod. (See Figure 1)
3. Push in on each side of the glove box door to release tabs, swing glove box door down. (See Figure 2)
4. Slide out filter case towards you. (See Figure 3)
5. Remove filter element from filter case.
6. Install filter element in filter case. (Make sure filter element is properly seated in the filter case)

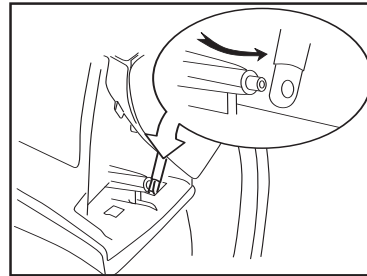


Figure 1

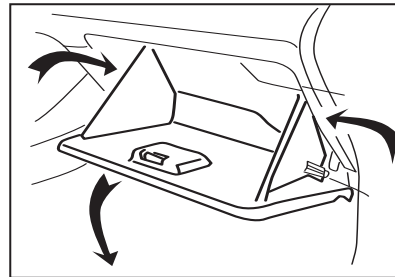


Figure 2

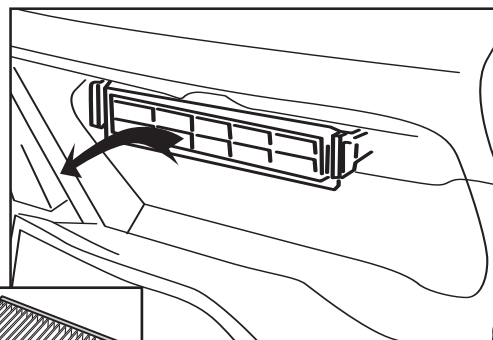
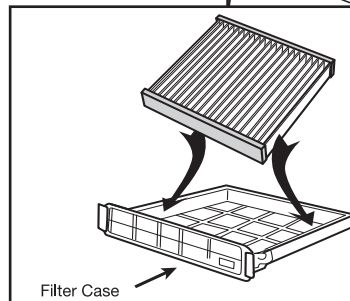


Figure 3



**Approximate Installation Time: 15 Minutes**

**atp**  
professional auto parts®

1300 Pratt Boulevard  
Elk Grove Village, Illinois 60007  
Phone: 847-967-6790 Fax: 847-967-8686  
www.atp-inc.com • TRANSNET: 79122

# Interior Ventilation Filter Installation

## *Nissan Altima, Maxima*

Interior vent filter is located behind glove box inside filter housing.

1. Remove (2) glove box hinge pins located at the bottom of the glove box door. Swing glove box door down permitting it to hang on cord. (See Figure 1)
2. Disengage (2) hook tabs from the filter housing cover. Remove cover. (See Figure 2)
3. Slide out the interior vent filter from its housing.
4. Installation is in the reverse order of removal.

**Note:** The interior vent filter must be properly seated on the supporting tabs inside the housing with the up direction arrow facing you. (See Figure 3)

*Approximate Installation Time: 20 Minutes*

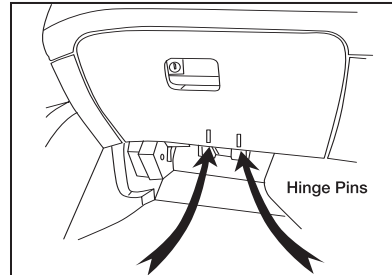


Figure 1

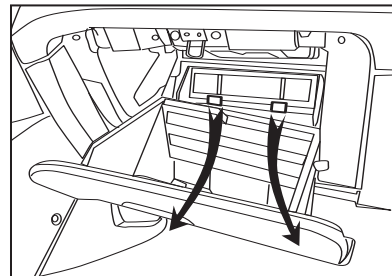


Figure 2

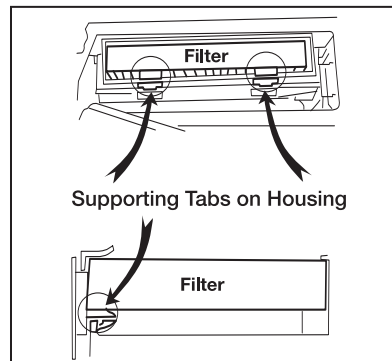


Figure 3

**atp**  
professional auto parts®

1300 Pratt Boulevard  
Elk Grove Village, Illinois 60007  
Phone: 847-967-6790 Fax: 847-967-8686  
www.atp-inc.com • TRANSNET: 79122

# Interior Ventilation Filter Installation

## Murano

Interior vent filter is located inside filter housing behind glove box compartment.

1. Remove the lower screws located underneath the glove box door. Remove the glove box striker assembly. Disconnect electrical connections; remove the passenger side instrument lower panel unit. (See Figure 1)
2. Remove the damper screw located on the right side of the glove box. Detach the glove box damper. Remove the glove box door by removing the glove box pins. (See Figure 2)
3. Remove filter housing cover. Slide interior vent filter out of housing. (See Figure 3)
4. Installation is in the reverse order of removal.

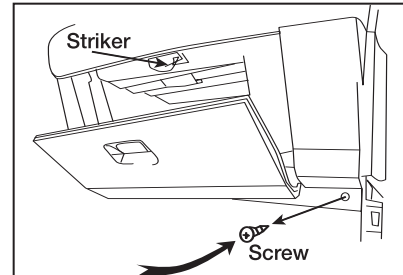


Figure 1

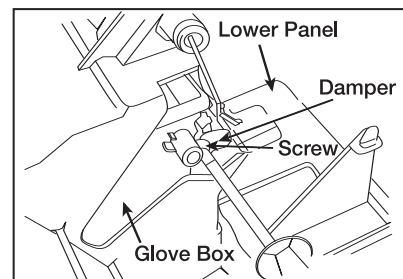


Figure 2

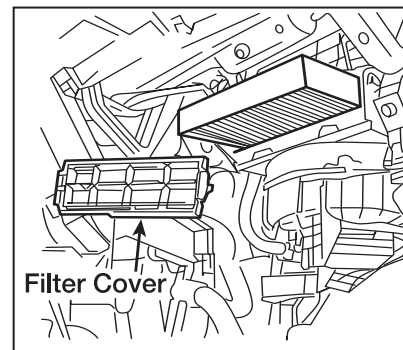


Figure 3

*Approximate Installation Time: 30-45 Minutes*

**atp**  
professional auto parts®

1300 Pratt Boulevard  
Elk Grove Village, Illinois 60007  
Phone: 847-967-6790 Fax: 847-967-8686  
www.atp-inc.com • TRANSNET: 79122

# Interior Ventilation Filter Installation

## Lexus GS300, GS430

Interior ventilation filter is located inside filter housing behind glove box door.

1. Use a screwdriver to remove glove compartment undercover. (See Figure 1)
2. Remove (2) lower glove compartment bolts and open the glove box door. (See Figure 2)
3. Remove (3) panel screws and remove the glove box compartment assembly.
4. Remove filter housing cover and pull filter out. (See Figure 3)
5. Installation is in the reverse order of removal.

*Approximate Installation Time:  
30 Minutes*

Figure 1

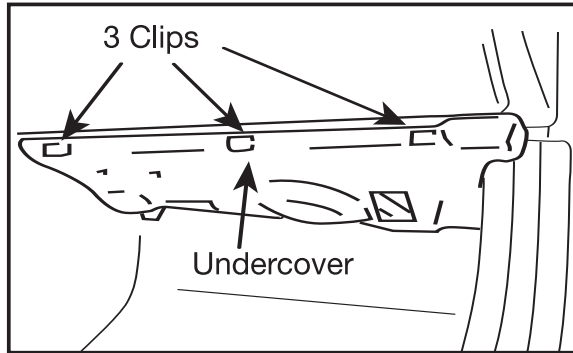


Figure 2

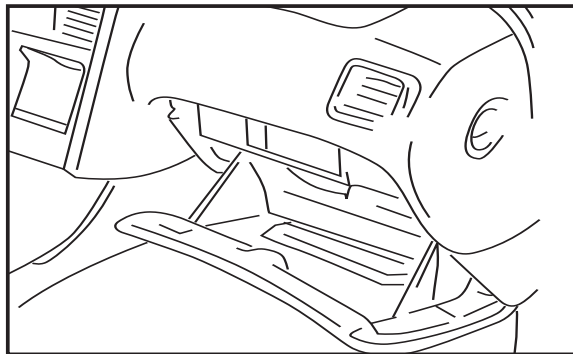
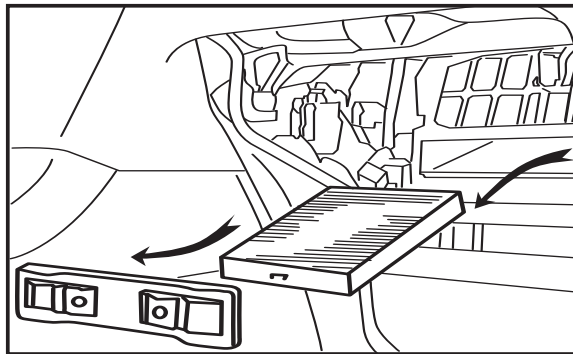


Figure 3



**atp**  
professional auto parts®

1300 Pratt Boulevard  
Elk Grove Village, Illinois 60007  
Phone: 847-967-6790 Fax: 847-967-8686  
www.atp-inc.com • TRANSNET: 79122

# Interior Ventilation Filter Installation

## Lexus LS430, SC430

Interior ventilation filter is located inside filter housing behind glove box door.

1. Open glove box door.
2. For SC430, remove two pins installed on the upper part of the glove box. Lower the glove box.
3. Remove finish panel located at the rear of glove box door and remove filter housing cover. (See Figure 1)
4. Pull back on filter case and remove from housing. (See Figure 2)
5. Lift filter out of filter case. (See Figure 3)
6. Installation is in the reverse order of removal.

*Approximate Installation Time:*  
**25 Minutes**

Figure 1

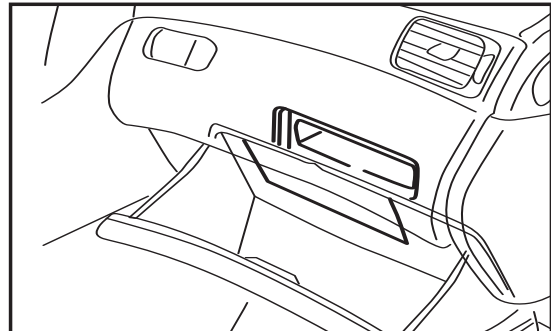


Figure 2

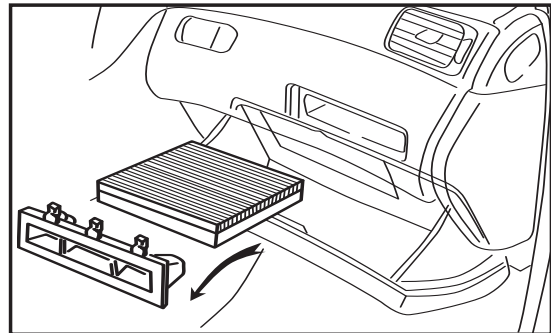
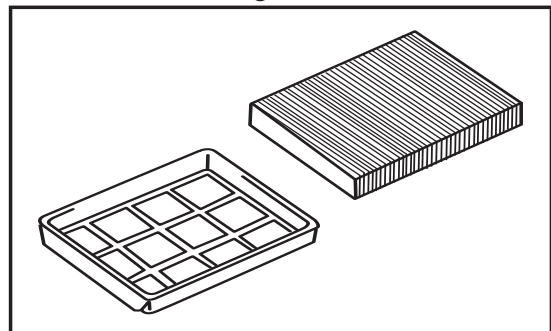


Figure 3



**atp**  
professional auto parts®

1300 Pratt Boulevard  
Elk Grove Village, Illinois 60007  
Phone: 847-967-6790 Fax: 847-967-8686  
www.atp-inc.com • TRANSNET: 79122

# Interior Ventilation Filter Installation

## Lexus LS400

Interior ventilation filter is located inside filter housing behind glove box door.

1. Open glove box door and remove glove box cover.
2. Remove the filter housing cover. (See Figure 1)
3. Pull out filter case towards the rear of vehicle. (See Figure 2)
4. Lift filter out of filter frame. (See Figure 3)
5. Installation is in the reverse order of removal.

**Approximate Installation Time:**  
**10 Minutes**

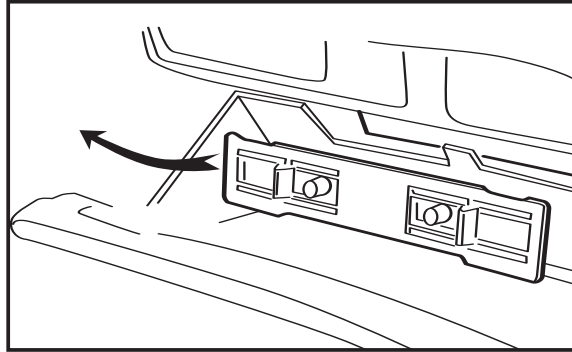


Figure 1

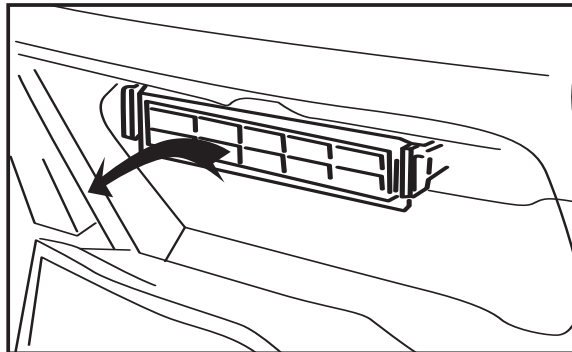


Figure 2

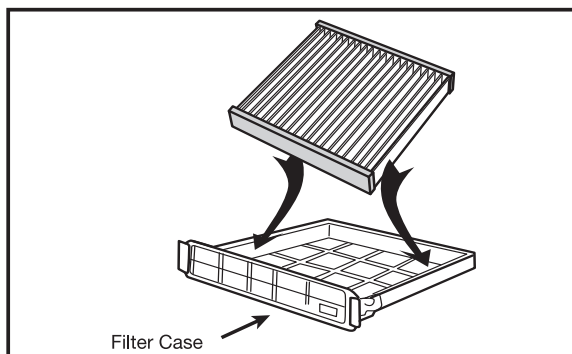


Figure 3

**atp**  
professional auto parts®

1300 Pratt Boulevard  
Elk Grove Village, Illinois 60007  
Phone: 847-967-6790 Fax: 847-967-8686  
www.atp-inc.com • TRANSNET: 79122

# Interior Ventilation Filter Installation

## BMW X5

Interior ventilation filter is located underneath hood at the center of the cowl just above the intake manifold cover.

1. Turn toggle approximately 90 degrees and open filter housing cover. (See Figure 1)

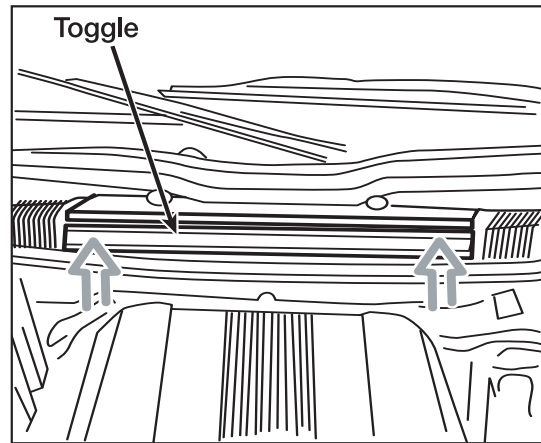


Figure 1

2. Pull filter out towards front of vehicle.
3. Replacement of filter is in the reverse order of removal.

*Approximate Installation Time: 10 Minutes*

**atp**  
professional auto parts®

1300 Pratt Boulevard  
Elk Grove Village, Illinois 60007  
Phone: 847-967-6790 Fax: 847-967-8686  
www.atp-inc.com • TRANSNET: 79122

# Interior Ventilation Filter Installation

## Volvo C70, S60, S80, V70, XC70, XC90

Interior ventilation filter is located inside filter housing above passenger side soundproof panel.

**Note:** Some applications equipped with "IAQS" (interior air quality system) sensor incorporate (2) filters. A standard filter (interior vent filter) and a multi-filter (cars equipped with "IAQS" system). Both filters cannot be installed together when servicing. Pay close attention to the installation instructions as stated below.

1. Remove the (2) screws from the soundproof panel located underneath the glove box drawer. (The back of the soundproof panel is secured to the dashboard with clips and sits in a groove at the front.) Pull the clips straight down, pull the panel backwards into the car and lift out panel.
2. Remove (4) screws from vent filter housing cover and remove cover. (See Figure 1)
3. Vehicles equipped with "IAQS" remove only the interior vent filter. This filter is identified as the standard filter and it is installed in the smaller compartment. (See Figure 2).
4. Install filter, filter housing cover and the (4) housing cover screws. Do not tighten the front left housing cover screw more than 7 inch lbs. (0.8 N.m).
5. Install soundproof panel in the reverse order of removal.

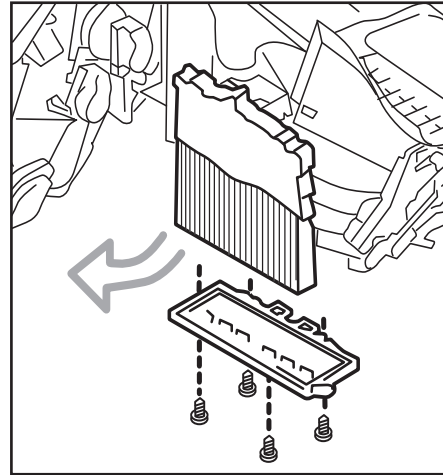


Figure 1

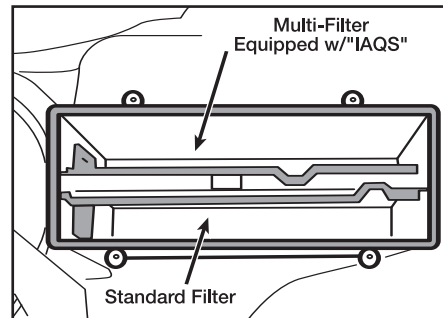


Figure 2

**Approximate Installation Time: 40 Minutes**

**atp**  
professional auto parts®

1300 Pratt Boulevard  
Elk Grove Village, Illinois 60007  
Phone: 847-967-6790 Fax: 847-967-8686  
www.atp-inc.com • TRANSNET: 79122

# Interior Ventilation Filter Installation

## Nissan Maxima, Infiniti I30, I35

Interior ventilation filter is located behind the glove box compartment.

1. Remove lower glove box compartment kick panel by detaching (3) clips. Open the glove box drawer and remove (2) glove box latch screws and remove latch. (See Figure 1)
2. Remove (2) upper and (2) lower glove box compartment mounting screws. Remove glove box drawer light. (See Figure 2)
3. Carefully remove the yellow airbag connector by releasing the (2) push-in fasteners. Using needle nose pliers squeeze together the side prongs to release fasteners and slip the fasteners out of the holes in the glove box. Remove glove box compartment unit. **Caution: Do not disconnect the yellow airbag connectors from each other. Do not allow glove box compartment to hang by the airbag harness wires.**
4. Remove clip from housing cover and remove housing cover.
5. Slide out bottom filter first and then lower second filter and slide second filter out of housing. (See Figure 3)
6. Installation is in the reverse order of removal.

*Approximate Installation Time: 40 Minutes*

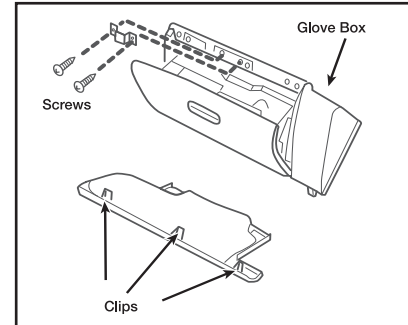


Figure 1

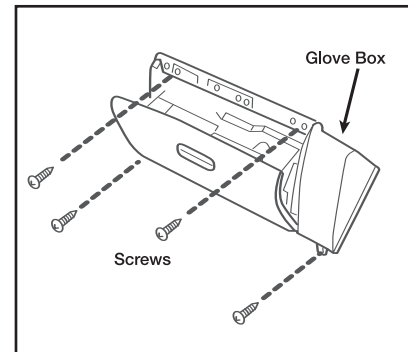


Figure 2

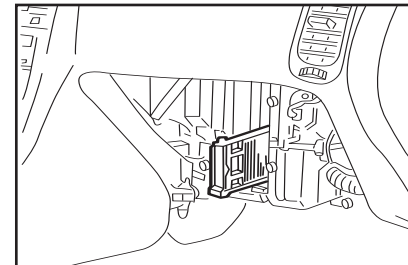


Figure 3

**atp**  
professional auto parts®

1300 Pratt Boulevard  
Elk Grove Village, Illinois 60007  
Phone: 847-967-6790 Fax: 847-967-8686  
www.atp-inc.com • TRANSNET: 79122

# Interior Ventilation Filter Installation

## Mazda 6

Interior ventilation filter is located in filter housing behind glove compartment door.

1. Open glove box door. Grasp and pull down on the glove door holding rod located on the right side of the glove box door. (See Figure 1)
2. With both hands at the top of the glove box door push the door stays through the glove box compartment. Remove the stays. (See Figure 2)
3. Swing door down. Remove filter frame out of housing. Replace filter element. (See Figure 3)

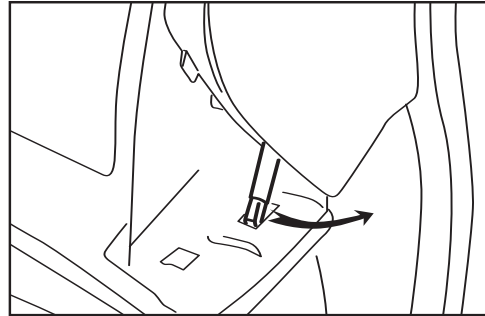


Figure 1

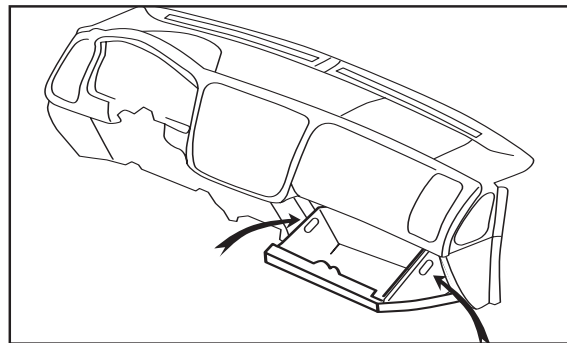


Figure 2

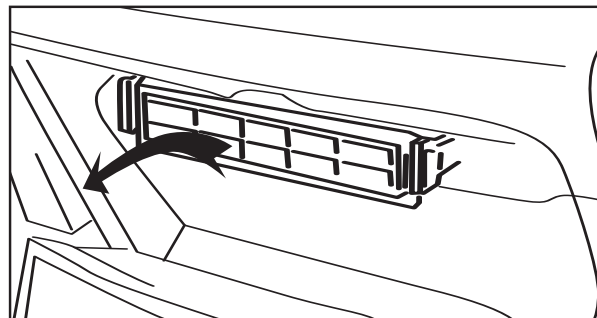


Figure 3

*Approximate Installation  
Time: 20 Minutes*

**atp**  
professional auto parts®

1300 Pratt Boulevard  
Elk Grove Village, Illinois 60007  
Phone: 847-967-6790 Fax: 847-967-8686  
www.atp-inc.com • TRANSNET: 79122

# Interior Ventilation Filter Installation

## Mazda MPV, RX8

Interior ventilation filter is located in filter housing behind glove box compartment door.

**1. Open and remove glove box drawer from instrument panel. (See Figure 1)**

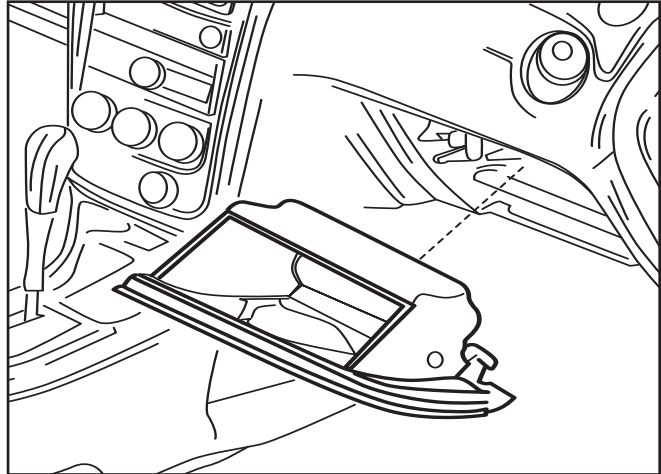


Figure 1

**2. Remove the filter housing cover and slide filter out of housing. (See Figure 2)**

**3. Installation is in the reverse order of removal.**

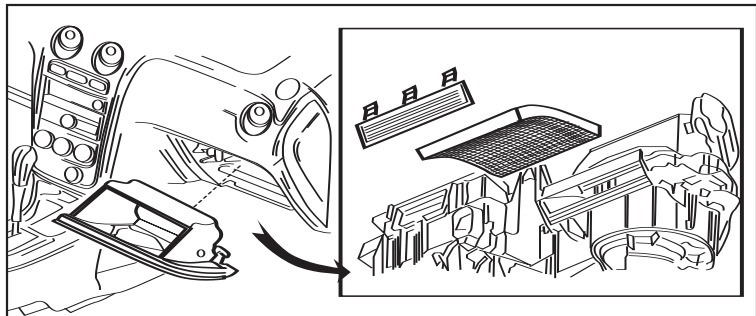


Figure 2

**Approximate Installation Time: 25 Minutes**

**atp**  
professional auto parts®

1300 Pratt Boulevard  
Elk Grove Village, Illinois 60007  
Phone: 847-967-6790 Fax: 847-967-8686  
www.atp-inc.com • TRANSNET: 79122

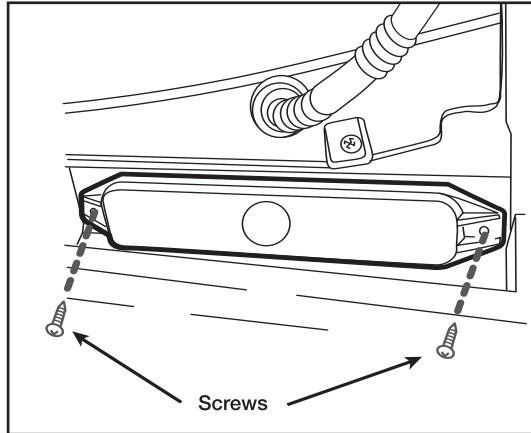
# **Interior Ventilation Filter Installation**

## ***Range Rover***

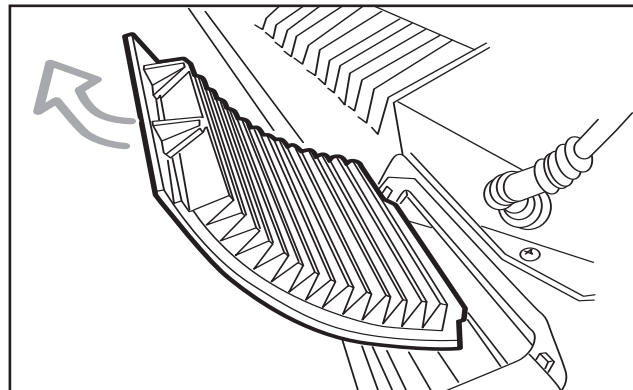
**Interior ventilation filter is located underneath hood at the center of the cowl area.**

- 1. Open hood. Remove (2) vent filter housing cover screws and remove cover. (See Figure 1)**
- 2. Slide (2) vent filters out towards front of vehicle. (See Figure 2)**
- 3. Install filters and housing cover in the reverse order of removal.**

***Approximate Installation Time:  
20 Minutes***



**Figure 1**



**Figure 2**

**atp**  
*professional auto parts®*

**1300 Pratt Boulevard  
Elk Grove Village, Illinois 60007  
Phone: 847-967-6790 Fax: 847-967-8686  
www.atp-inc.com • TRANSNET: 79122**

# Interior Ventilation Filter Installation

## *Infiniti QX56, Nissan Armada, Titan*

Interior ventilation filter is located inside filter housing behind glove box compartment.

1. Remove (2) lower glove box drawer screws. (See Figure 1)
2. Open glove box drawer. Remove (4) upper glove box drawer mounting screws and detach drawer. It is not necessary to remove the glove box drawer striker screws. (See Figure 2)
3. Remove filter housing cover screw and remove cover. (See Figure 3)
4. If previously installed, pull first filter out. Reach in housing and slide second filter to the left and remove.
5. Installation is in the reverse order of removal.

*Approximate Installation Time: 30 Minutes*

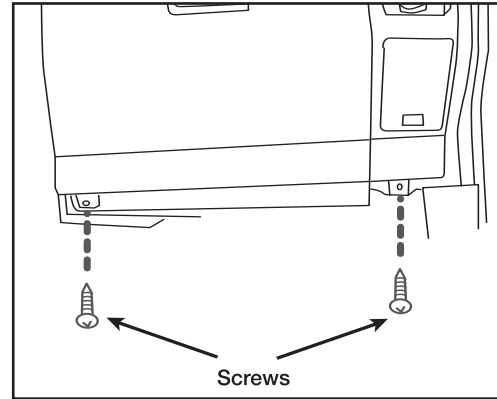


Figure 1

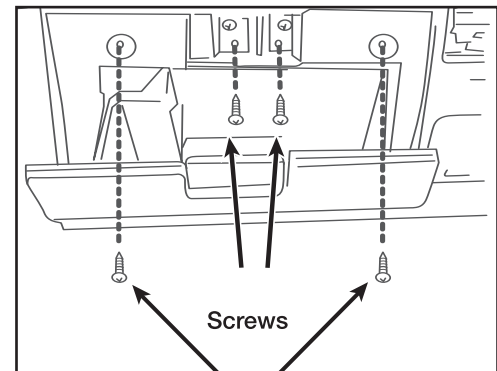


Figure 2

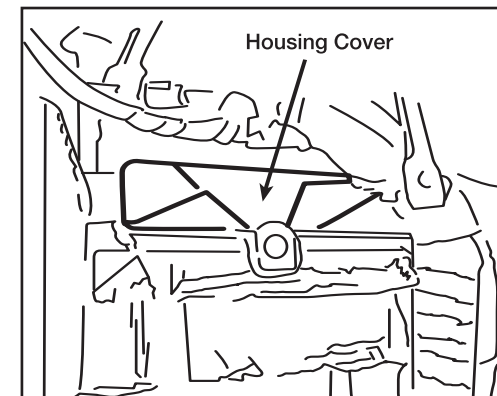


Figure 3

**atp**  
*professional auto parts®*

1300 Pratt Boulevard  
 Elk Grove Village, Illinois 60007  
 Phone: 847-967-6790 Fax: 847-967-8686  
 www.atp-inc.com • TRANSNET: 79122

# Interior Ventilation Filter Installation

## Mercedes-Benz M-Class

(Up to August 31, 1999 Models)

Interior ventilation filter is located above passenger side kick panel inside of air conditioning box.

1. Carefully release the catch tabs from the blower motor cover. (See Figure 1)
2. Unfasten (2) cover insert clips and remove cover. Unplug electrical connector. (See Figure 2)
3. Release retaining clip from vent filter housing cover and slide vent filter out of housing unit. (See Figure 3)
4. Replace filter, housing cover and install kick panel in the reverse order if removal.

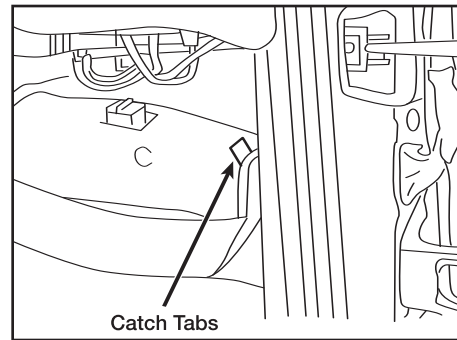


Figure 1

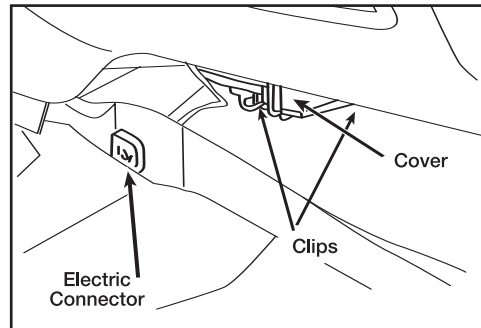


Figure 2

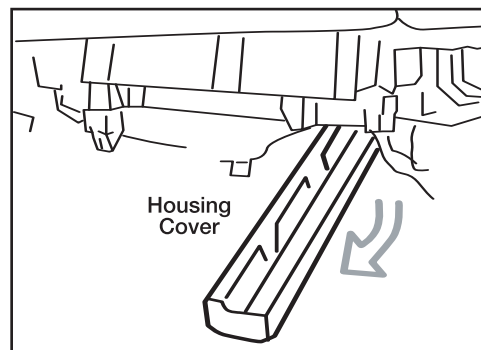


Figure 3

**Approximate Installation Time:**  
**40 Minutes**

**(For Models From**  
**September 1, 1999 See Reverse)**

**atp**  
professional auto parts®

1300 Pratt Boulevard  
Elk Grove Village, Illinois 60007  
Phone: 847-967-6790 Fax: 847-967-8686  
www.atp-inc.com • TRANSNET: 79122

# Interior Ventilation Filter Installation

## Mercedes-Benz M-Class

(From September 1, 1999 Models)

Interior ventilation filter is located above passenger side kick panel inside of air conditioning box.

1. Remove (2) screws from cover. (See Figure 1)
2. Fold locking lever downwards, pull cover down on floor and disconnect electrical connector from interior socket. (See Figure 2)
3. Release retaining clip from vent filter housing cover and slide vent filter out of housing unit. (See Figure 3)
4. Replace filter, housing cover and install kick panel in the reverse order if removal.

*Approximate Installation Time: 40 Minutes*

*(For Models Up To August 31, 1999  
See Reverse)*

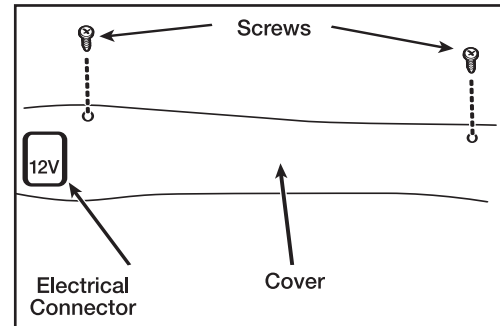


Figure 1

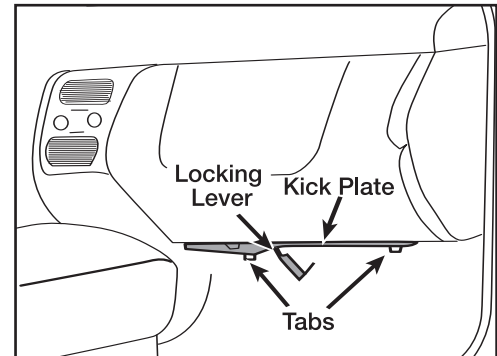


Figure 2

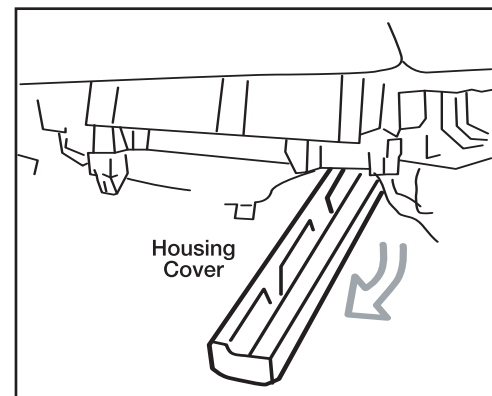


Figure 3

**atp**  
professional auto parts®

1300 Pratt Boulevard  
Elk Grove Village, Illinois 60007  
Phone: 847-967-6790 Fax: 847-967-8686  
www.atp-inc.com • TRANSNET: 79122

# Interior Ventilation Filter Installation

## Mercedes-Benz CL, S Class

Interior ventilation filter is located underneath hood inside the air box.

1. Open hood. Detach weather strip. Detach vacuum hoses at main air flap elements. (See Figure 1)
2. Remove (3) air box screws and lift out air box. (See Figure 2)
3. Unclip the thermovalve surface heater located to the left. Pull out ambient air temperature sensor, remove the air box, remove filter. (See Figure 3)
4. Installation is in the reverse order of removal. Ensure that the water drain does not have any kinks. (See Figure 4)

**Approximate Installation Time: 30 Minutes**

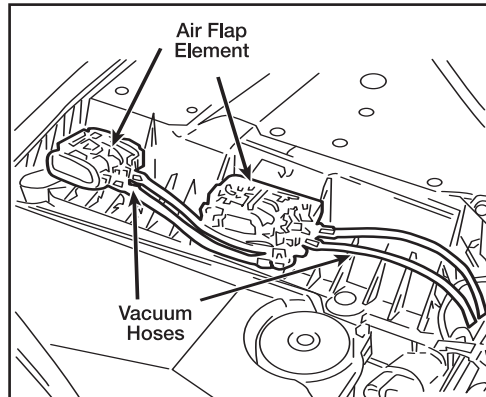


Figure 1

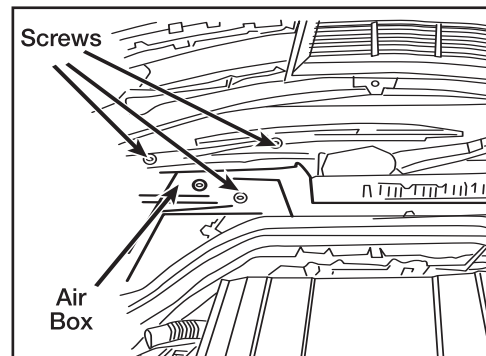


Figure 2

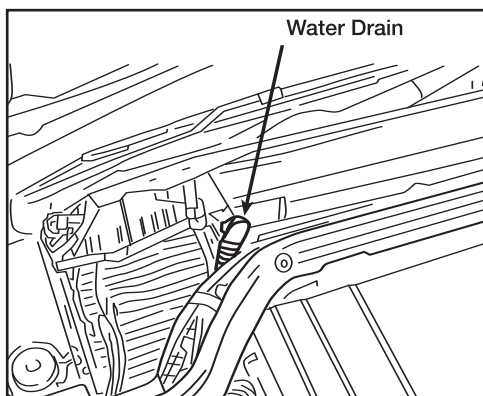


Figure 4

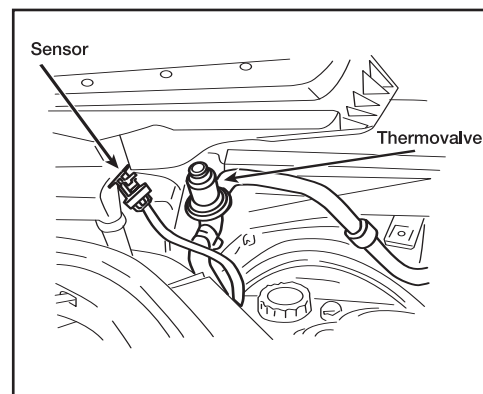


Figure 3

**atp**  
professional auto parts®

1300 Pratt Boulevard  
Elk Grove Village, Illinois 60007  
Phone: 847-967-6790 Fax: 847-967-8686  
www.atp-inc.com • TRANSNET: 79122

# Interior Ventilation Filter Installation

## Mercedes-Benz CL, E, S Class

Interior vent filters are located inside filter housing behind glove box compartment drawer.

1. Open glove box drawer. Unclip glove box illumination lamp and disconnect electrical connector.
2. Remove (2) plugs, (2) upper screws and (2) lower screws. Remove glove box drawer assembly from instrument panel. Unhook the glove box lock control cable. (See Figure 1)
3. Unlock filter housing cover by pushing upwards and slide cover to the left and out towards you. Remove first filter and slide second filter to the left and out. (See Figure 2)
4. Replace filters, housing cover and glove box drawer assembly in the reverse order of removal.

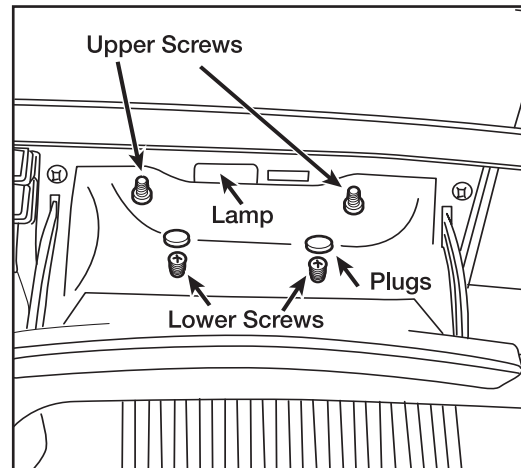


Figure 1

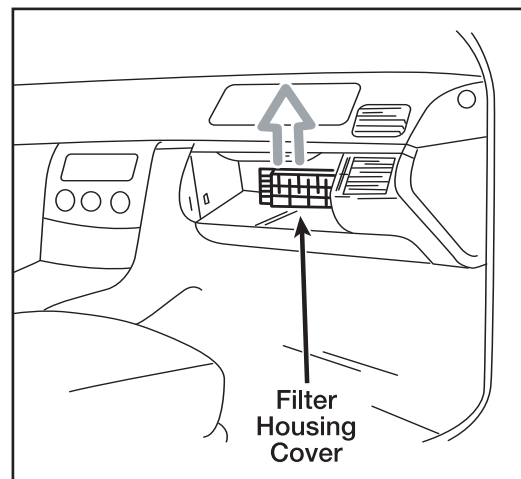


Figure 2

**Approximate Installation Time:**  
**30 Minutes**

**atp**  
professional auto parts®

1300 Pratt Boulevard  
Elk Grove Village, Illinois 60007  
Phone: 847-967-6790 Fax: 847-967-8686  
www.atp-inc.com • TRANSNET: 79122

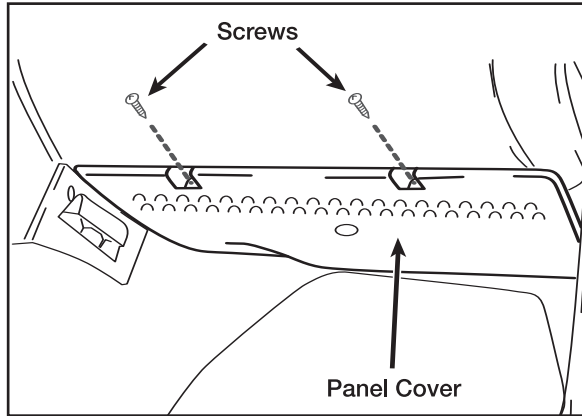
# Interior Ventilation Filter Installation

## Mercedes-Benz CL, E, S Class

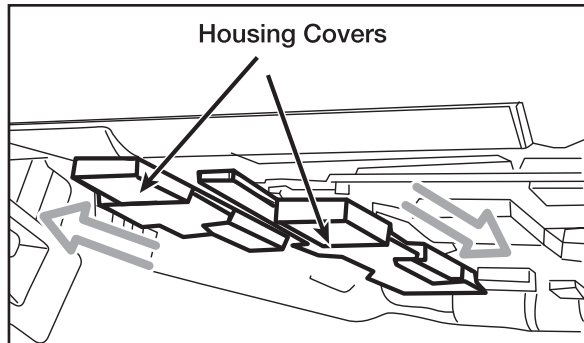
Interior ventilation filters are located behind glove box drawer above passenger side instrument panel cover.

- 1. Remove (2) screws from instrument panel cover. Pull front cover out towards rear and lay down. (See Figure 1)**
- 2. Remove vent filter housing covers by pushing retaining clamps in the direction of the arrows. (See Figure 2)**
- 3. Pull down and remove filters. (See Figure 3)**
- 4. Installation is in the reverse order of removal.**

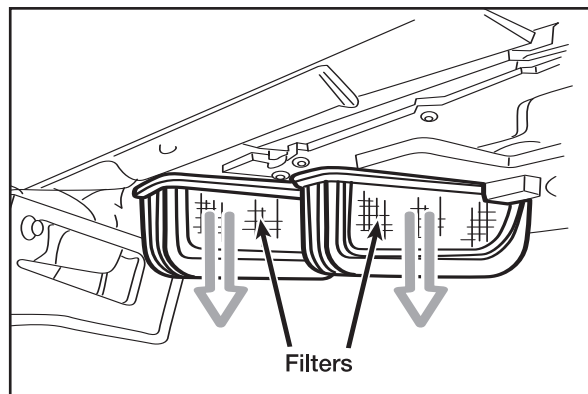
***Approximate Installation Time:  
30 Minutes***



**Figure 1**



**Figure 2**



**Figure 3**

**atp**  
professional auto parts®

1300 Pratt Boulevard  
Elk Grove Village, Illinois 60007  
Phone: 847-967-6790 Fax: 847-967-8686  
www.atp-inc.com • TRANSNET: 79122

# Interior Ventilation Filter Installation

## *Hyundai Santa Fe, Sonata, XG350*

Interior ventilation filter is located inside filter housing behind glove box compartment.

1. Open the glove box drawer. Remove the left and right side drawer stops by pulling the stops towards you. Pull the front edges of the stops towards the inside of the glove box drawer and remove stops. (See Figure 1)
2. Disengage glove box damper rod by pulling pin out and feed through mounting hole. Swing glove box drawer down to gain access to the filter housing cover. (See Figure 2)
3. Twist housing cover lock knob 90 degrees counter-clockwise and release door from filter housing.
4. Remove top filter out first by pulling on tab. Lift up on second filter and remove through housing opening. (See Figure 3)
5. Install bottom filter with grooved side upwards. Install upper filter with beaded side down and interlocking with groove side of second filter. (See Figure 4)
6. Install housing cover, glove box compartment in the reverse order of removal.

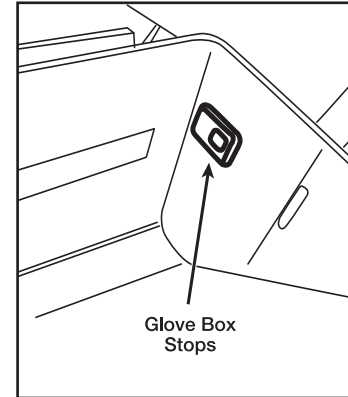


Figure 1

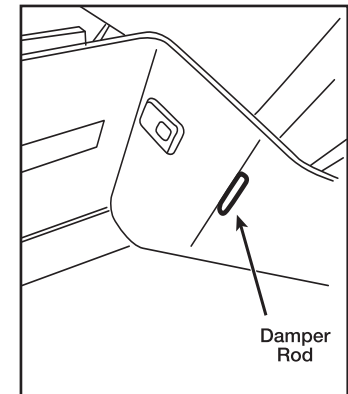


Figure 2

**Approximate  
Installation Time:  
20 Minutes**

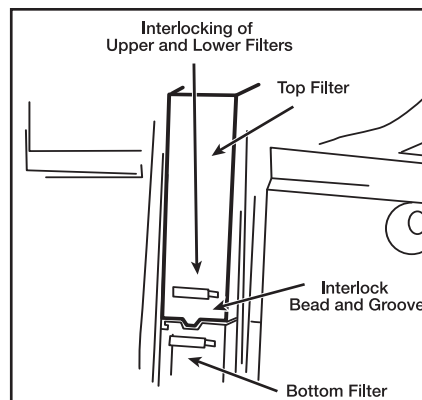


Figure 4

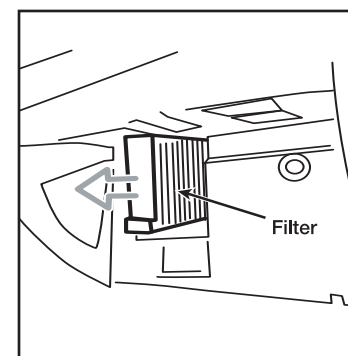


Figure 3

**atp**  
professional auto parts®

1300 Pratt Boulevard  
Elk Grove Village, Illinois 60007  
Phone: 847-967-6790 Fax: 847-967-8686  
www.atp-inc.com • TRANSNET: 79122

# Interior Ventilation Filter Installation

## BMW 3 Series

Interior ventilation filter is located inside filter housing behind passenger side air output vents.

1. Disengage passenger side left and right air output vents at the top. (See Figure 1)  
*Note: On convertible models, the air output vents are not removed.*
2. Position the air output vents straight and remove. (See Figure 2)  
*Note: On convertible models, the upper screws are unfastened through the air output vents.*

3. Open glove box drawer. Unscrew glove box drawer bolts. (See Figure 3) Disengage compartment light socket and push towards rear.

4. Remove (2) screws at the bottom of the glove box drawer and remove glove box compartment from instrument panel. (See Figure 4)

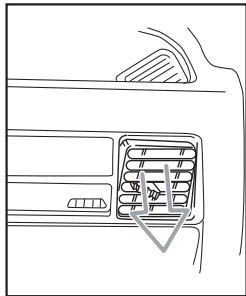


Figure 1

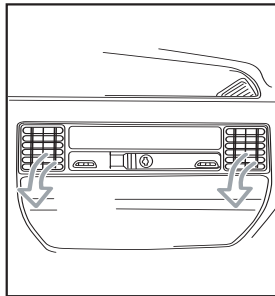


Figure 2

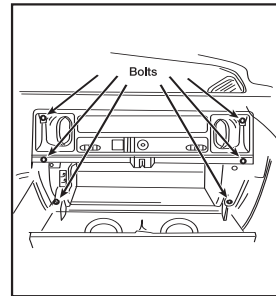


Figure 3

For glove boxes on models with central locking system, loosen screws and remove actuator motor for central locking. (See Figure 4 inset illustration)

5. Remove lower trim panel and unclip the vent duct for the foot well and lift out. (See Figure 5)
6. Remove (2) screws and tilt the control module holder in the downward direction. (See Figure 6)

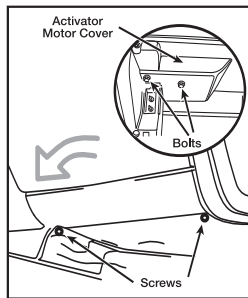


Figure 4

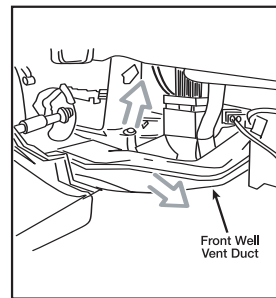


Figure 5

7. Turn housing cover knob about 45 degrees and remove cover. (See Figure 7)
8. Pull out vent filter towards foot well.
9. Installation is in the reverse order of removal.

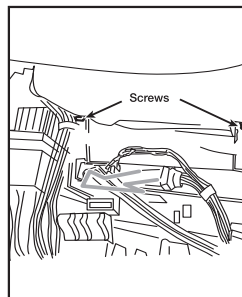


Figure 6

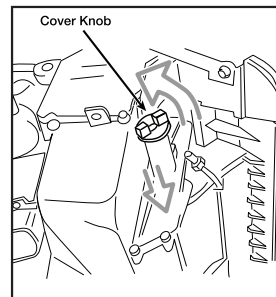


Figure 7

*Approximate Installation Time: 45 Minutes*



1300 Pratt Boulevard  
Elk Grove Village, Illinois 60007  
Phone: 847-967-6790 Fax: 847-967-8686  
www.atp-inc.com • TRANSNET: 79122

# Interior Ventilation Filter Installation

## Nissan Pathfinder, Infiniti QX4

Interior ventilation filter is located behind glove box assembly inside cooling unit.

1. Remove hinge pins from glove box compartment drawer. (See Figure 1)
2. Remove glove box mounting screws and remove glove box assembly from instrument panel. (See Figure 2) *Caution: Do not disconnect the yellow airbag electrical connector or disturb the airbag control module.*

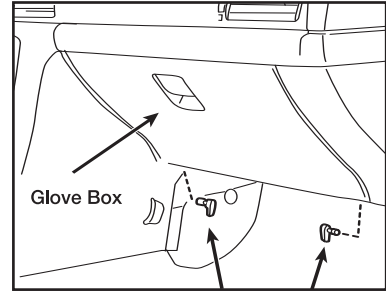


Figure 1

**Note:**

*Some applications may not have the vent filters installed inside the cooling unit and modifications must be done to install the vent filters. See instructions 3, 5, 6. For applications that do have the filters inside the cooling unit, see instructions 4, 5, 6.*

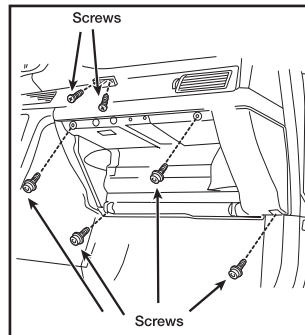


Figure 2

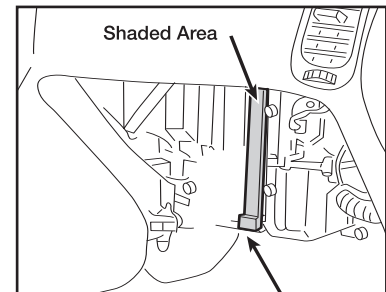


Figure 3A

3. Cut out the plastic section indicated by the shaded area on the cooling unit above the tab with a utility knife. (See Figure 3A) *Caution: Do not allow the cut plastic strip to fall inside the housing.*

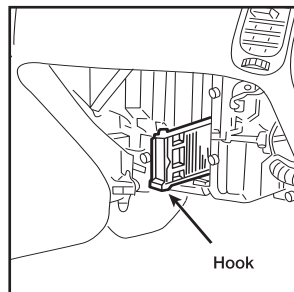


Figure 3B

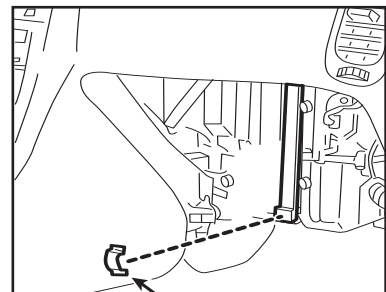


Figure 4

4. Remove vent filter clip. Slide bottom filter out towards rear of vehicle. Then pull down on top filter and slide out of cooling unit. (See Figure 3B)
5. The filters must be aligned with the plastic hook at the bottom. Insert top filter inside cooling unit first, then slide filter to the top. Insert the bottom filter and secure with vent filter clip. (See Figure 4)
6. Replace glove box assembly in the reverse order of removal.

*Approximate Installation Time: 30-40 Minutes*



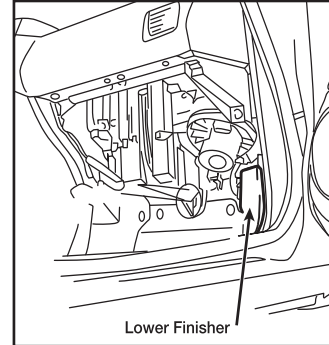
1300 Pratt Boulevard  
 Elk Grove Village, Illinois 60007  
 Phone: 847-967-6790 Fax: 847-967-8686  
 www.atp-inc.com • TRANSNET: 79122

# Interior Ventilation Filter Installation

## Nissan Altima, Infiniti G20

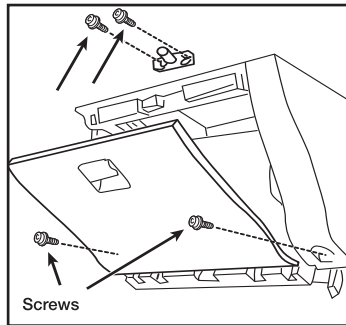
Interior ventilation filter is located behind glove box assembly inside cooling unit.

1. Remove the passenger side door seal adjacent to the glove box assembly and lower finisher. For G20 models only, remove the lower finisher plastic nut and the metal clip on the side. (See Figure 1)
2. Open glove box drawer. Remove the screws securing the metal striker and the screws at the top corners of the glove box compartment. Remove screws at the bottom corners and disengage the clip securing the upper right corner of the glove box assembly. (See Figure 2) **Caution: Do not disconnect the yellow airbag electrical connector or disturb the airbag control module. Note: Some applications may not have vent filters installed inside the cooling unit and modifications must be done to install the filters. See instructions 3, 5, 6. For applications that do have the filters inside cooling unit, see instructions 4, 5, 6.**

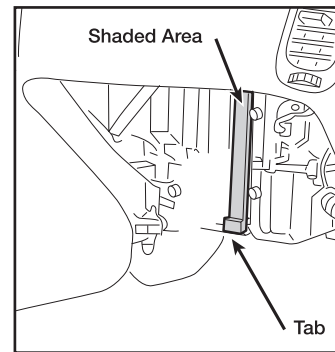


**Figure 1**

3. Cut out the plastic section indicated by the shaded area above the tab with a utility knife. (See Figure 3A) **Caution: Do not allow the cut plastic strip to fall inside the housing.**

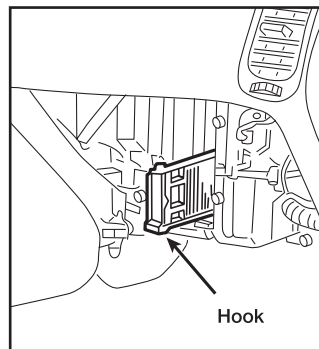


**Figure 2**



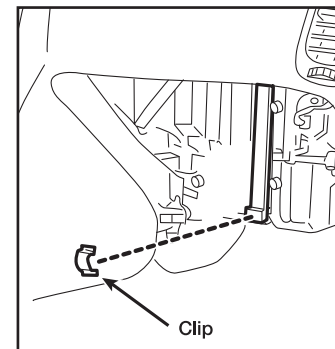
**Figure 3A**

4. Remove vent filter clip. Slide bottom filter out towards rear of vehicle. Then pull down on top filter and slide out of cooling unit. (See Figure 3B)



**Figure 3B**

5. The filters must be aligned with the plastic hook at the bottom. Insert top filter inside the cooling unit first, then slide filter to the top. Insert the bottom filter and secure with vent filter clip. (See Figure 4)



**Figure 4**

6. Replace glove box assembly in the reverse order of removal.

*Approximate Installation Time: 30-40 Minutes*



1300 Pratt Boulevard  
 Elk Grove Village, Illinois 60007  
 Phone: 847-967-6790 Fax: 847-967-8686  
 www.atp-inc.com • TRANSNET: 79122

# Interior Ventilation Filter Installation

## BMW 3 Series

Interior ventilation filter is located in the center of the cowl area underneath hood.

1. Open hood. Twist (3) spring loaded toggle screws by hand until they pop up. (See Figure 1)
2. Remove filter cover out towards front of vehicle.
3. Slide filter out towards the front of the vehicle and out of housing. (See Figure 2)
4. Install filter, housing cover, push down turn on spring loaded toggle screws until they are engaged.

*Approximate Installation  
Time: 15 Minutes*

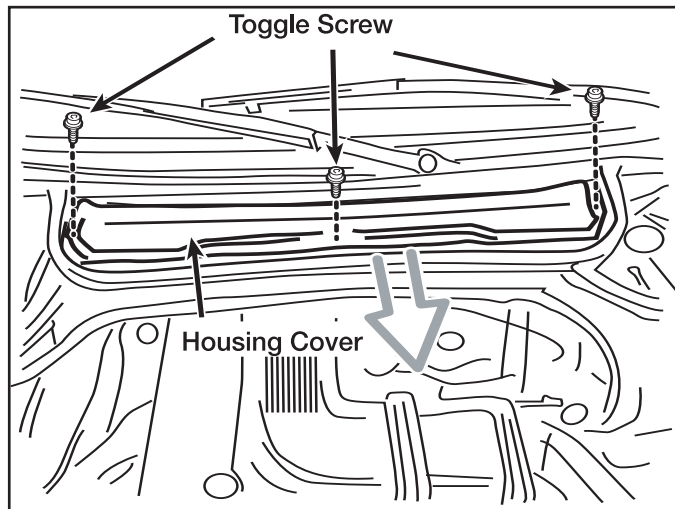


Figure 1

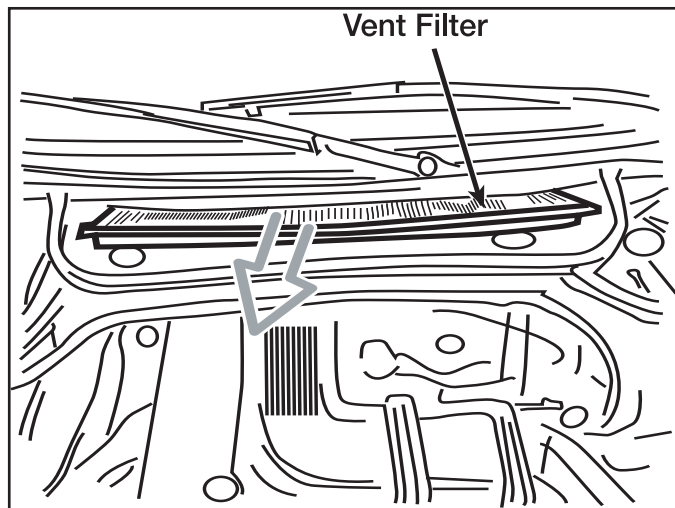


Figure 2

**atp**  
professional auto parts®

1300 Pratt Boulevard  
Elk Grove Village, Illinois 60007  
Phone: 847-967-6790 Fax: 847-967-8686  
www.atp-inc.com • TRANSNET: 79122

# Interior Ventilation Filter Installation

## *Mercedes-Benz CLK, SLK Class*

## *Chrysler Crossfire*

Interior ventilation filter is located behind the passenger side instrument panel.

1. Remove screws from instrument lower panel on passenger side foot well. Pull panel toward rear and remove. On SLK models, fold back carpeting. (See Figure 1)
2. Pull filter down and out. (See Figure 2)
3. Install filter, panel cover in the reverse order of removal.

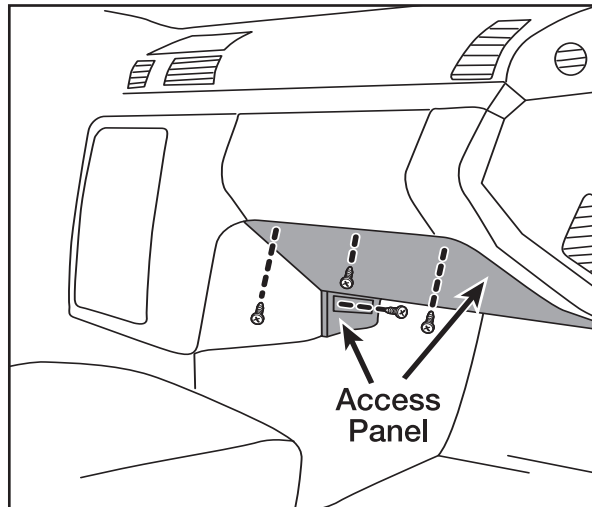


Figure 1

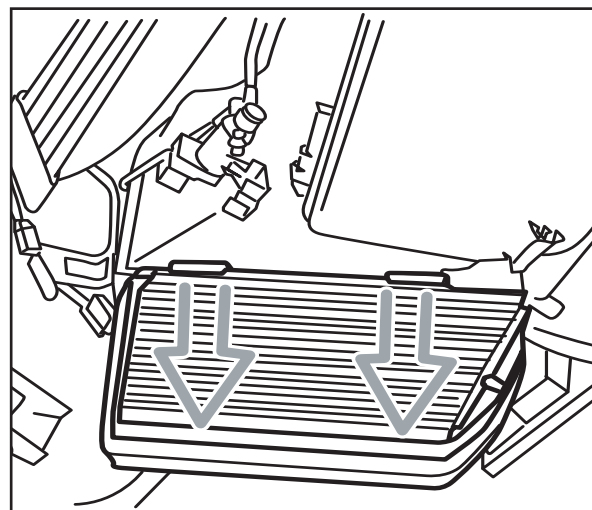


Figure 2

*Approximate Installation  
Time: 30 Minutes*

**atp**  
professional auto parts®

1300 Pratt Boulevard  
Elk Grove Village, Illinois 60007  
Phone: 847-967-6790 Fax: 847-967-8686  
www.atp-inc.com • TRANSNET: 79122

# Interior Ventilation Filter Installation

## Mercedes-Benz C Class

Interior ventilation filter is located behind the glove box.

1. Remove passenger side lower instrument panel cover by releasing clips. Some models may use retaining screws. (See Figure 1)
2. Slide filter down and out from filter housing. (See Figure 2)
3. Installation is in the reverse order of removal.

**Approximate Installation Time:  
20 Minutes**

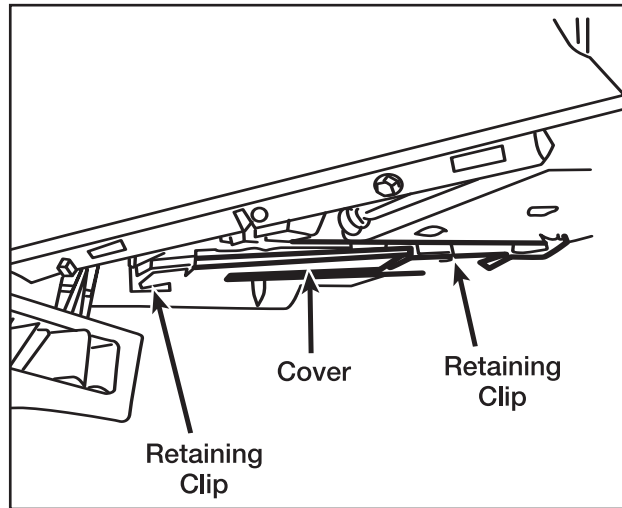


Figure 1

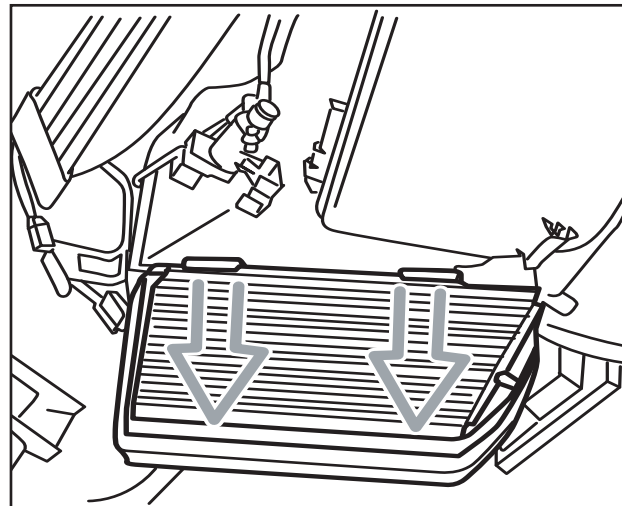


Figure 2

**atp**  
professional auto parts®

1300 Pratt Boulevard  
Elk Grove Village, Illinois 60007  
Phone: 847-967-6790 Fax: 847-967-8686  
www.atp-inc.com • TRANSNET: 79122

# Interior Ventilation Filter Installation

## *Mitsubishi Galant, Eclipse*

Interior ventilation filter is located behind glove box compartment inside filter housing.

**Note:** This filter can only be installed if equipped with Mitsubishi Interior Vent Filter Kit Part No. MR500360

1. Remove glove box assembly from instrument panel.
2. Remove the (2) screws retaining the filter frame from the housing and slide out. (See Figure 1)
3. Remove filter element from filter frame and replace filter. (See Figure 2)
4. Install filter frame back into housing and install filter frame retaining screws. Install glove box assembly back onto the instrument panel in the reverse order of removal.

**Approximate Installation Time:**  
30 Minutes

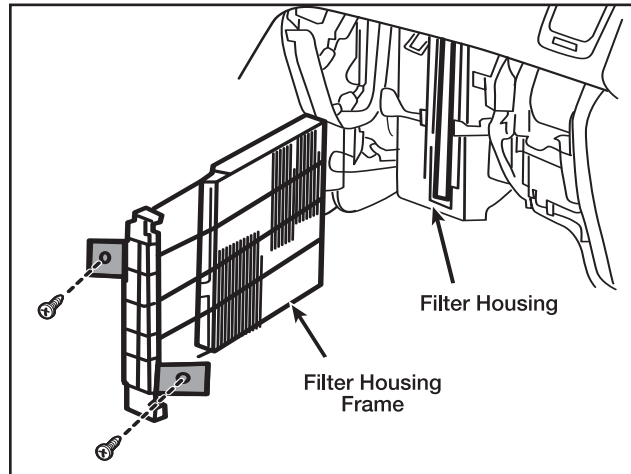


Figure 1

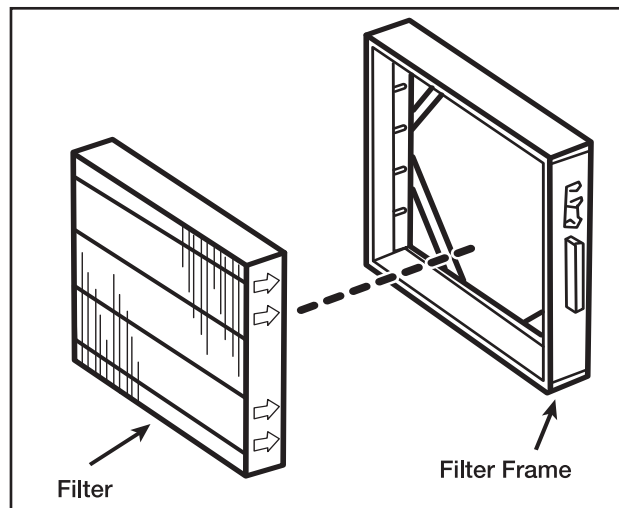


Figure 2

**atp**  
professional auto parts®

1300 Pratt Boulevard  
Elk Grove Village, Illinois 60007  
Phone: 847-967-6790 Fax: 847-967-8686  
www.atp-inc.com • TRANSNET: 79122

# Interior Ventilation Filter Installation

## Nissan Frontier, Xterra

Interior vent filter is located behind glove box assembly inside cooling unit.

1. Open glove box drawer. Remove (2) pivot pins and remove drawer from instrument panel. (See Figure 1)

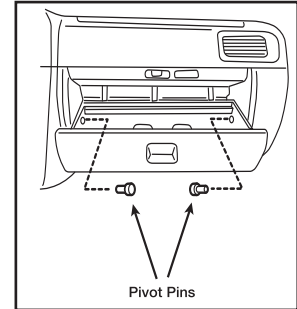


Figure 1

2. Remove (7) screws and (1) pin from reinforcement panel and remove reinforcement panel. (See Figure 2) **Caution: Do not disconnect the yellow airbag electrical connector or disturb the airbag control module.**

**Note: Some applications may not have the filters installed inside the cooling unit and modifications must be done to install the vent filters. See instructions 3, 5, 6. For applications that do have the filters inside cooling unit, see instructions 4, 5, 6.**

3. Cut out the plastic shaded area on the cooling unit above the tab using a utility knife. (See Figure 3A)

**Caution: Do not allow the cut plastic strip to fall inside the cooling unit.**

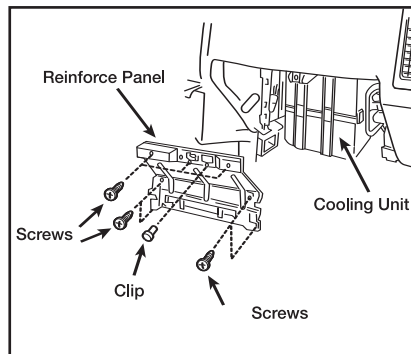


Figure 2

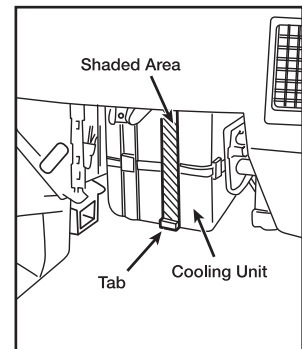


Figure 3A

4. Remove vent filter clip. Slide bottom filter out towards rear of vehicle. Then pull down on top filter and slide out of cooling unit. (See Figure 3B)

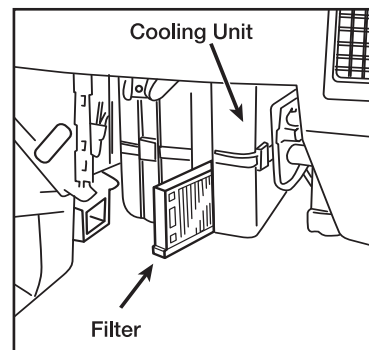


Figure 3B

5. The filters must be aligned with the plastic hook at the bottom. Insert top filter inside the cooling unit first, then slide filter to the top. Insert the bottom filter and secure with vent filter clip. (See Figure 4)

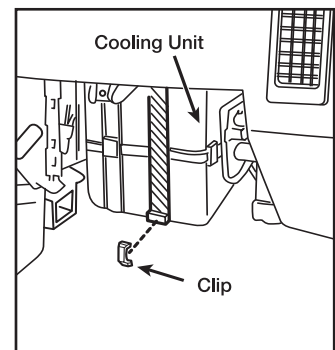


Figure 4

6. Replace reinforcement panel and glove box assembly in the reverse order of removal.

**Approximate Installation Time:**  
30-40 Minutes

atp

professional auto parts®

1300 Pratt Boulevard  
Elk Grove Village, Illinois 60007  
Phone: 847-967-6790 Fax: 847-967-8686  
www.atp-inc.com • TRANSNET: 79122

# Interior Ventilation Filter Installation

## *Mitsubishi Lancer, Outlander*

Interior ventilation filter is located inside the filter housing, behind the glove box compartment.

1. Open the glove box door.
2. Push on each side of the glove box door to release the stays and allow the glove box to swing down. (See Figure 1)
3. Remove (2) retaining screws from the filter housing cover and remove the cover. Slide filter out of housing. (See Figure 2)
4. Installation is in the reverse order of removal.

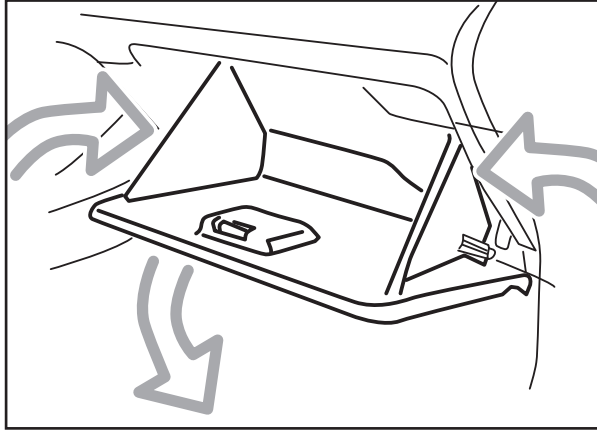


Figure 1

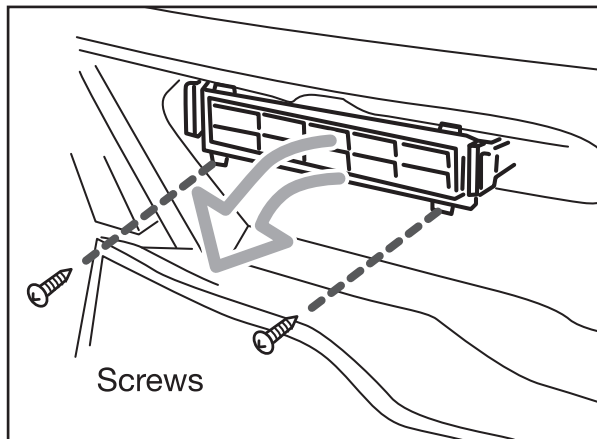


Figure 2

*Approximate Installation Time: 15 Minutes*

**atp**  
professional auto parts®

1300 Pratt Boulevard  
Elk Grove Village, Illinois 60007  
Phone: 847-967-6790 Fax: 847-967-8686  
www.atp-inc.com • TRANSNET: 79122

## Interior Ventilation Filter Installation

**Lexus ES350, GS300, GS350, GS430, GS450H, GS460, IS-F, IS250, IS350, LX570, RX350, Pontiac Vibe, Scion XB, XD, Toyota Avalon, Camry, Highlander, Land Cruiser, Matrix, RAV4, Sequoia, Tundra, Venza, Yaris**

Interior ventilation filter is located inside filter housing, behind the glove box door.

1. Open the glove box door.
2. At the right side of the glove box door, slide off connecting rod damper. (See Figure 1)
3. Push in on each side of the glove box door to release tabs, allow the glove box door to swing down. (See Figure 2)
4. Remove filter housing cover and slide filter out towards you. (See Figure 3)
5. Install in the reverse order of removal.

*Approximate Installation Time: 10 Minutes*

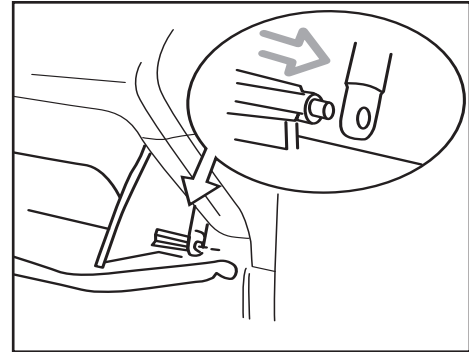


Figure 1

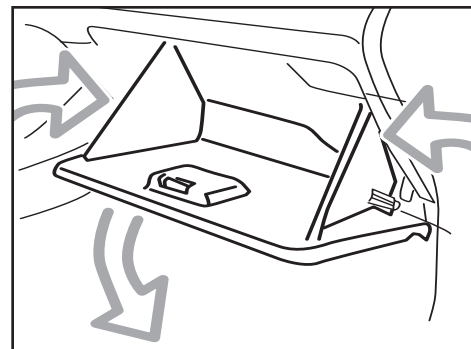


Figure 2

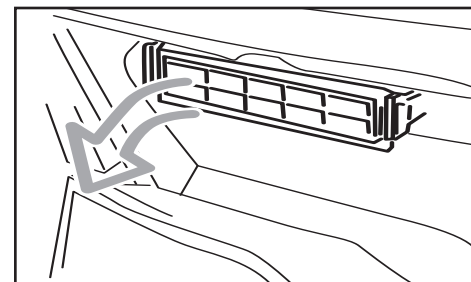


Figure 3

**atp**  
professional auto parts®

1300 Pratt Boulevard  
Elk Grove Village, Illinois 60007  
Phone: 847-967-6790 Fax: 847-967-8686  
www.atp-inc.com • TRANSNET: 79122

# Interior Ventilation Filter Installation

## Volvo S40, V40

Interior ventilation filter is located underneath the glove box door, above the passenger side kick panel.

1. Remove (2) retaining screws from the passenger side kick panel and remove kick panel. (See Figure 1)
2. Depress the tab that holds the vent filter access door from the housing and remove the door. (See Figure 2)
3. Slide the vent filter down and out to remove. Installation is in the reverse order of removal.

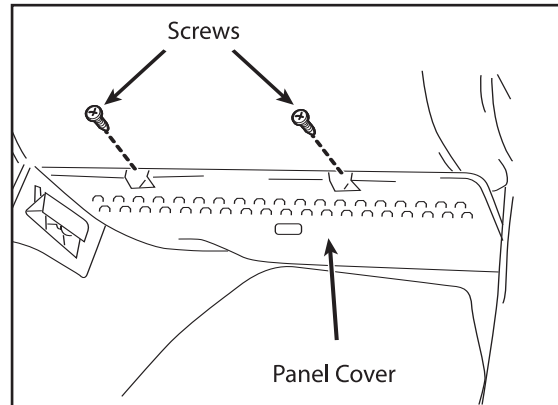


Figure 1

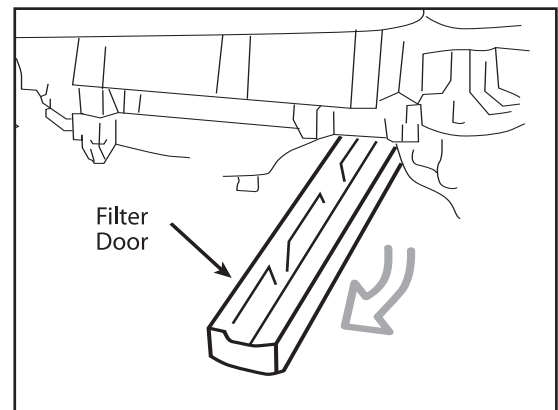


Figure 2

*Approximate Installation Time:  
5 Minutes*

**atp**  
professional auto parts®

1300 Pratt Boulevard  
Elk Grove Village, Illinois 60007  
Phone: 847-967-6790 Fax: 847-967-8686  
www.atp-inc.com • TRANSNET: 79122

# **Interior Ventilation Filter Installation**

## **Volvo 40, 50 Series**

Interior ventilation filter is located on the right side of the accelerator pedal.

- 1. Remove the dash panel that is behind the accelerator pedal to gain access to the filter housing cover. (See Figure 1)**
- 2. Remove filter housing cover and slide filter out. (See Figure 2)**
- 3. Install in the reverse order of removal.**

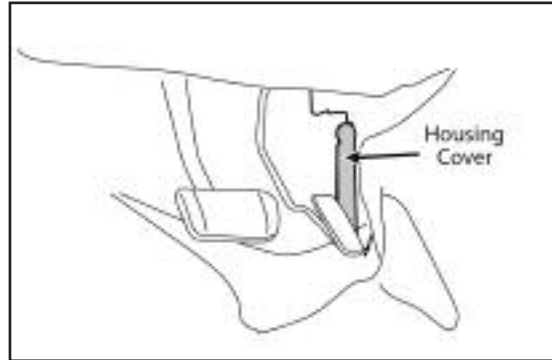


Figure 1

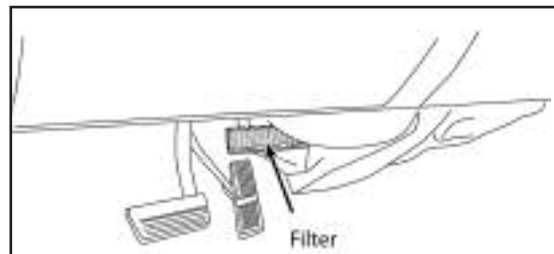


Figure 2

*Approximate install time: 10 minutes*

**atp**  
professional auto parts®

1300 Pratt Boulevard  
Elk Grove Village, Illinois 60007  
Phone: 847-967-6790 Fax: 847-967-8686  
www.atp-inc.com • TRANSNET: 79122

# Interior Ventilation Filter Installation

## *Suzuki Forenza, Reno*

Interior ventilation filter is located underneath the glove box compartment inside ventilation housing.

1. Remove screws from the lower glove box panel cover and set aside the panel cover. (See Figure 1)
2. Remove (4) retaining screws from the vent filter housing cover and remove cover (See Figure 2)
3. Slide the ventilation filter out of housing. (See Figure 3)
4. Install ventilation filter, housing cover and the (4) retaining screws in the reverse order of removal.

*Approximate install time: 15 minutes*

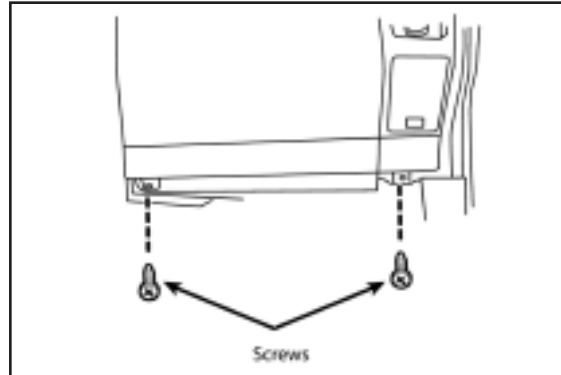


Figure 1

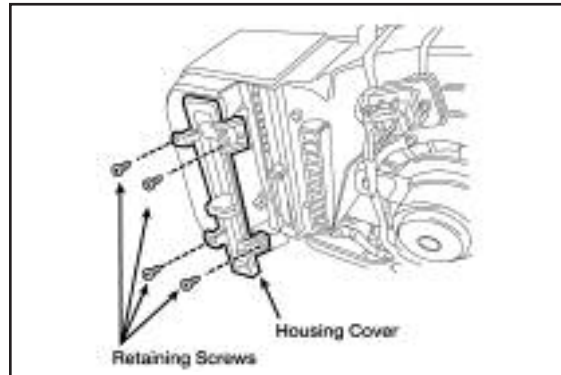


Figure 2

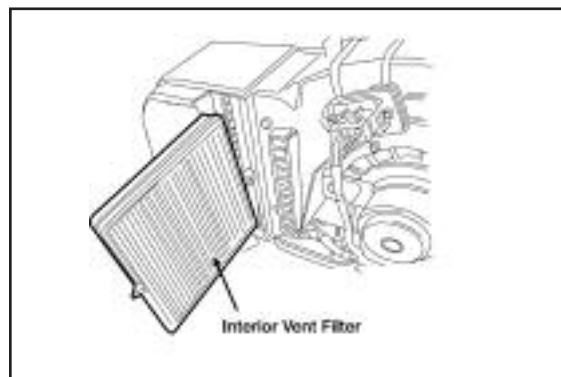


Figure 3

**atp**  
professional auto parts®

1300 Pratt Boulevard  
Elk Grove Village, Illinois 60007  
Phone: 847-967-6790 Fax: 847-967-8686  
www.atp-inc.com • TRANSNET: 79122

# Interior Ventilation Filter Installation

## Subaru Impreza

Interior ventilation filter is located inside filter housing behind the glove box compartment.

1. Open glove box door. Remove (9) bolts and (1) clip to remove glove box assembly. (See Figure 1)
2. Pull out filter housing cover and slide filter out of housing. (See Figure 2)
3. Install filter, filter housing cover and glove box assembly in the reverse order of removal.

*Approximate Installation Time:  
15 Minutes.*

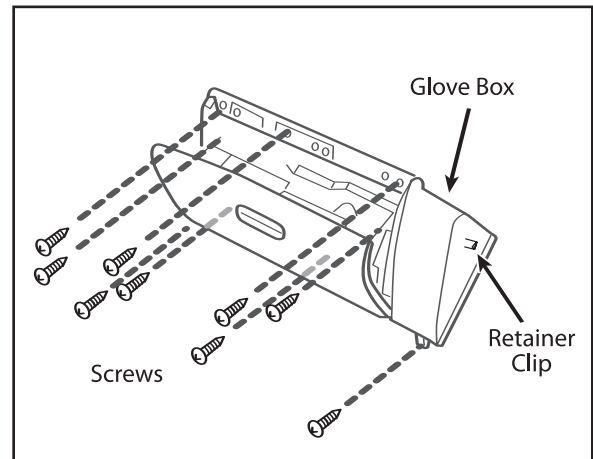


Figure 1

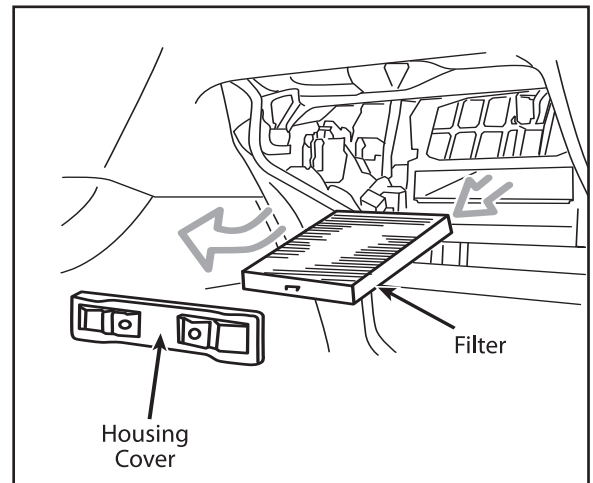


Figure 2

**atp**  
professional auto parts®

1300 Pratt Boulevard  
Elk Grove Village, Illinois 60007  
Phone: 847-967-6790 Fax: 847-967-8686  
www.atp-inc.com • TRANSNET: 79122

# Interior Ventilation Filter Installation

## Subaru Forester

Interior ventilation filter is located inside filter housing behind the glove box compartment.

1. Open glove box door. Remove (9) bolts to remove glove box assembly. (See Figure 1)

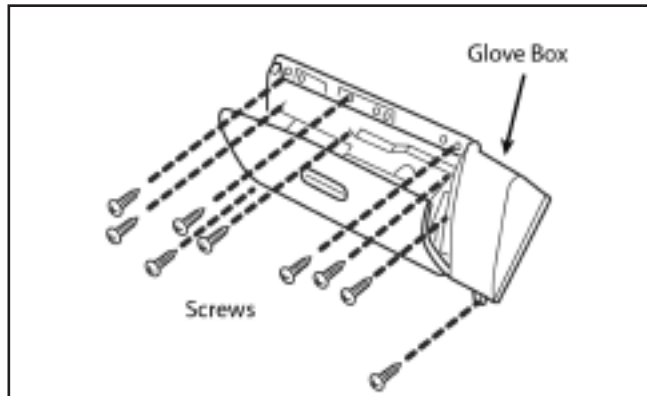


Figure 1

2. Pull out filter housing cover and slide filter out of housing. (See Figure 2)

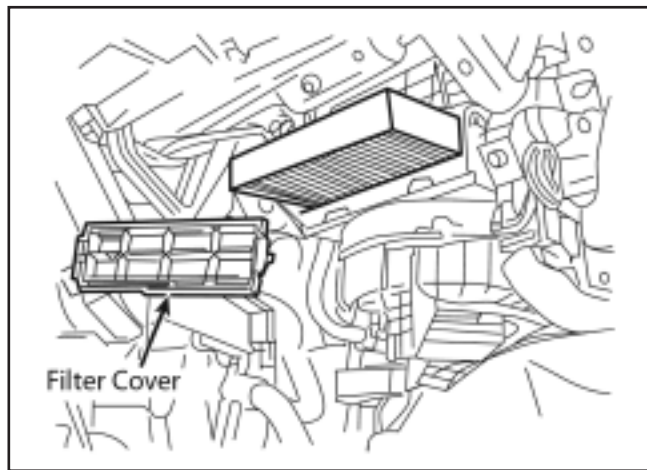


Figure 2

3. Install filter, filter housing cover and glove box assembly in the reverse order of removal.

*Approximate install time: 15 minutes*

**atp**  
professional auto parts®

1300 Pratt Boulevard  
Elk Grove Village, Illinois 60007  
Phone: 847-967-6790 Fax: 847-967-8686  
www.atp-inc.com • TRANSNET: 79122

# Interior Ventilation Filter Installation

## Subaru Legacy, Outback

Interior vent filter is located behind glove box door inside the cooling unit.

Open the glove box door. Push in on both sides of the glove box stops to disengage the stops to allow the glove box door to swing completely down. Remove the glove box door assembly mounting bolts and remove the center console paneling. Remove the glove box assembly and set aside. (See Figure 1)

Unplug the blower motor resistor connector from the resistor. Insert a flat tip screwdriver on the tops of the (4) mounting clips of the cooling unit cover. **DO NOT INSERT THE SCREWDRIVER AT THE MIDDLE OF THE CLIPS. YOU MAY DAMAGE THE CLIPS, COVER, AND RESISTOR.** Remove the cooling unit cover and slide both filters out of housing. (See Figure 2)

Install both filters inside the housing making sure that the filter assemblies slide appropriately into their corresponding slots and grooves inside the cooling unit. (See Figure 3)

Reinstall housing cover, clips and re-connect resistor connector. Re-assemble the glove box door assembly and center console panel in the reverse order of removal.

*Approximate install time: 15 Minutes*

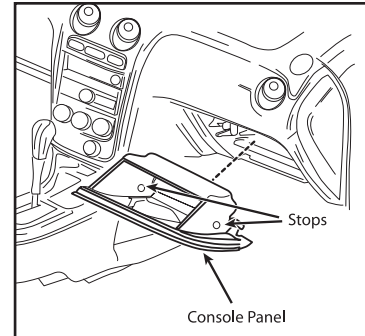


Figure 1

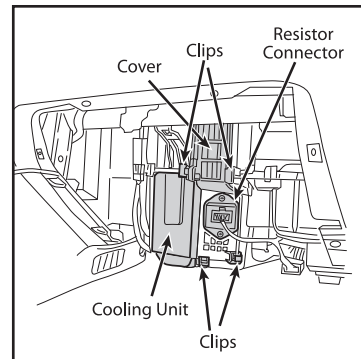


Figure 2

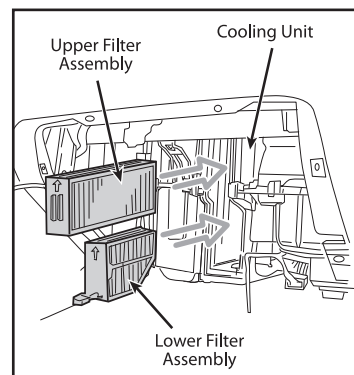


Figure 3

**atp**  
professional auto parts®

1300 Pratt Boulevard  
Elk Grove Village, Illinois 60007  
Phone: 847-967-6790 Fax: 847-967-8686  
www.atp-inc.com • TRANSNET: 79122

# Interior Ventilation Filter Installation

## *Nissan Frontier, Pathfinder*

Interior ventilation filter is located inside filter housing, behind the glove compartment door.

1. Open the glove box door.
2. Push in at each side of the glove box door to lower it until it hangs straight down. (See Figure 1)
3. Remove filter housing cover. (See Figure 2)
4. Slide filter out towards you and replace in the reverse order of removal. (See Figure 3)

**Approximate Installation Time:**  
**10 Minutes**

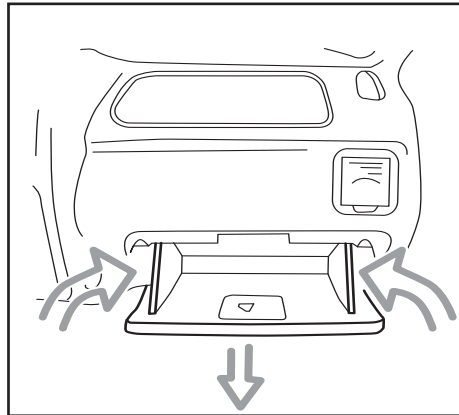


Figure 1

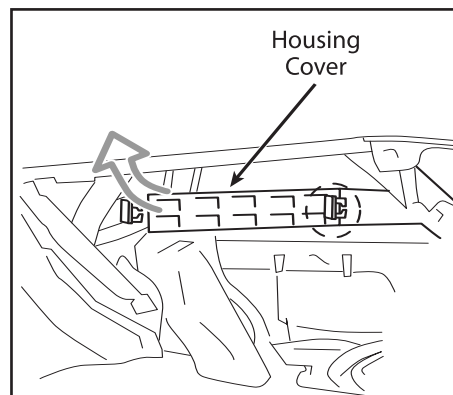


Figure 2

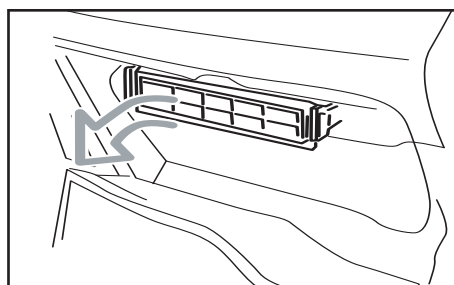


Figure 3

**atp**  
professional auto parts®

1300 Pratt Boulevard  
Elk Grove Village, Illinois 60007  
Phone: 847-967-6790 Fax: 847-967-8686  
www.atp-inc.com • TRANSNET: 79122

# Interior Ventilation Filter Installation

Interior ventilation filter is located underneath the passenger side dashboard.

**1. Remove (4) to (5) filter housing cover screws. Remove vent filter housing cover. (See Figure 1)**

**2. Pull down on the filter's tab and remove filter straight down.**

**3. Installation is in the reverse order of removal.**

*Approximate install time: 10 minutes*

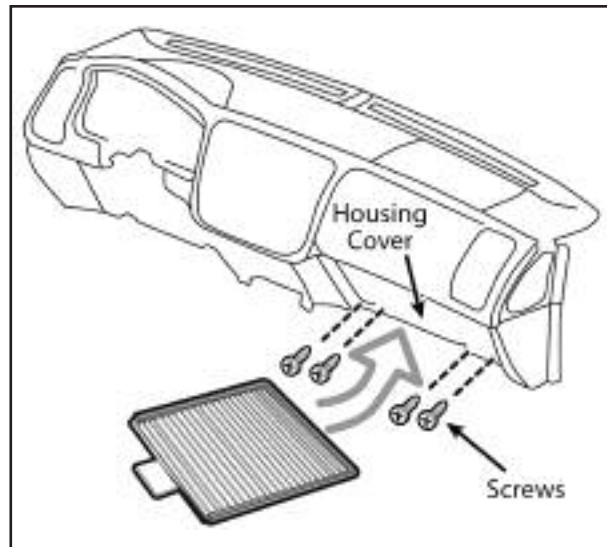


Figure 1

**atp**  
professional auto parts®

1300 Pratt Boulevard  
Elk Grove Village, Illinois 60007  
Phone: 847-967-6790 Fax: 847-967-8686  
www.atp-inc.com • TRANSNET: 79122

# Interior Ventilation Filter Installation

## Hyundai Sonata, XG350

Interior ventilation filter is located inside the filter housing behind the glove box door assembly.

1. Open the glove box door. Push in and release the glove box stops. Allow the glove box door to swing completely down and remove the (2) lower glove box door assembly mounting screws. Remove the (3) upper glove box door assembly screws and remove glove box door assembly. (See Figure 1)
2. Remove filter housing cover and slide out filter from housing. (See Figure 2)
3. Installation is in the reverse order of removal.

*Approximate Installation Time:*  
**10 Minutes**

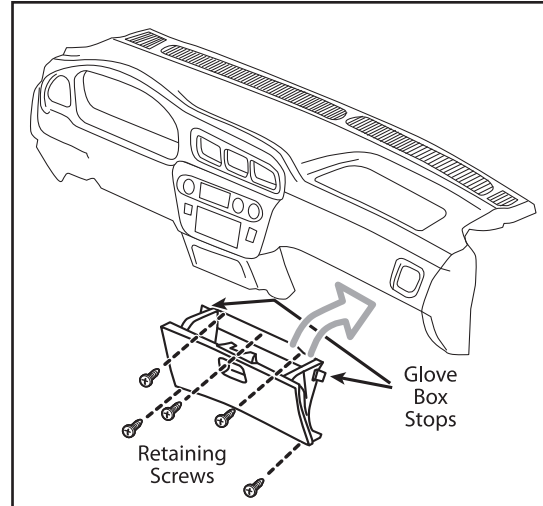


Figure 1

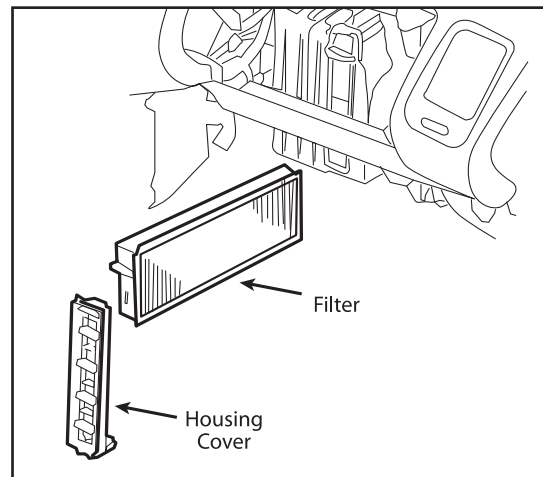


Figure 2

**atp**  
professional auto parts®

1300 Pratt Boulevard  
Elk Grove Village, Illinois 60007  
Phone: 847-967-6790 Fax: 847-967-8686  
www.atp-inc.com • TRANSNET: 79122

# Interior Ventilation Filter Installation

## Hyundai Tucson

Interior ventilation filter is located inside the cooling unit behind the glove box door.

1. Open glove box door.  
Remove both of the glove box stops located on both sides of the inner part of the glove box door. Remove the right arm clip located on the right side of the door assembly and allow the glove box door to swing down. (See Figure 1)

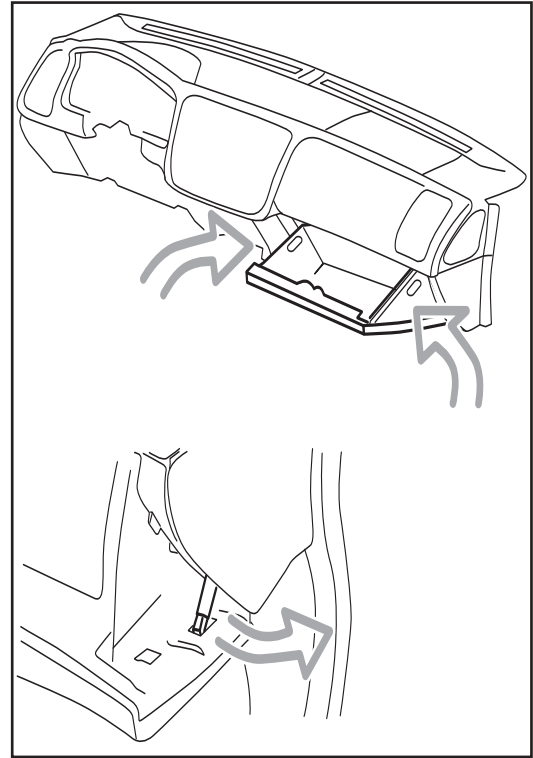


Figure 1

2. Remove the cooling unit cover and slide filter out towards you. (See Figure 2)
3. Install filter, cooling cover and glove box door in the reverse order of removal.

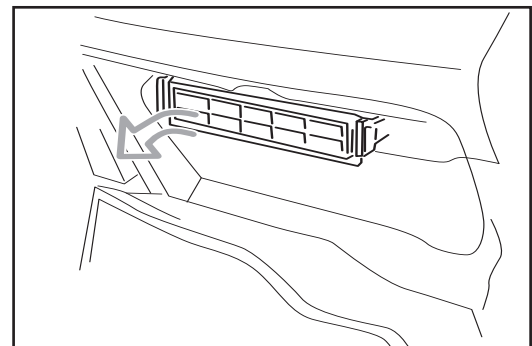


Figure 2

*Approximate Installation Time:*  
**5 Minutes**

**atp**  
professional auto parts®

1300 Pratt Boulevard  
Elk Grove Village, Illinois 60007  
Phone: 847-967-6790 Fax: 847-967-8686  
www.atp-inc.com • TRANSNET: 79122

# Interior Ventilation Filter Installation

## Hyundai Accent

Interior ventilation filter is located inside cooling unit behind glove box door.

**1. Open the glove box door. Release both glove box stops and allow the glove box door to swing down. (See Figure 1)**

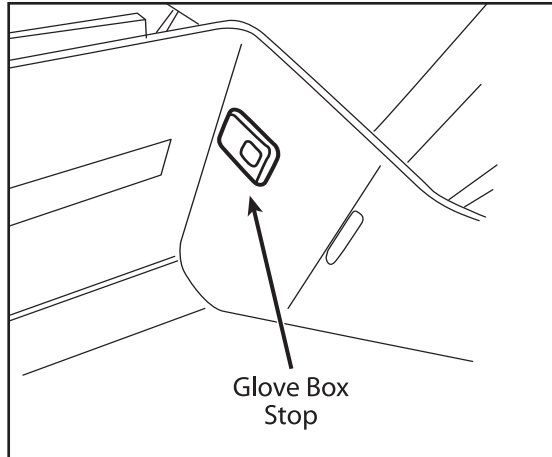


Figure 1

**2. Remove the cooling unit cover and remove (2) filters. (See Figure 2)**

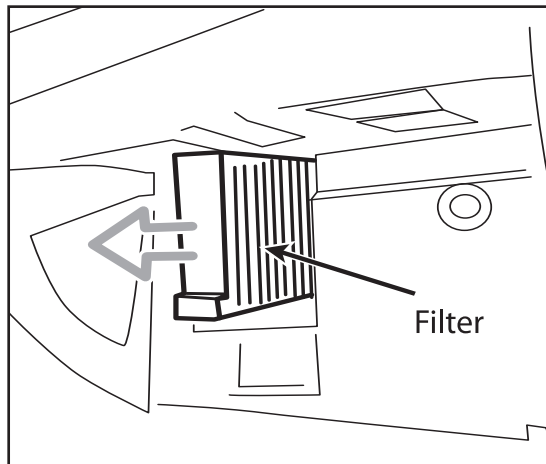


Figure 2

**3. Installation is in the reverse order of removal.**

**Approximate Installation Time:  
5 Minutes**



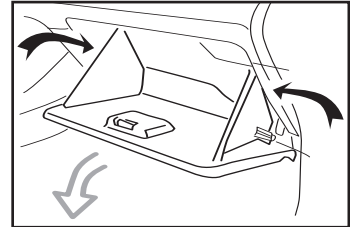
1300 Pratt Boulevard  
Elk Grove Village, Illinois 60007  
Phone: 847-967-6790 Fax: 847-967-8686  
www.atp-inc.com • TRANSNET: 79122

# Interior Ventilation Filter Installation

## BMW 525i, 525iT, 530i, 535i, 540i – 735i, 735iL, 740i, 740iL, 750iL

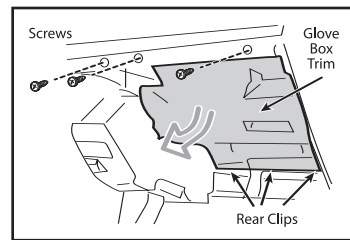
Interior ventilation filter is located under the passenger's side dash board behind the glove box compartment.

Open glove box door. Disconnect the left and right side retaining straps from the glove box door. Disengage the both sides of the glove box door stops to remove the assembly. (See Figure 1)



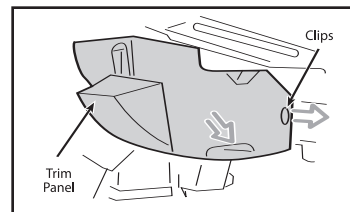
**Figure 1**

Remove (3) screws from the glove compartment trim panel and pull it forward out from the rear clips. (See Figure 2)



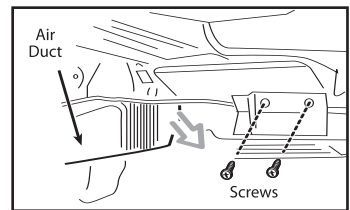
**Figure 2**

Remove the passenger's side footwell trim cover by pulling it out from its clips. (See Figure 3)



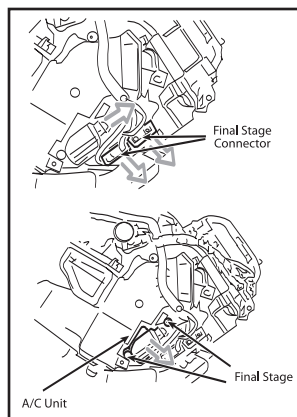
**Figure 3**

Remove (2) air duct retaining screws and remove the air duct. (See Figure 4)



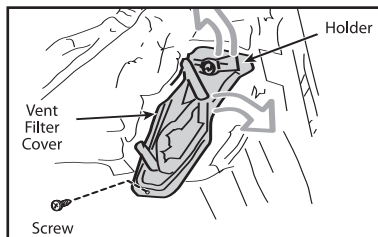
**Figure 4**

Disconnect the electrical connections off of the air conditioning unit and move the harness aside. Disconnect the plug off of the final stage unit and remove the final stage from the air conditioning unit. (See Figure 5)



**Figure 5**

Remove the interior vent filter cover screw. Turn the holder on the passenger side of the heater box 90 degrees and remove the vent filter cover. Slide interior vent filter out towards the passenger side door. (See Figure 6)



**Figure 6**

Installation is in the reverse order of removal.

**Approximate Installation Time:**  
**30 Minutes**

**atp**  
professional auto parts®

1300 Pratt Boulevard  
Elk Grove Village, Illinois 60007  
Phone: 847-967-6790 Fax: 847-967-8686  
www.atp-inc.com • TRANSNET: 79122

# Interior Ventilation Filter Installation

## BMW 745i

Interior ventilation filters are located underneath hood on the passenger and driver's side of the cowl panel.

1. Open and secure the hood.
2. Press and release the left retaining clip for the passenger side filter housing cover. Press and release the right retaining clip on the cover and fold up cover towards the windshield. (See Figure 1)
3. Use the same procedure as on Figure 1 to remove the cover for the driver's side interior vent filter housing cover.
4. Remove both filters and install in the reverse order of removal. (See Figure 2)

*Approximate Installation Time:*  
10 Minutes

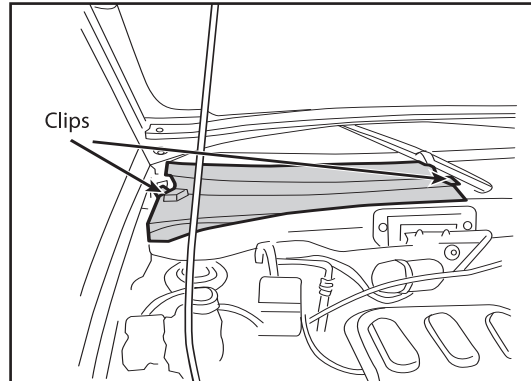


Figure 1

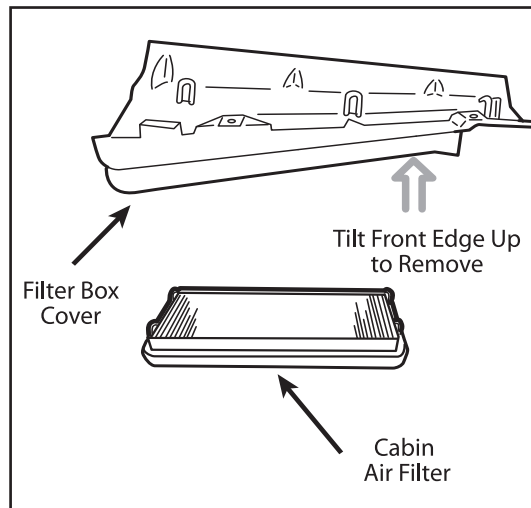


Figure 2

**atp**  
professional auto parts®

1300 Pratt Boulevard  
Elk Grove Village, Illinois 60007  
Phone: 847-967-6790 Fax: 847-967-8686  
www.atp-inc.com • TRANSNET: 79122

# Interior Ventilation Filter Installation

## BMW 740i, 740iL, 750iL

Interior ventilation filters are located on the underside of the hood.

1. Open and secure the hood.
2. Remove each filter housing cover screws.  
(See Figure 1)
3. Open the filter housing covers and remove the filters. (See Figure 2)
4. Install both filters, close the filter housing covers and re-install screws.

*Approximate Installation Time:*  
**5 Minutes**

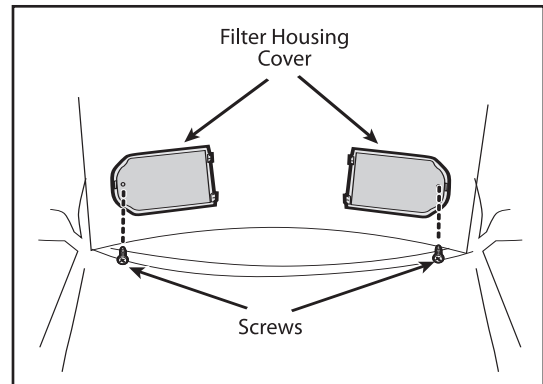


Figure 1

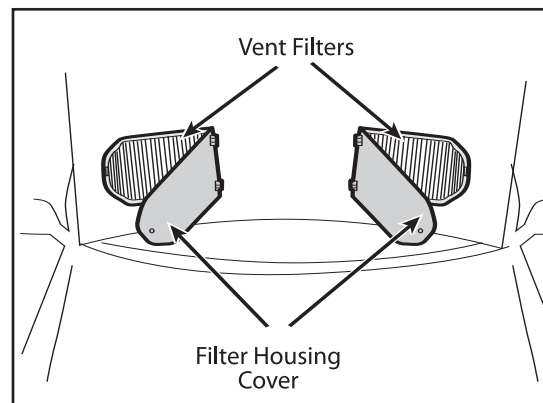


Figure 2

**atp**  
professional auto parts®

1300 Pratt Boulevard  
Elk Grove Village, Illinois 60007  
Phone: 847-967-6790 Fax: 847-967-8686  
www.atp-inc.com • TRANSNET: 79122

# Interior Ventilation Filter Installation

## BMW Z4

Interior vent filter is located above passenger side kick panel.

Remove (3) screws from the passenger side kick panel. Release (3) retaining tabs to release the kick panel. (See Figure 1)

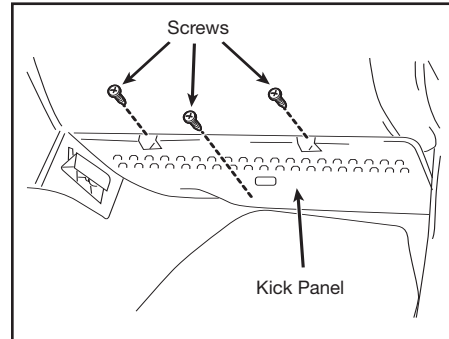


Figure 1

Remove the kick panel by sliding the panel away from the mounting area and pulling downwards. (See Figure 2)

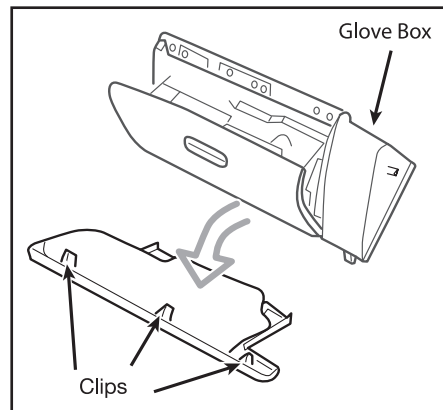


Figure 2

Disconnect the electrical plug connections from the harness that is attached on the kick panel. (See Figure 3)

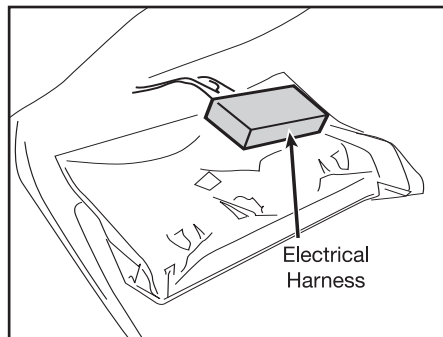


Figure 3

Locate vent filter housing and slide the vent filter downwards. (See Figure 4)

Installation is in the reverse order of removal.

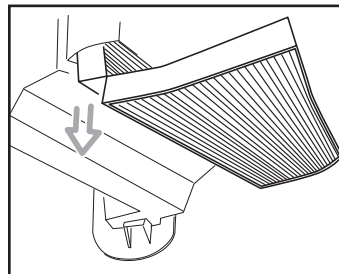


Figure 4

*Approximate Installation Time: 20 Minutes*

**atp**  
professional auto parts®

1300 Pratt Boulevard  
Elk Grove Village, Illinois 60007  
Phone: 847-967-6790 Fax: 847-967-8686  
www.atp-inc.com • TRANSNET: 79122

# Interior Ventilation Filter Installation

## Mercedes-Benz E320, E420, E500

Interior ventilation filters are located under the hood at the center of the cowl area underneath the windshield wiper arm.

Open and secure hood. Detach the weather stripping by pulling upwards and off to the right side of the windshield wiper arm.

Release the (2) upper center cover retainer clips and then the cover. Remove the (2) screws from the left water drain cover and disengage the clips to remove the water drain cover. (See Figure 1)

Remove the left and right air inlet retaining screws and lift the air inlets upwards. (See Figure 2)

Fold the vent filter retaining brackets downwards and lift the first vent filter half upwards then pull out towards the left side. Lift the second vent filter half upwards and remove from the left side. (See Figure 3)

Install the vent filter halves in the reverse order of removal insuring that they are properly positioned in the clamping brackets and properly engaged to each other at the filter's separation bead.

*Approximate Installation Time: 30 Minutes*

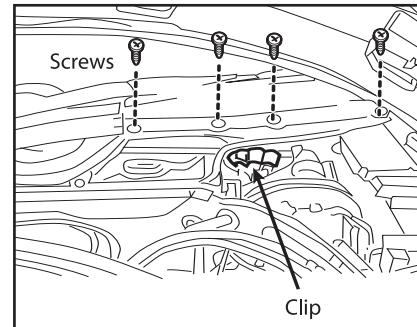


Figure 1

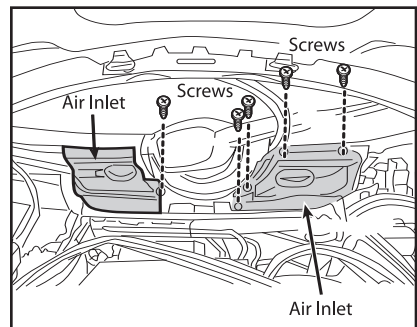


Figure 2

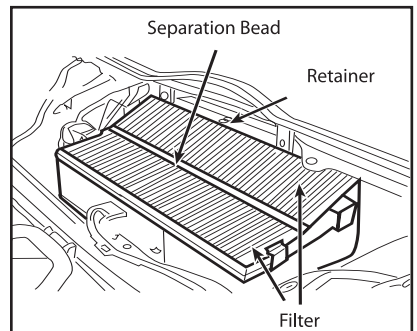


Figure 3

**atp**  
professional auto parts®

1300 Pratt Boulevard  
Elk Grove Village, Illinois 60007  
Phone: 847-967-6790 Fax: 847-967-8686  
www.atp-inc.com • TRANSNET: 79122

# Interior Ventilation Filter Installation

## Mercedes Benz SL Series, SLR McLaren

Interior Ventilation Filters are Located above the Passenger Side Instrument Panel Cover.

1. Remove passenger side panel cover mounting screws. Pull the front edge of panel cover towards the rear and disconnect the electrical light connection. (See Figure 1)
2. Slide the filter housing cover to gain access to the filters. (See Figure 2)
3. Slide (2) filters down and out towards passenger floor. (See Figure 3)
4. Installation is in the reverse order of removal.

*Approximate install time: 15 minutes*

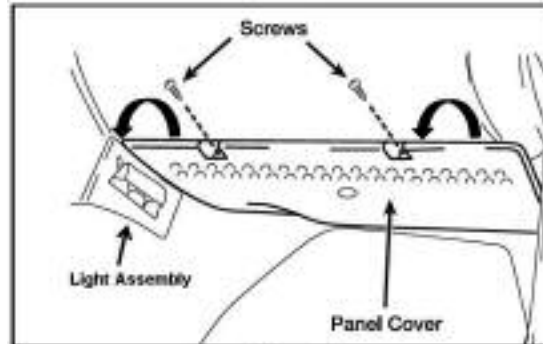


Figure 1

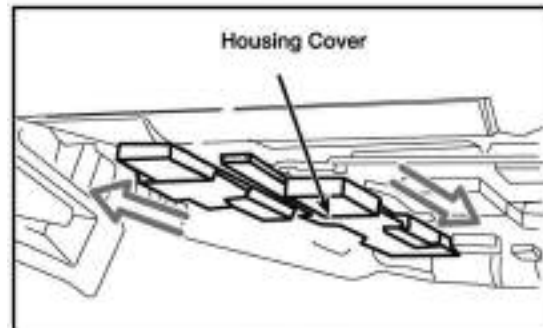


Figure 2

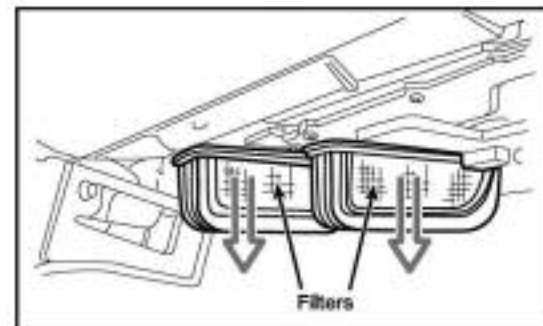


Figure 3

**atp**  
professional auto parts®

1300 Pratt Boulevard  
Elk Grove Village, Illinois 60007  
Phone: 847-967-6790 Fax: 847-967-8686  
www.atp-inc.com • TRANSNET: 79122

# Interior Ventilation Filter Installation

## Mercedes-Benz C, CLK Class

Interior ventilation filters are located underneath the passenger side cowl area under the hood.

1. Open and secure the hood.
2. Detach the retaining clips from the vent filter housing cover. Remove the cover by pulling the cover towards the windshield to remove. (See Figure 1)
3. Remove the (2) vent filters.
4. Install in the reverse order of removal.

*Approximate install time: 5 minutes*

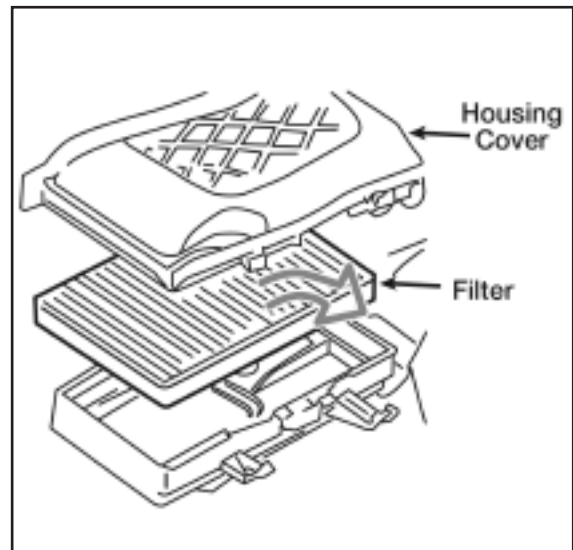


Figure 1

**atp**  
professional auto parts®

1300 Pratt Boulevard  
Elk Grove Village, Illinois 60007  
Phone: 847-967-6790 Fax: 847-967-8686  
www.atp-inc.com • TRANSNET: 79122

# Interior Ventilation Filter Installation

## Mini Cooper, Cooper S

Interior ventilation filter is located on the passenger's side foot-well above the kick panel.

**1. Remove the (4) screws securing the passenger side kick panel. Remove the kick panel to gain access to the filter housing cover. (See Figure 1)**

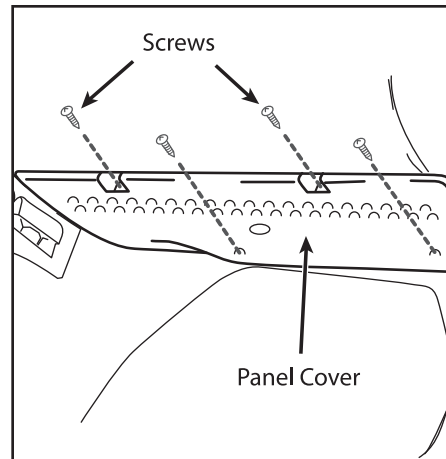


Figure 1

**2. Remove the housing cover and slide filter out and towards the passenger side door. (See Figure 2)**

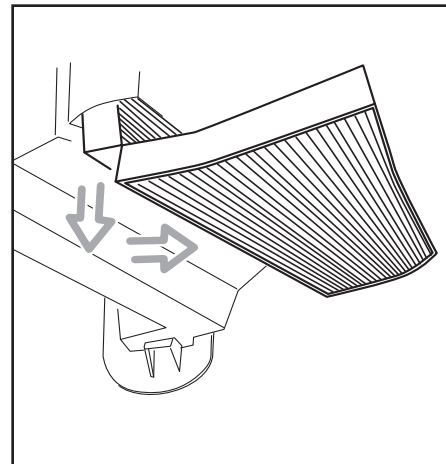


Figure 2

**3. Install vent filter assuring that the filter is properly engaged to the slide and grooves of the housing. Install housing cover and kick panel.**

**Approximate Installation Time: 10 Minutes**

**atp**  
professional auto parts®

1300 Pratt Boulevard  
Elk Grove Village, Illinois 60007  
Phone: 847-967-6790 Fax: 847-967-8686  
www.atp-inc.com • TRANSNET: 79122

# Interior Ventilation Filter Installation

## *Kia Amanti*

Interior ventilation filter is located behind the glove box compartment assembly inside the vent filter housing.

1. Open the glove box door. Push in on both glove box stays from the outside of the door to release the stays. Allow glove box door to swing down and remove the attaching tension cord from the back of the door. (See Figure 1)
2. Reach into the glove box compartment opening and locate the ventilation housing. Push in the ventilation filter housing cover knob and remove the cover. Slide vent filter out towards you. (See Figure 2)
3. Install vent filter, filter housing cover, and glove box door assembly in the reverse order of removal.

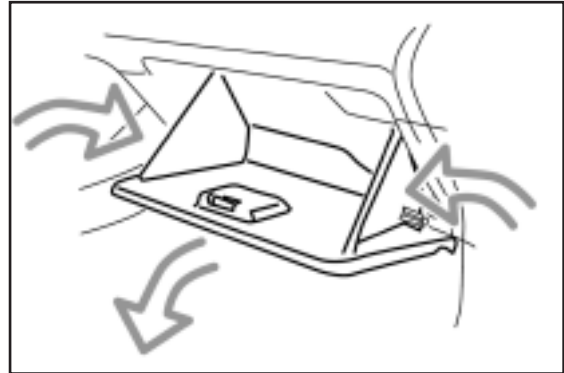


Figure 1

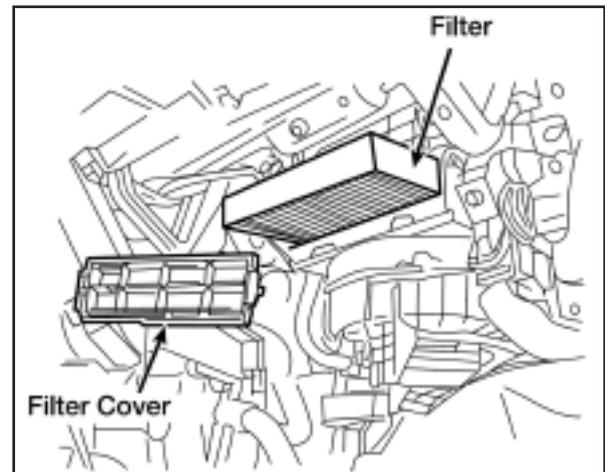


Figure 2

*Approximate install time: 10-15 minutes*

**atp**  
professional auto parts®

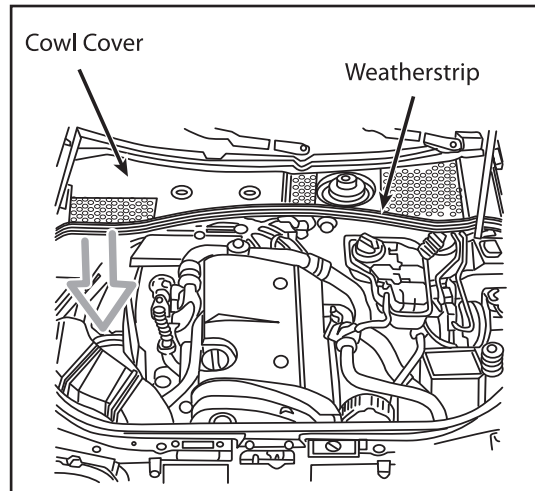
1300 Pratt Boulevard  
Elk Grove Village, Illinois 60007  
Phone: 847-967-6790 Fax: 847-967-8686  
www.atp-inc.com • TRANSNET: 79122

# **Interior Ventilation Filter Installation**

## **Audi A4, A4 Quattro, A6, A6 Quattro, Allroad Quattro, RS4, RS6, S4, S6**

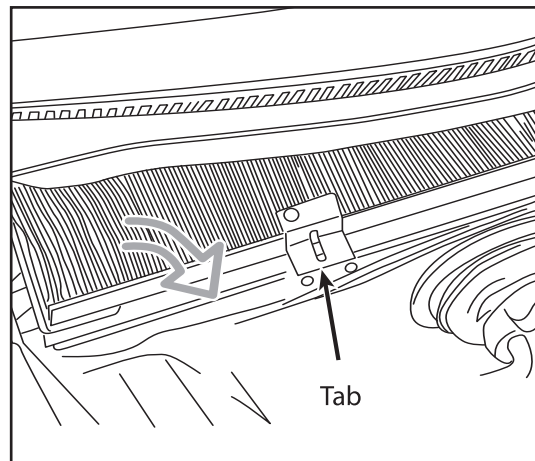
Interior ventilation filter is located underneath the hood by the passenger side cowl area.

**1. Open and secure the hood. Pull off and set aside the weather striping. Remove the cowl cover by pulling up then sliding cover out. (See Figure 1)**



**Figure 1**

**2. Release the retaining tab and pull filter out. (See Figure 2)**



**Figure 2**

**3. Install in the reverse order of removal.**

***Approximate Installation Time:  
5 Minutes***

**atp**  
*professional auto parts®*

1300 Pratt Boulevard  
Elk Grove Village, Illinois 60007  
Phone: 847-967-6790 Fax: 847-967-8686  
www.atp-inc.com • TRANSNET: 79122

# Interior Ventilation Filter Installation

## Suzuki Verona

Interior ventilation filter is located underneath passenger side cowl cover underneath vehicle hood.

1. Lift open hood.
2. Gently remove the weather strip around the cowl cover and remove cowl cover retaining screws. (See Figure 1)
3. Remove the cowl cover to gain access to the ventilation filter. Lift filter out of housing. (See Figure 2)
4. Lift filter out of housing. (See Figure 3)
5. Install in the reverse order or removal.

*Approximate Installation Time:*  
**15 Minutes**

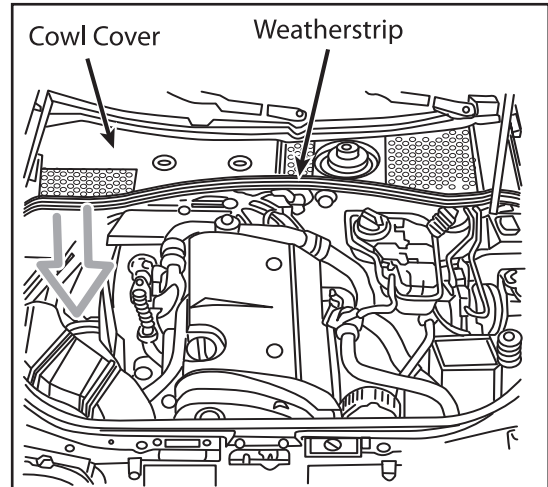


Figure 1

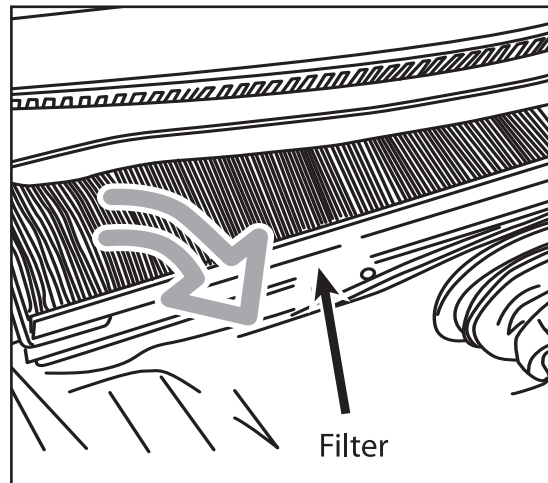


Figure 2

**atp**  
professional auto parts®

1300 Pratt Boulevard  
Elk Grove Village, Illinois 60007  
Phone: 847-967-6790 Fax: 847-967-8686  
www.atp-inc.com • TRANSNET: 79122

# **Interior Ventilation Filter Installation**

## ***Hyundai Accent***

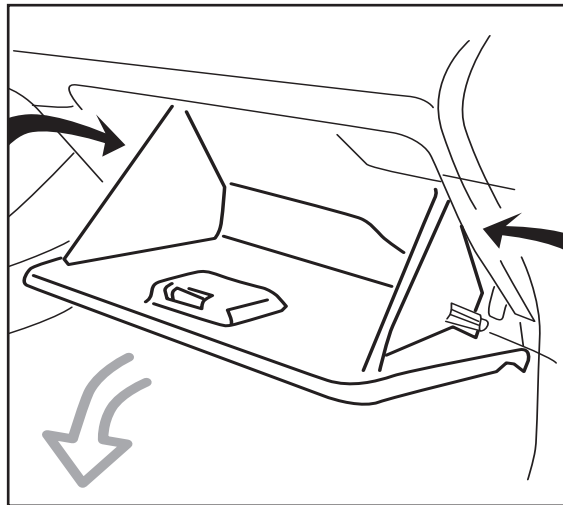
**Interior ventilation filter is located inside filter housing behind the glove box door.**

**Open the glove box door. Push in on both stops of the door to allow the door to swing completely down. (See Figure 1)**

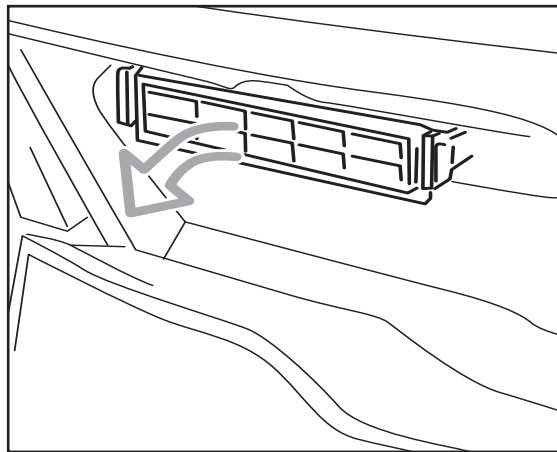
**Reach into the glove box cavity and pull out vent filter housing cover then the vent filter. (See Figure 2)**

**Installation is in the reverse order of removal.**

***Approximate Installation Time:***  
***5 Minutes***



**Figure 1**



**Figure 2**

**atp**  
*professional auto parts®*

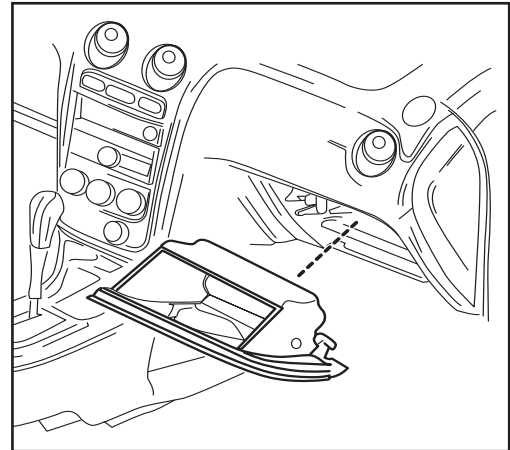
**1300 Pratt Boulevard  
Elk Grove Village, Illinois 60007  
Phone: 847-967-6790 Fax: 847-967-8686  
www.atp-inc.com • TRANSNET: 79122**

# **Interior Ventilation Filter Installation**

## ***Hyundai Elantra, Entourage, Tiburon, Kia Sedona***

**Interior ventilation filter is located in filter housing behind glove box compartment door.**

**Open and remove the glove box drawer from the instrument panel. (See Figure 1)**

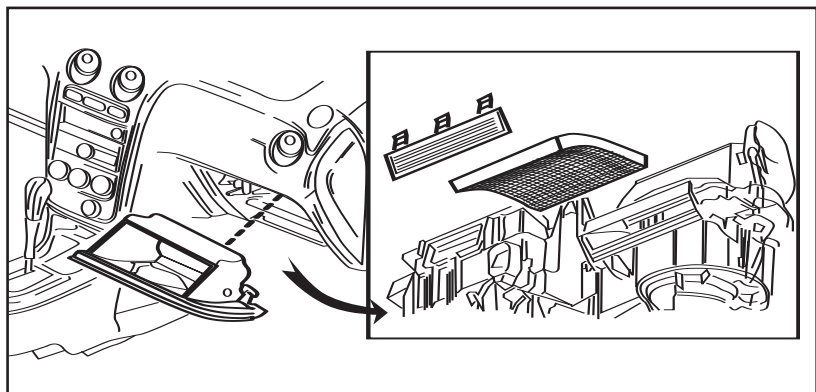


**Figure 1**

**Remove filter housing cover and slide filter out of housing. (See Figure 2)**

**Installation is in the reverse order of removal.**

***Approximate  
Installation Time:  
20 Minutes***



**Figure 2**

**atp**  
*professional auto parts®*

**1300 Pratt Boulevard  
Elk Grove Village, Illinois 60007  
Phone: 847-967-6790 Fax: 847-967-8686  
www.atp-inc.com • TRANSNET: 79122**

# Interior Ventilation Filter Installation

## *Hyundai Genesis Coupe, Tucson, Kia Forte, Rio, Rio5, Rondo, Sportage*

Interior ventilation filter is located in filter housing behind the glove compartment door.

1. Open the glove box door.
2. Tilt the glove compartment door down by squeezing on each side of the bin to remove stops from its tracks. Lower compartment door completely down.

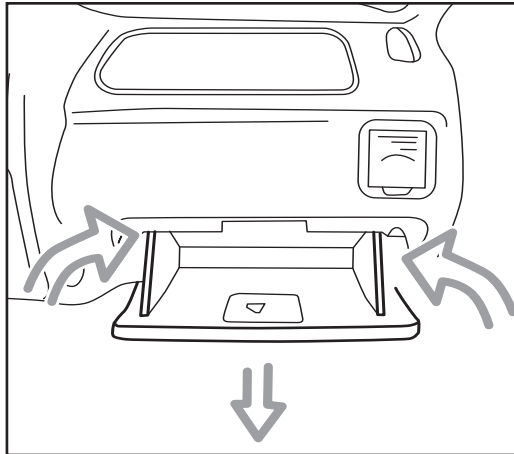


Figure 1

3. Reach through opening to gain access to the filter housing cover. Push on the cover knob to release cover. Remove cover and slide filter out of housing.

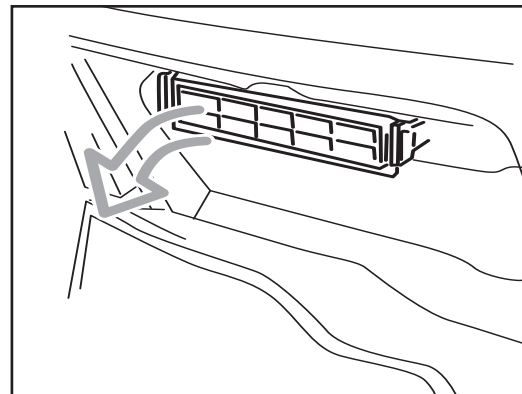


Figure 2

4. Install in the reverse order of removal.

*Approximate Installation Time:*

*10 Minutes*

**atp**  
professional auto parts®

1300 Pratt Boulevard  
Elk Grove Village, Illinois 60007  
Phone: 847-967-6790 Fax: 847-967-8686  
www.atp-inc.com • TRANSNET: 79122

# Interior Ventilation Filter Installation

## Hyundai Azera, Santa Fe, Sonata, Kia Magentis, Optima

Interior ventilation filter is located inside filter housing behind the glove box compartment door.

1. Open glove box compartment door and remove the door damper. (See Figure 1)
2. Push in on both stops of the glove box door to allow the door to swing completely down. (See Figure 2)
3. Reach into opening to gain access to the interior vent filter housing cover. Squeeze on all four tabs of the cover and pull out cover. (See Figure 3)
4. Slide filter out and replace in the reverse order of removal.

**Approximate Installation Time:**  
**15 Minutes**

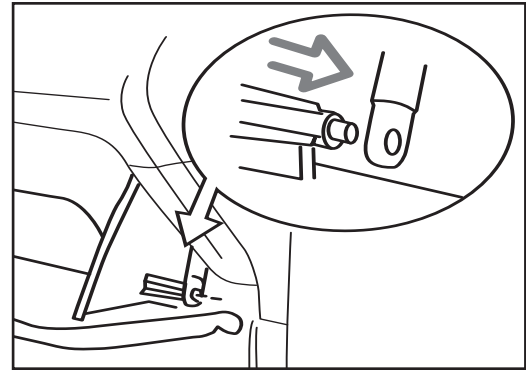


Figure 1

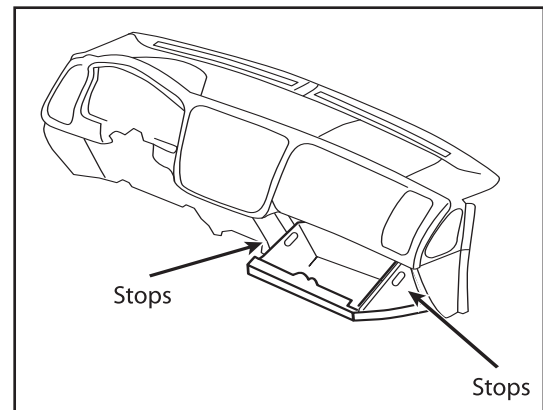


Figure 2

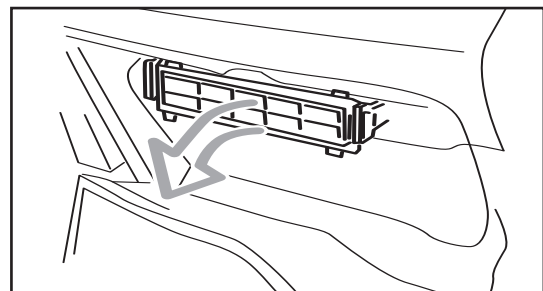


Figure 3

**atp**  
professional auto parts®

1300 Pratt Boulevard  
Elk Grove Village, Illinois 60007  
Phone: 847-967-6790 Fax: 847-967-8686  
www.atp-inc.com • TRANSNET: 79122

# Interior Ventilation Filter Installation

## BMW 5-Series

Interior ventilation filters are located on driver and passenger side, underneath hood in front of cowl area.

1. Open and secure hood. Locate filter housings on farthest left and right hand corners of the engine compartment. (See Figure 1)
2. Release the housing cover retaining rod in front of housing to remove the housing cover. Pull up on cover. (See Figure 2)
3. Lift up on the filter to remove from housing. (See Figure 3)
4. Repeat the same procedures for the removal of passenger side filter.
5. Installation is in the reverse order of removal.

*Approximate install time: 10 minutes*

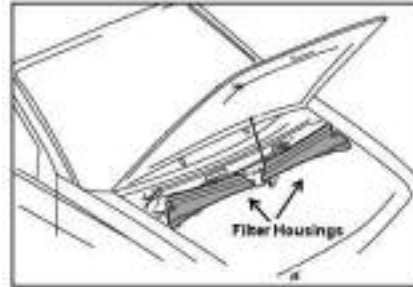


Figure 1

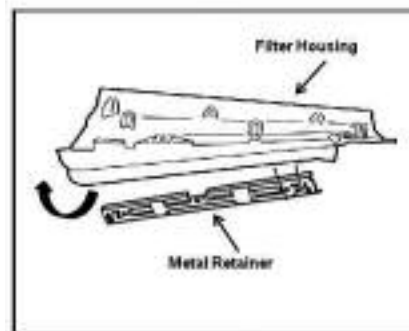


Figure 2

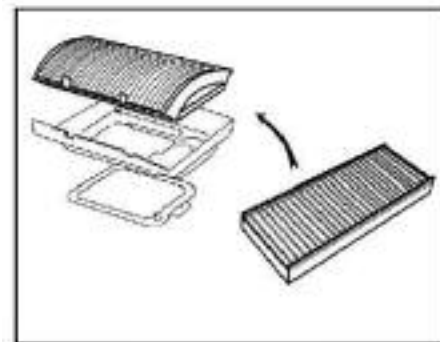


Figure 3

**atp**  
professional auto parts®

1300 Pratt Boulevard  
Elk Grove Village, Illinois 60007  
Phone: 847-967-6790 Fax: 847-967-8686  
www.atp-inc.com • TRANSNET: 79122

# Interior Ventilation Filter Installation

## Lexus LX470, Toyota Land Cruiser

Interior ventilation filter is located inside filter housing behind the glove box compartment.

**1. Remove (2) glove box compartment door retaining screws and remove the glove box door assembly.**

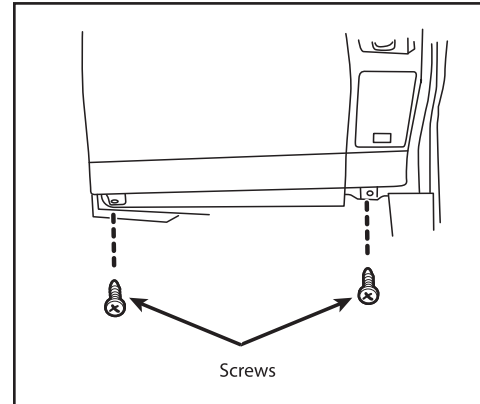
**(See Figure 1)**

**2. Remove the lower finish panel from the underside of the lower right side of the dash panel.**

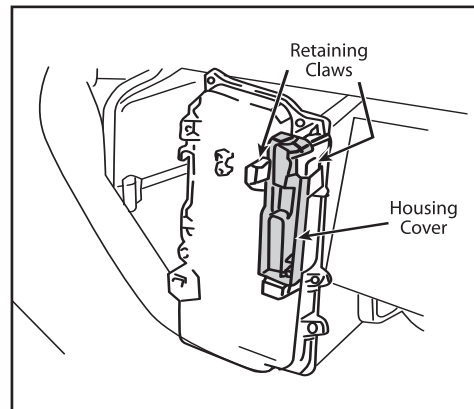
**3. Disengage the (2) retaining claws from the cover and remove cover. (See Figure 2)**

**4. Pull filter straight out and replace in the reverse order of removal. (See Figure 3)**

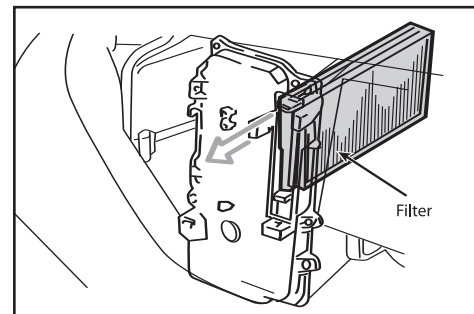
*Approximate Installation Time:  
20 Minutes*



**Figure 1**



**Figure 2**



**Figure 3**

**atp**  
professional auto parts®

1300 Pratt Boulevard  
Elk Grove Village, Illinois 60007  
Phone: 847-967-6790 Fax: 847-967-8686  
www.atp-inc.com • TRANSNET: 79122

# Interior Ventilation Filter Installation

## Mercedes Benz Smart Car

Interior ventilation filter is located behind the vehicle's front end body clip.

1. Twist and remove the vehicle's antenna by screwing off counter-clockwise.
2. Open both driver and passenger doors. Remove a size 30 Torx screw from each side of the mirror trim covers. (See Figure 1)
3. Remove (4) size 25 Torx screws from each side of the driver's and passenger side fender mounting area. (See Figure 2)
4. Remove (1) size 25 Torx from underneath the driver and passenger side mirror trim cover by prying up on the trim. (See Figure 3)
5. Remove the front grille cover by releasing the (7) retaining clips and a hex screw. (See Figure 4)
6. Remove (4) size 25 Torx front end retaining screws. (See Figure 5)
7. Push up on (3) front end body core support tabs to remove the front end body clip. *Note: This may require additional help to support the removal of the entire front end body clip.* (See Figure 6 and 7)

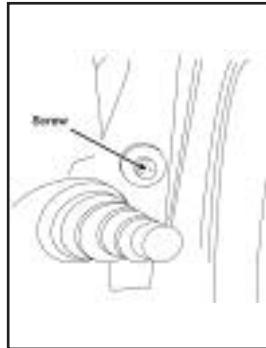


Figure 1



Figure 2

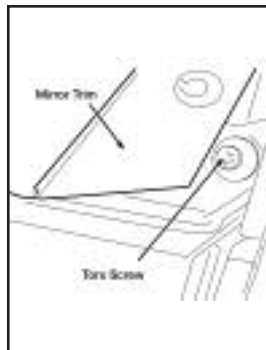


Figure 3

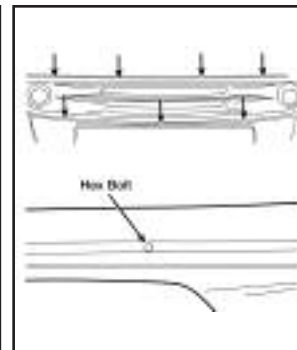


Figure 4

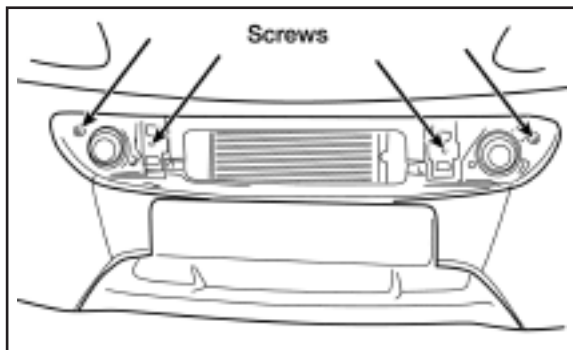


Figure 5

**Continued On  
Back**

**atp**  
professional auto parts®

1300 Pratt Boulevard  
Elk Grove Village, Illinois 60007  
Phone: 847-967-6790 Fax: 847-967-8686  
www.atp-inc.com • TRANSNET: 79122

# Interior Ventilation Filter Installation

## Mercedes Benz Smart Car — continued

8. Squeeze in then pull up on the electrical harnesses of both the fog lamps to remove the electrical harnesses. (See Figure 8)
9. Twist then pull out the side marker light bulb assembly from each side of the fenders. Completely detach the front end body clip assembly from the vehicle and set aside. (See Figure 9)
10. Insert the vehicle's ignition key into the passenger's side cowl cover and turn counter-clockwise to remove the cowl cover. (See Figure 10)
11. Push in on both tabs of the interior vent filter housing cover to gain access to the vent filter. (See Figure 11)
12. Detach the plastic bellow fill tube from the passenger side head lamp assembly and set aside. Remove the interior vent filter by grabbing the filter media and pulling straight out of the housing. (See Figure 12)
13. Installation is in the reverse order of removal.

*Approximate install time: 45-60 minutes*

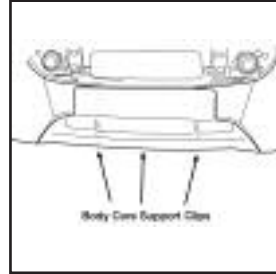


Figure 6



Figure 7

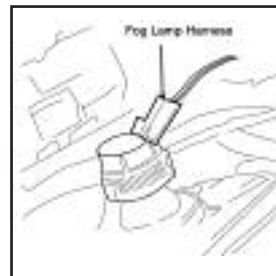


Figure 8



Figure 9

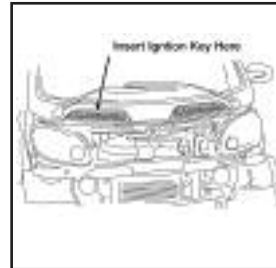


Figure 10

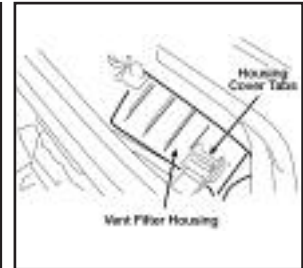


Figure 11

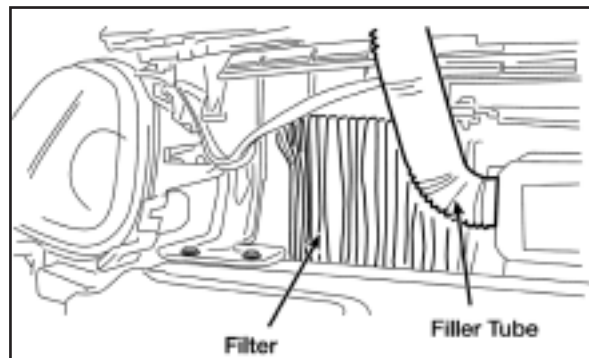


Figure 12

atp

*professional auto parts®*

1300 Pratt Boulevard  
 Elk Grove Village, Illinois 60007  
 Phone: 847-967-6790 Fax: 847-967-8686  
 www.atp-inc.com • TRANSNET: 79122

# Interior Ventilation Filter Installation

## Nissan Quest

Interior ventilation filter is located inside the vent filter housing, behind the glove box compartment assembly.

1. Open the glove box door and remove the glove box damper to lower the glove box door. (See Figure 1)
2. Remove the (2) glove box door knob screws followed by the door knob. Remove the lower glove box door hinges. (See Figure 2)
3. Remove the (2) glove box door striker plate bolts followed by the striker plate. Remove the (4-5) glove box assembly retaining screws. Disconnect the trunk switch and glove box lighting electrical harnesses. (See Figure 3)
4. Locate and remove (3) ventilation housing cover retaining screws and remove the cover. Slide the (2) filters out of the ventilation housing. (See Figure 4)
5. Installation is in the reverse order of removal.



Figure 1

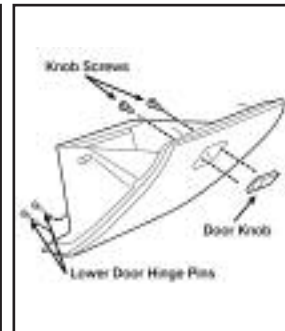


Figure 2

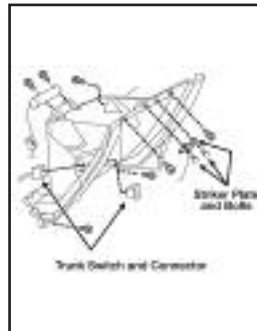


Figure 3

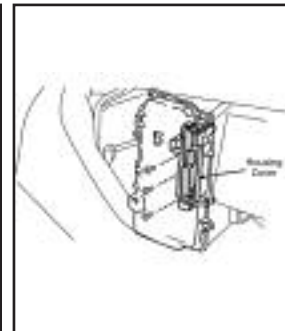


Figure 4

*Approximate install time: 30 minutes*

**atp**  
professional auto parts®

1300 Pratt Boulevard  
Elk Grove Village, Illinois 60007  
Phone: 847-967-6790 Fax: 847-967-8686  
www.atp-inc.com • TRANSNET: 79122

# Interior Ventilation Filter Installation

## *Infiniti EX35, FX35, G35, G37, M35, M45*

## *Nissan GT-R, Volkswagen Routan*

Interior ventilation filter is located underneath the glove box door, above the passenger side kick panel.

1. Open the glove box door. Remove the glove box restraining pin. (See Figure 1)
2. Remove the lower passenger side kick panel trim and side trim. (See Figure 2)
3. Remove the glove box compartment retainers and disconnect all electrical harnesses. Completely remove the glove compartment assembly.
4. Remove the vent filter housing cover from housing and slide filter out of the housing. (See Figure 3)
5. Installation is in the reverse order of removal.

*Approximate install time: 15 minutes*

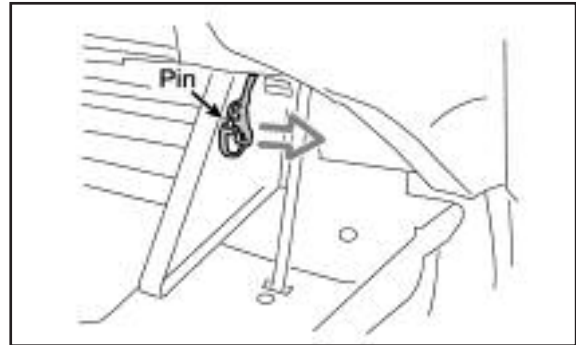


Figure 1

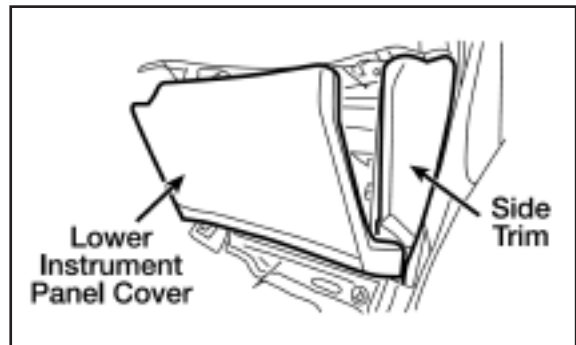


Figure 2

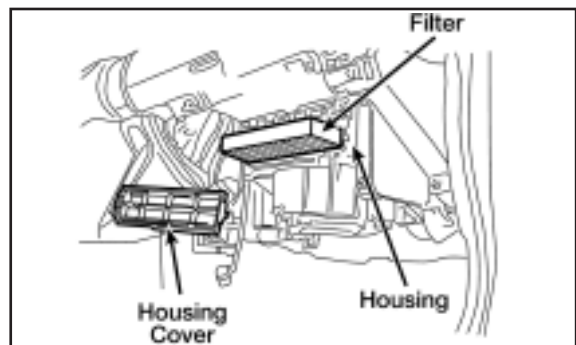


Figure 3

**atp**  
professional auto parts®

1300 Pratt Boulevard  
Elk Grove Village, Illinois 60007  
Phone: 847-967-6790 Fax: 847-967-8686  
www.atp-inc.com • TRANSNET: 79122

# Interior Ventilation Filter Installation

## Saab 900, 9-3

Interior ventilation filter is located underneath cowl panel.

1. Raise and secure the hood. Position the windshield wipers to the up position. Remove both wiper arms retaining nuts and remove wiper arm assemblies. (See Figure 1)
2. Remove the cowl retainer screws. Disconnect the washer fluid hoses and the drain hose from the cowl panel. Remove cowl panel. (See Figure 2)
3. Remove the wiper motor and transmission linkage screws. Disconnect the wiper motor electrical harness and remove the wiper motor assembly. (See Figure 3)
4. Remove vent filter from housing. (See Figure 4)
5. Install in the reverse order of removal. Make sure electrical harness and hoses are properly routed and connected.

*Approximate install time: 30 minutes*

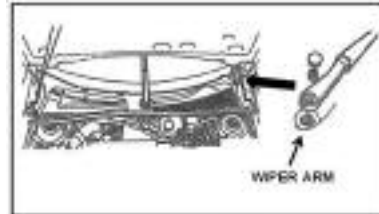


Figure 1

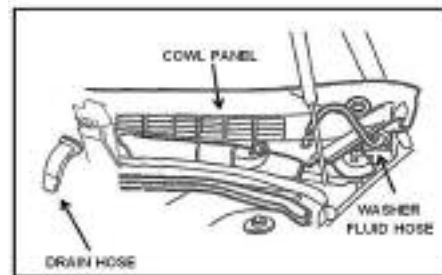


Figure 2

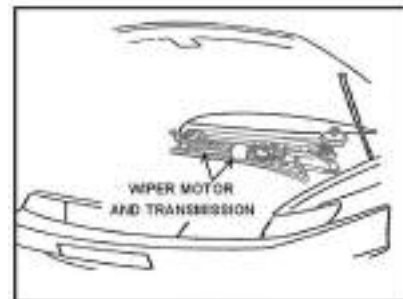


Figure 3

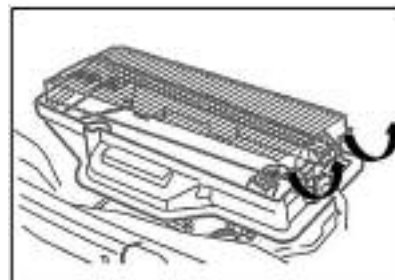


Figure 4

**atp**  
professional auto parts®

1300 Pratt Boulevard  
Elk Grove Village, Illinois 60007  
Phone: 847-967-6790 Fax: 847-967-8686  
www.atp-inc.com • TRANSNET: 79122

# Interior Ventilation Filter Installation

## Suzuki Grand Vitara, XL-7

Interior ventilation filter is located behind the glove box compartment door.

1. Open glove box door. Push in on both outer sides of the door to release the stop latches. (See Figure 1)
2. Remove the door damper rod retainer screw and disconnect rod. Allow the door to swing completely down (See Figure 2)
3. To remove filter housing cover, pull up on cover tabs. (See Figure 3)
4. Slide filter out of housing cavity. (See Figure 4)
5. Installation is in the reverse order of removal

*Approximate install time: 10 minutes*



Figure 1



Figure 2

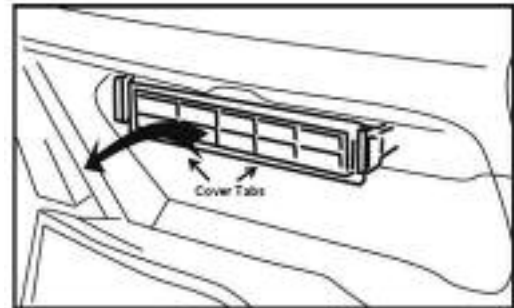


Figure 3

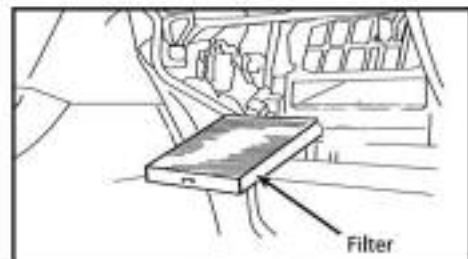


Figure 4

**atp**  
professional auto parts®

1300 Pratt Boulevard  
Elk Grove Village, Illinois 60007  
Phone: 847-967-6790 Fax: 847-967-8686  
www.atp-inc.com • TRANSNET: 79122

# Interior Ventilation Filter Installation

## Mazda 3, 5

Interior ventilation filters are located above the passenger side instrument panel.

1. Unclip (2) panel cover tabs located on the front of the passenger side lower panel underneath the glove box door. Unclip (1) passenger side center console trim panel and remove both panels. (See Figure 1)
2. Mazda 3 Models Only-For Mazda 5 Models, skip to instruction #4-5  
Disconnect or remove all electrical harnesses mounted to the junction block. To remove junction block, unscrew (2) front clips and slide the block out. (See Figure 2)
3. Remove (2) junction block retainer bracket nuts and remove retainer bracket. (See Figure 3)
4. Disconnect the electrical harness located on the filter housing door. Remove (4) filter housing door mounting screws and remove door. (See Figure 4)
5. Slide out the (2) filters and note the orientation of the old filters prior to installing the replacement filters.
6. To re-assemble, reverse the order of removal making sure all electrical harnesses are connected appropriately.

*Approximate install time: 25-30 minutes*

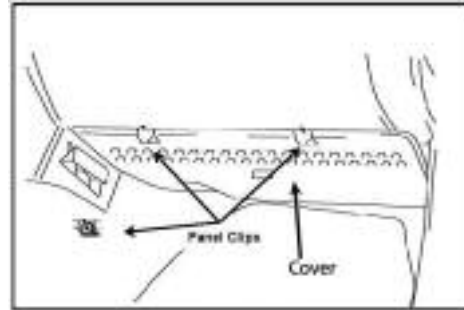


Figure 1

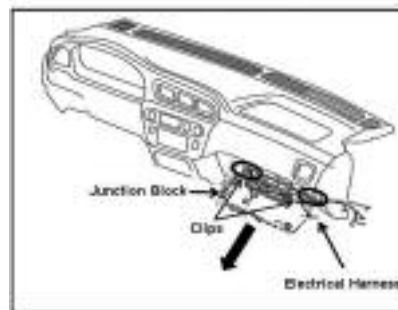


Figure 2

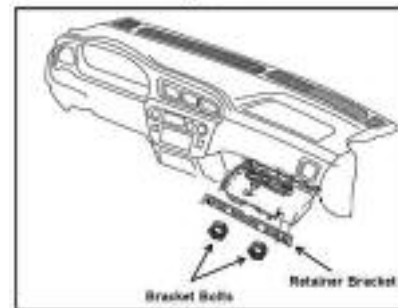


Figure 3

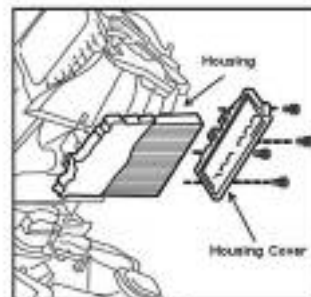


Figure 4

**atp**  
professional auto parts®

1300 Pratt Boulevard  
Elk Grove Village, Illinois 60007  
Phone: 847-967-6790 Fax: 847-967-8686  
www.atp-inc.com • TRANSNET: 79122

# Interior Ventilation Filter Installation

## *Mitsubishi Lancer, Outlander*

Interior ventilation filter is located behind the glove box door inside filter housing.

1. Open glove box door. Squeeze in on damper rod locking tab and slide rod off of mount. (See Figure 1)
2. Push in on both sides of the glove box door to release from stop latches and allow the door to swing downwards. (See Figure 2)
3. Reach into cavity and grasp both sides of the filter housing cover tabs and unlock tabs by pulling towards you. (See Figure 3)
4. Slide filter out of housing.
5. Install in the reverse order of removal.



Figure 1

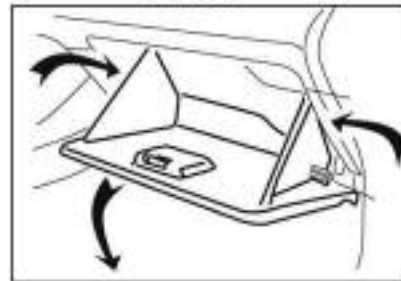


Figure 2

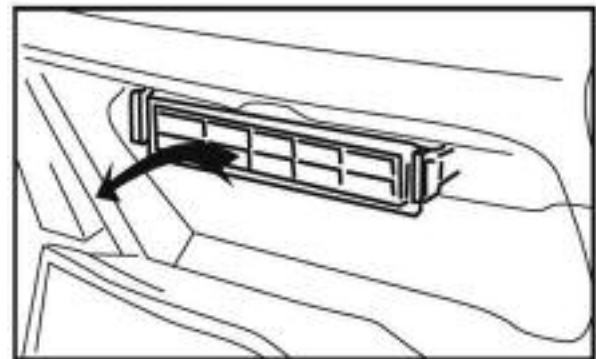


Figure 3

*Approximate install time: 10 minutes*

**atp**  
professional auto parts®

1300 Pratt Boulevard  
Elk Grove Village, Illinois 60007  
Phone: 847-967-6790 Fax: 847-967-8686  
www.atp-inc.com • TRANSNET: 79122

# Interior Ventilation Filter Installation

## Mercedes Benz SLK Series

Interior ventilation filters are located underneath glove box door above passenger side instrument panel.

**1. Remove the instrument panel retaining bolts and remove the instrument panel. (See Figure 1)**

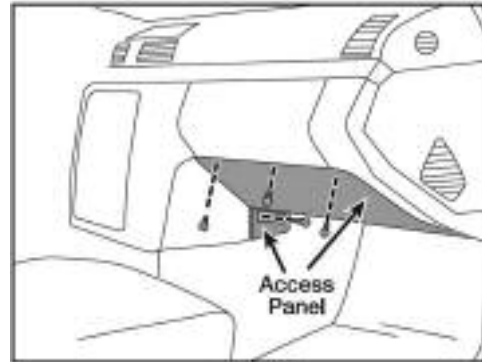


Figure 1

**2. Remove the filter housing cover clip from cover and slide housing cover tabs to release the filter housing cover. (See Figure 2)**

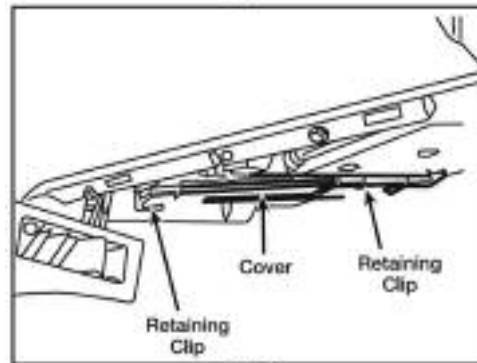


Figure 2

**3. Slide filters out of housing. (See Figure 3)**

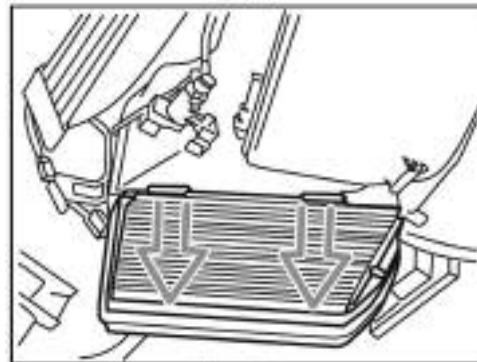


Figure 3

**4. Installation is in the reverse order of removal**

*Approximate install time: 15 minutes*

**atp**  
professional auto parts®

1300 Pratt Boulevard  
Elk Grove Village, Illinois 60007  
Phone: 847-967-6790 Fax: 847-967-8686  
www.atp-inc.com • TRANSNET: 79122

# Interior Ventilation Filter Installation

## *Nissan Altima, Rogue, Sentra*

Interior ventilation filter is located inside housing, on the right side of the accelerator pedal.

1. Remove the side trim panel located on the right lower side of the accelerator pedal. (See Figure 1)
2. Detach the the lower tab of the housing cover and remove cover from housing. (See Figure 2)
3. Slide filter out towards the accelerator pedal. (See Figure 3)
4. Installation is in the reverse order of removal.

*Approximate install time: 5 minutes*

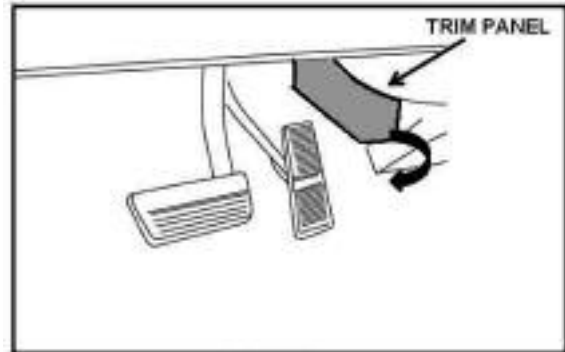


Figure 1

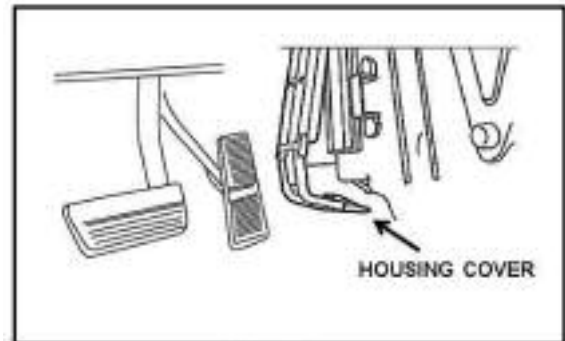


Figure 2

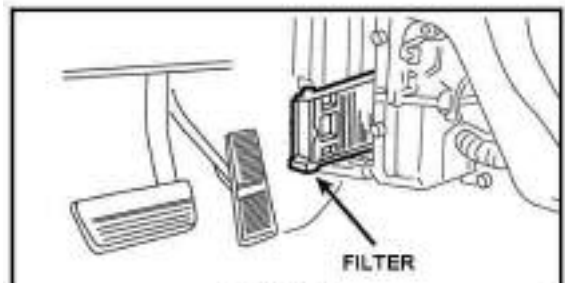


Figure 3

**atp**  
professional auto parts®

1300 Pratt Boulevard  
Elk Grove Village, Illinois 60007  
Phone: 847-967-6790 Fax: 847-967-8686  
www.atp-inc.com • TRANSNET: 79122

# Interior Ventilation Filter Installation

## Mercedes Benz CL, ML, R Series

Interior ventilation filters are located behind the glove box door inside filter housing.

1. Open passenger side door to remove side cover panel. Open glove box door. Remove (1) side cover panel retaining screw, unscrew (5) remaining glove box compartment retaining screws and remove glove box compartment assembly. (See Figure 1)

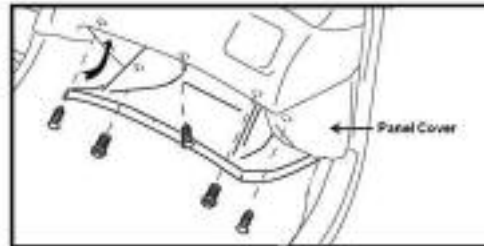


Figure 1

2. Remove the filter housing cover by squeezing the lock tabs on the cover. (See Figure 2)

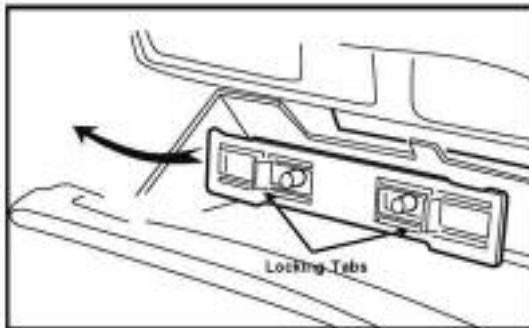


Figure 2

3. Slide first filter out of housing followed by the second filter out towards you. (See Figure 3)
4. Installation is in the reverse order of removal.

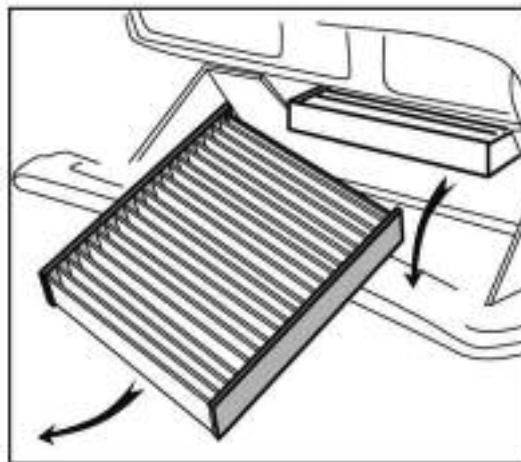


Figure 3

*Approximate install time: 15 minutes*

**atp**  
professional auto parts®

1300 Pratt Boulevard  
Elk Grove Village, Illinois 60007  
Phone: 847-967-6790 Fax: 847-967-8686  
www.atp-inc.com • TRANSNET: 79122

# Interior Ventilation Filter Installation

## Jaguar S-Type

Interior ventilation filter is located underneath passenger side cowl panel.

1. Raise and secure hood. Position the wiper arms up. Remove the wiper arm assemblies retaining nuts and remove the arms. (See Figure 1)
2. Remove the (15) cowl panel retainers and remove the cowl panel. (See Figure 2)
3. Open the filter housing cover and slide filter out of housing. (See Figure 3)
4. Installation is in the reverse order of removal.

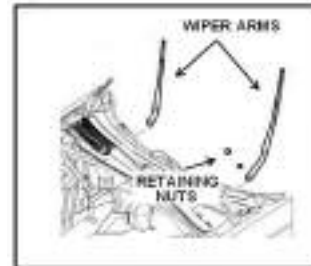


Figure 1

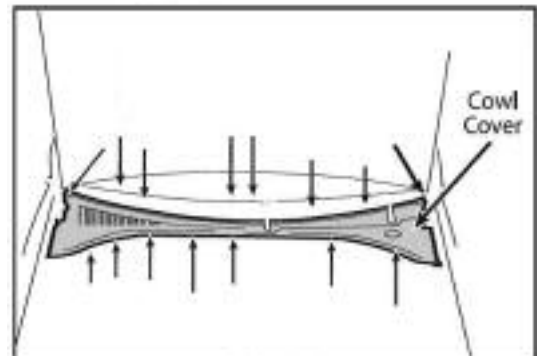


Figure 2

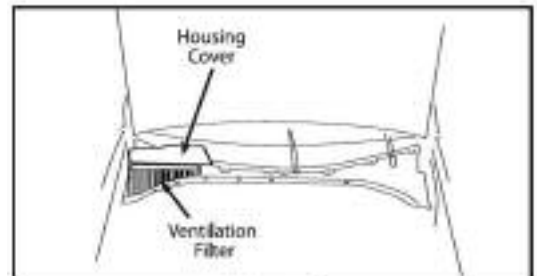


Figure 3

*Approximate install time: 20 minutes*

**atp**  
professional auto parts®

1300 Pratt Boulevard  
Elk Grove Village, Illinois 60007  
Phone: 847-967-6790 Fax: 847-967-8686  
www.atp-inc.com • TRANSNET: 79122

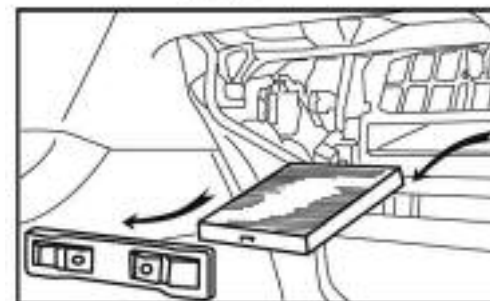
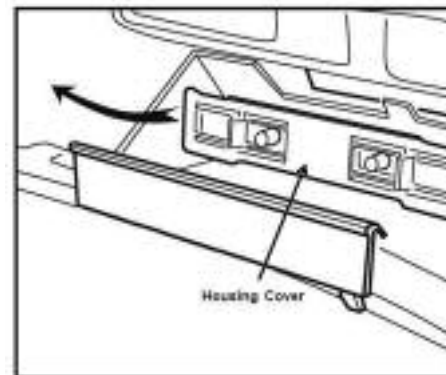
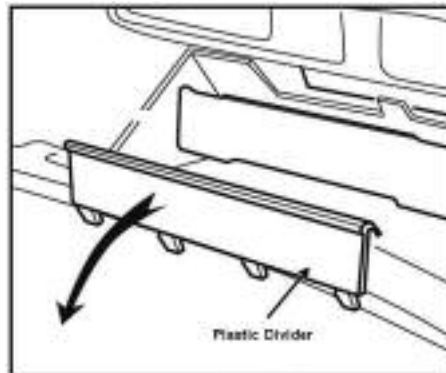
# Interior Ventilation Filter Installation

## Lexus LS460

Interior ventilation filters are located behind the glove box door inside filter housing.

1. Open glove box door. Lift and pull out (3) retainer tabs holding in place the plastic divider inside the compartment door and remove the divider. (See Figure 1)
2. Slide up filter housing access door and pull out towards you to remove door. (See Figure 2)
3. Push in on (3) filter frame locking tabs and slide the filter frame out of housing. (See Figure 3)
4. Install filter into frame and slide frame inside housing making sure the (3) lock tabs secure back appropriately.
5. Re-assemble remaining components in the reverse order of removal

*Approximate install time: 10 minutes*



**atp**  
professional auto parts®

1300 Pratt Boulevard  
Elk Grove Village, Illinois 60007  
Phone: 847-967-6790 Fax: 847-967-8686  
www.atp-inc.com • TRANSNET: 79122

# Interior Ventilation Filter Installation

## *Jaguar Super V8, Vanden Plas, XJ8, XJR*

Interior ventilation filter is located inside filter housing on passenger side cowl panel.

**1. Locate filter housing cover on passenger side cowl area. Pull upwards on the filter housing cover tabs to release the cover.**  
(See Figure 1)

**2. Press on the vent filter hold-down plate retaining grips and swing the plate downwards. Pull up on vent filter to remove from housing.** (See Figure 2)

**3. Installation is in the reverse order of removal.**

*Approximate install time: 10 minutes*

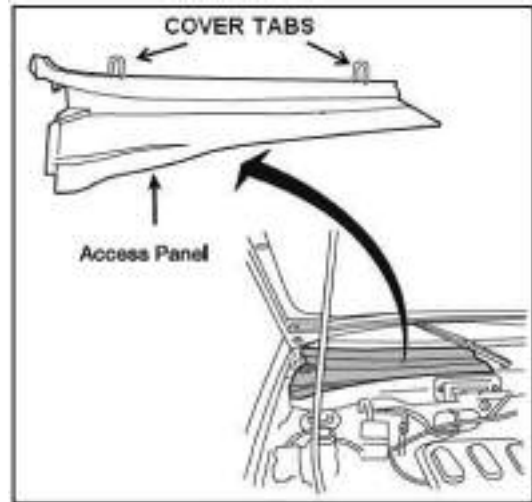


Figure 1

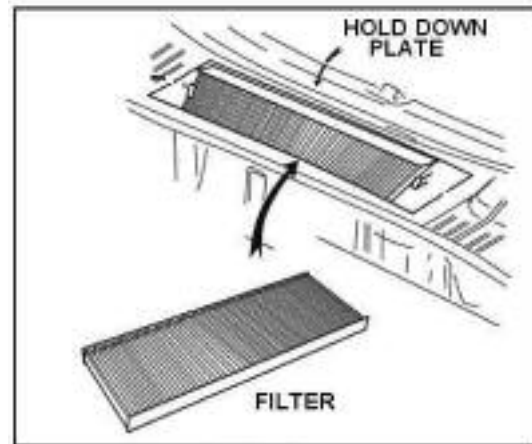


Figure 2

**atp**  
professional auto parts®

1300 Pratt Boulevard  
Elk Grove Village, Illinois 60007  
Phone: 847-967-6790 Fax: 847-967-8686  
www.atp-inc.com • TRANSNET: 79122

# Interior Ventilation Filter Installation

## Jaguar XK, XKR

Interior ventilation filter is located underneath hood at passenger side engine compartment.

1. Raise and secure hood.  
Detach (3) hold-down clips from the air intake box.  
(See Figure 1)
2. Release (2) housing cover clips and remove housing cover.  
(See Figure 2)
3. Slide filter up out of housing.  
(See Figure 3)
4. Installation is in the reverse order of removal.

*Approximate install time: 10 minutes*

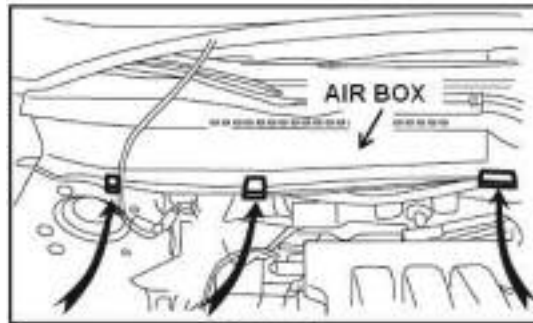


Figure 1



Figure 2

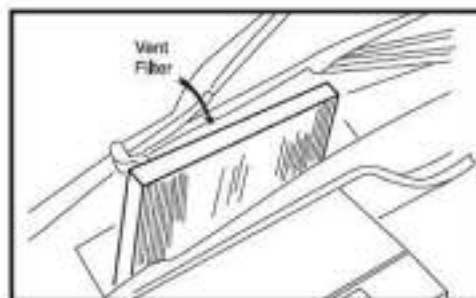


Figure 3

**atp**  
*professional auto parts®*

1300 Pratt Boulevard  
Elk Grove Village, Illinois 60007  
Phone: 847-967-6790 Fax: 847-967-8686  
www.atp-inc.com • TRANSNET: 79122

# Interior Ventilation Filter Installation

## Jaguar XF

Interior ventilation filter is located above passenger side kick panel, inside the cooling unit.

1. Remove the cooling unit air inlet duct cover from the cooling unit. (See Figure 1)
2. Detach the filter housing cover from the cooling unit and slide filter out of housing. (See Figure 2)
3. Install filter back into housing, attach the housing cover and install the air inlet duct cover back onto the cooling unit.

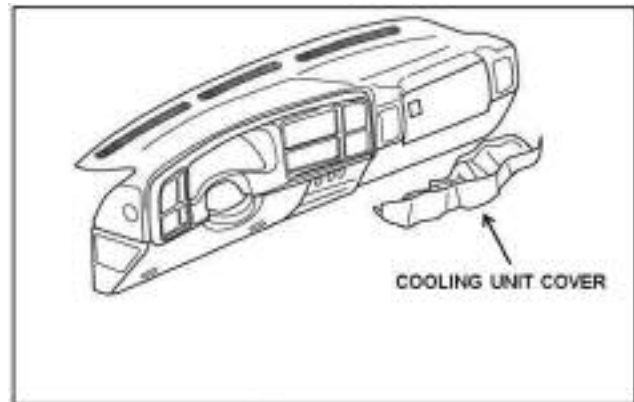


Figure 1

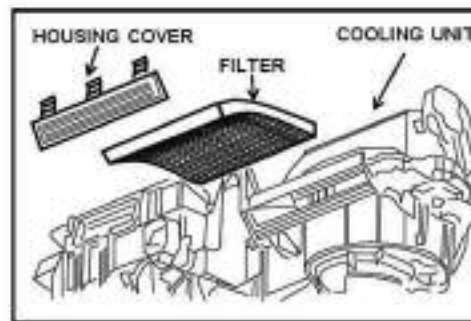


Figure 2

*Approximate install time: 10 minutes*

**atp**  
professional auto parts®

1300 Pratt Boulevard  
Elk Grove Village, Illinois 60007  
Phone: 847-967-6790 Fax: 847-967-8686  
www.atp-inc.com • TRANSNET: 79122

# Interior Ventilation Filter Installation

## BMW X5, X6

Interior ventilation filters are located underneath hood under passenger side cowl panel.

1. Lift and secure hood. Turn (4) locking dials counter-clockwise to remove upper plastic rain guard to gain access to the filter housing below rain guard. (See Figure 1)
2. Disconnect electrical sensor harness connection from sensor on housing. Turn (3) filter housing locking dials counter-clockwise to release filter housing. (See Figure 2)
3. Lift and pull out filter housing assembly. Filters are mounted on the underside of the housing. Depress (4) locking tabs on each filter to remove from housing frame. (See Figure 3)
4. Install filters onto housing frame assuring locking tabs snap back appropriately.
5. Installation is in the reverse order of removal. Make sure to re-connect the sensor's electrical harness.

*Approximate install time: 15 minutes*

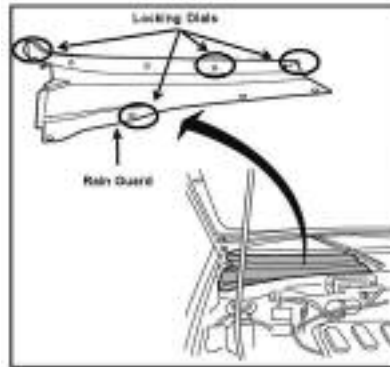


Figure 1

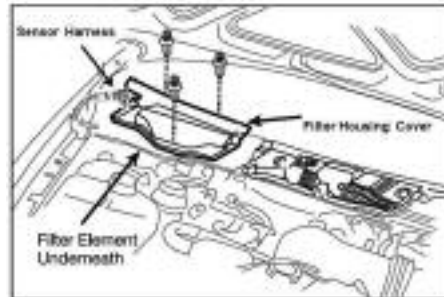


Figure 2

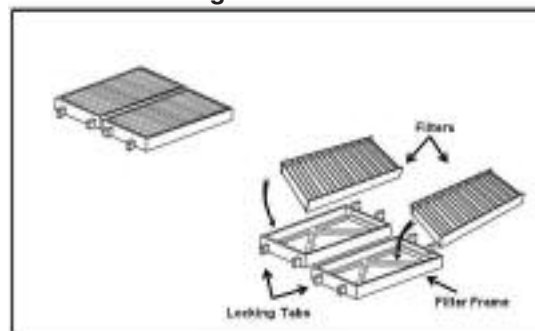


Figure 3



1300 Pratt Boulevard  
 Elk Grove Village, Illinois 60007  
 Phone: 847-967-6790 Fax: 847-967-8686  
 www.atp-inc.com • TRANSNET: 79122

# Interior Ventilation Filter Installation

## BMW M3

Interior ventilation filter is located underneath passenger side cowl panel.

- 1. Open and secure hood. Remove (6) cowl panel retaining screws and remove the cowl panel. (See Figure 1)**
- 2. Remove the filter from the (3) release catches. Swing the filter forward towards the front of the vehicle then upwards. (See Figure 2)**
- 3. Installation is in the reverse order of removal.**

*Approximate install time: 10 minutes*

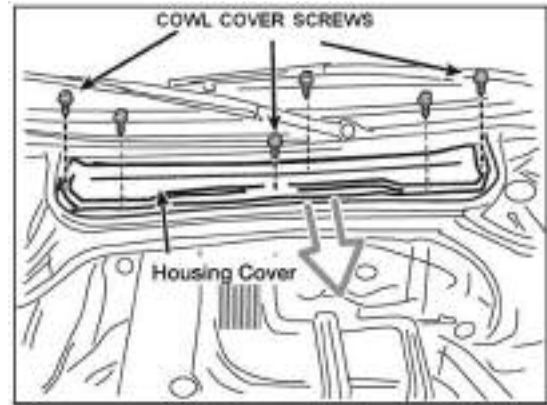


Figure 1

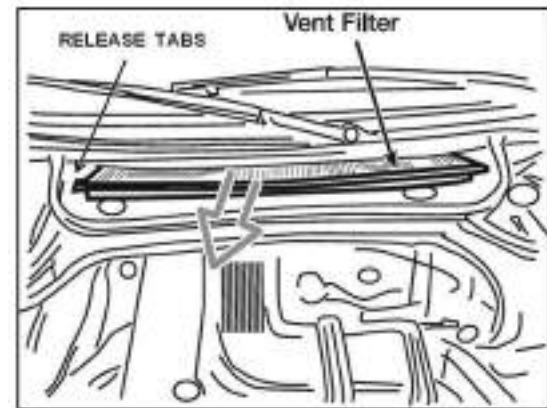


Figure 2

**atp**  
professional auto parts®

1300 Pratt Boulevard  
Elk Grove Village, Illinois 60007  
Phone: 847-967-6790 Fax: 847-967-8686  
www.atp-inc.com • TRANSNET: 79122

# **Interior Ventilation Filter Installation**

## **Mazda CX-7**

Interior ventilation filter is located behind the glove box compartment door.

- 1. Open the glove box door. Push in on both side of the inner door to release door from stop latches. (See Figure 1)**

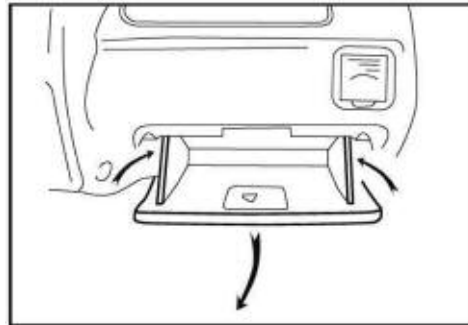


Figure 1

- 2. Pull out on the filter housing cover retainer tab to release cover and remove cover. (See Figure 2)**

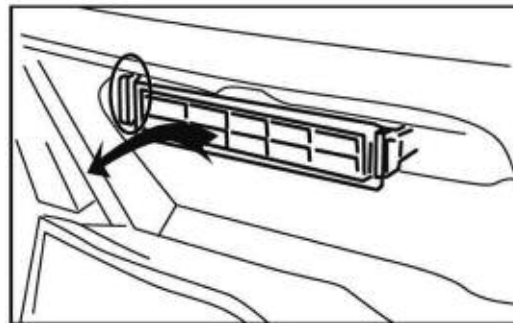


Figure 2

- 3. Slide filter out of housing towards you. (See Figure 3)**
- 4. Installation is in the reverse order of removal.**

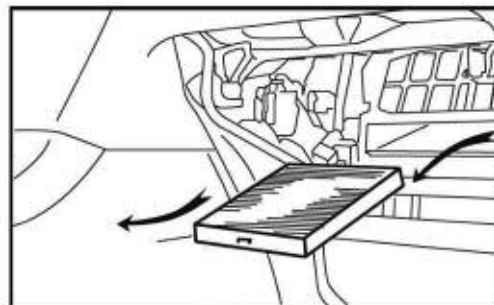


Figure 3

*Approximate install time: 5 minutes*

**atp**  
professional auto parts<sup>®</sup>

1300 Pratt Boulevard  
Elk Grove Village, Illinois 60007  
Phone: 847-967-6790 Fax: 847-967-8686  
www.atp-inc.com • TRANSNET: 79122

# Interior Ventilation Filter Installation

## Kia Sorento

Interior ventilation filters are located behind the glove box compartment door.

1. Open the glove box door. Disengage the door stops on both sides of the door by pushing the stops inwards from the outer sides of the compartment door. (See Figure 1)
2. Squeeze the locking tabs from the compartment door damper rod and slide rod out and allowing the door to swing completely down. (See Figure 2)
3. Squeeze locking tabs on filter housing cover and remove. (See Figure 3)
4. Slide the first filter and frame out of housing. Grasp second filter and frame and slide to the left and out towards you. (See Figure 4)
5. Install filters back onto frame and install in the reverse order of removal.

*Approximate install time: 10 minutes*

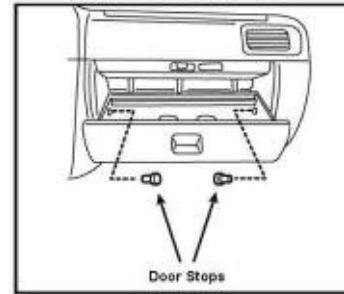


Figure 1

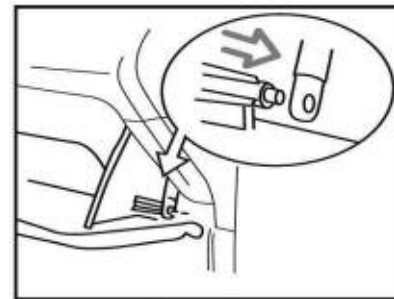


Figure 2

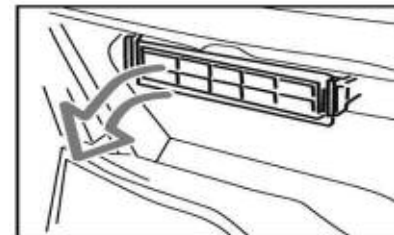


Figure 3

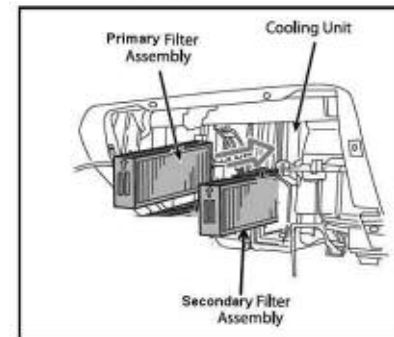


Figure 4

**atp**  
professional auto parts<sup>®</sup>

1300 Pratt Boulevard  
Elk Grove Village, Illinois 60007  
Phone: 847-967-6790 Fax: 847-967-8686  
www.atp-inc.com • TRANSNET: 79122

# Interior Ventilation Filter Installation

## Nissan Versa

Interior ventilation filters are located behind the glove box compartment door.

1. Open the glove box door. Remove (3) upper mounting screws and (4) lower mounting screws from the glove compartment assembly. (See Figure 1)
2. Disconnect the electrical harness connection and remove entire compartment assembly. (See Figure 2)
3. Pull the upper filter housing cover retainer tab and slightly push upwards on the cover to disengage from housing. (See Figure 3)
4. Grasp filter from frame handle and slide filter out of housing.
5. Install in the reverse order of removal.

*Approximate install time: 10-15 minutes*

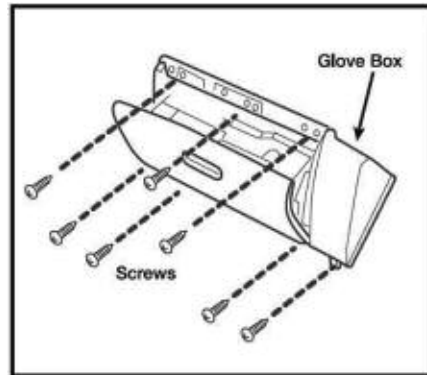


Figure 1

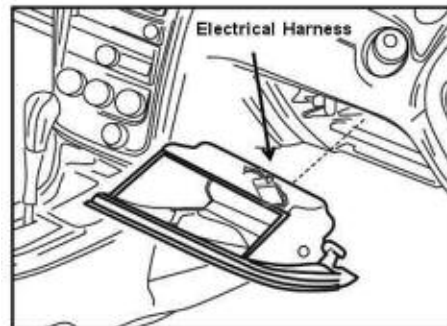


Figure 2

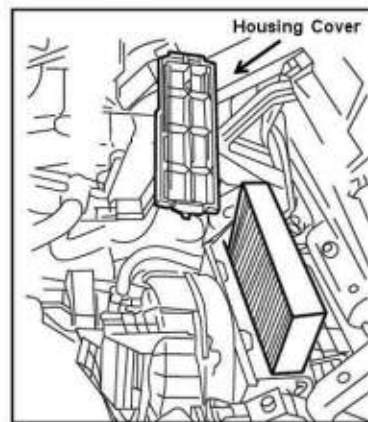


Figure 3

**atp**  
professional auto parts<sup>®</sup>

1300 Pratt Boulevard  
Elk Grove Village, Illinois 60007  
Phone: 847-967-6790 Fax: 847-967-8686  
www.atp-inc.com • TRANSNET: 79122

# Interior Ventilation Filter Installation

## *Mercedes-Benz Smart For Two*

Interior ventilation filter is located on drivers side foot-well, right side of the accelerator pedal.

- 1. Locate the filter housing cover and remove (2) cover screws and remove the cover. (See Figure 1)**
- 2. Slide filter out of housing towards the accelerator pedal. (See Figure 2)**
- 3. Install filter back into housing, mount housing cover on housing and tighten cover screws.**

*Approximate install time: 10 minutes*

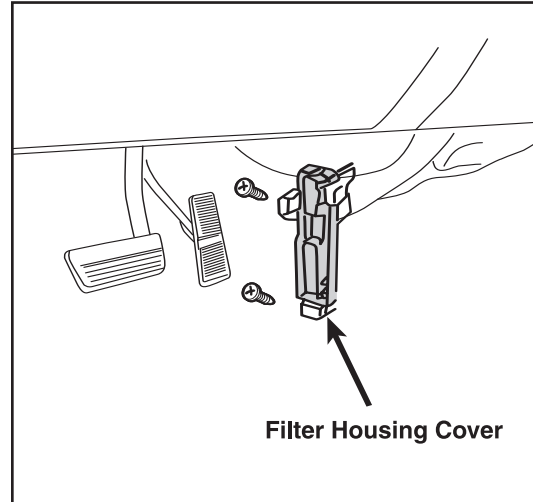


Figure 1

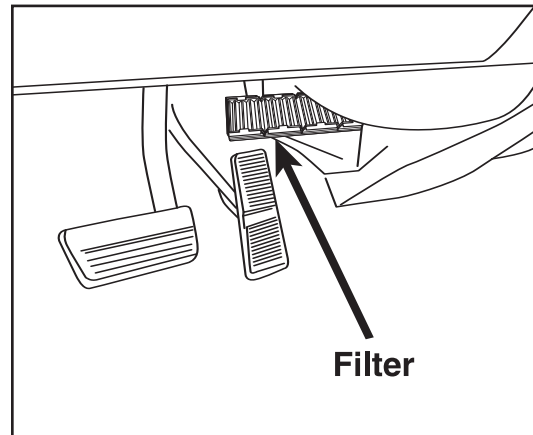


Figure 2

**atp**  
professional auto parts®

1300 Pratt Boulevard  
Elk Grove Village, Illinois 60007  
Phone: 847-967-6790 Fax: 847-967-8686  
www.atp-inc.com • TRANSNET: 79122

# Interior Ventilation Filter Installation

## Mercedes Benz C-Class

Interior ventilation filter is located underneath glove compartment box, above passenger side kick panel.

1. Remove (4) kick panel retainer screws. Disconnect the kick panel interior lamp electrical harness and remove the kick panel. (See Figure 1)
2. Remove the filter housing cover by sliding forward the housing cover retainer and remove cover. (See Figure 2)
3. Pull down on filter to remove from housing. (See Figure 3)
4. Installation is in the reverse order of removal making sure to re-connect the panel light electrical harness.

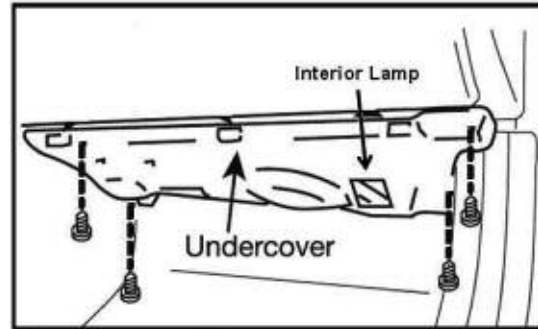


Figure 1

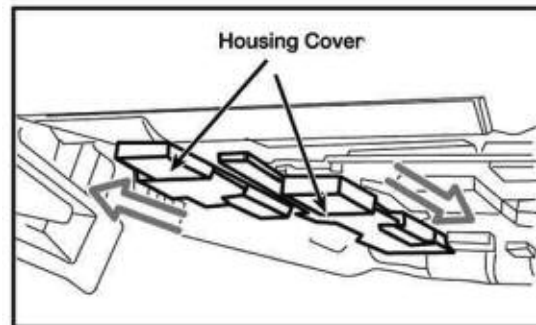


Figure 2

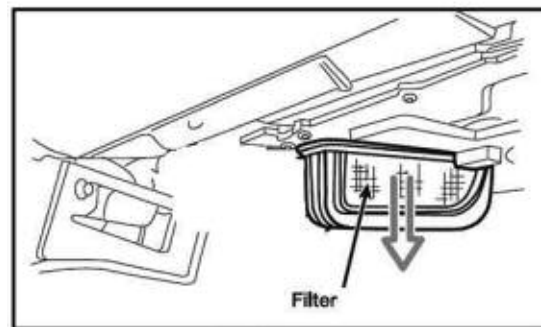


Figure 3

*Approximate install time: 10 minutes*

**atp**  
professional auto parts®

1300 Pratt Boulevard  
Elk Grove Village, Illinois 60007  
Phone: 847-967-6790 Fax: 847-967-8686  
www.atp-inc.com • TRANSNET: 79122

# Interior Ventilation Filter Installation

## Saab 9-3

Interior ventilation filter is located underneath hood inside passenger side cowl panel.

1. Open and secure hood. Detach the passenger side weather strip from the outer edge of the passenger side cowl panel. Remove (2) cowl screws. (See Figure 1)
2. While holding up the cowl cover, turn (2) filter hold down knobs located on the upper left and right hand side of the filter. (See Figure 2).
3. Push down, slide forward and then pull up on the filter to remove it from the housing. (See Figure 3)
4. Install filter and components in the reverse order of removal.

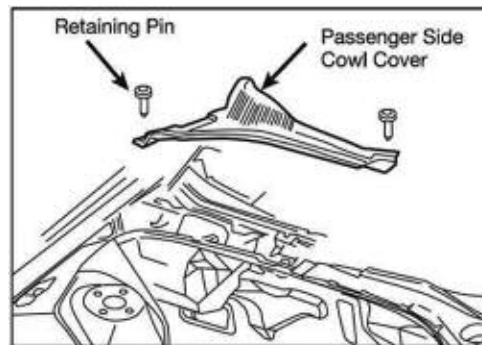


Figure 1

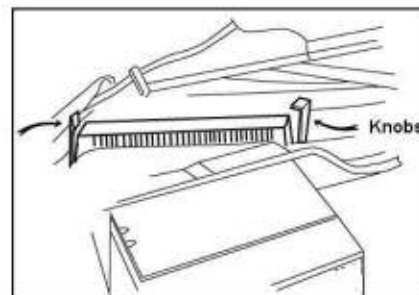


Figure 2

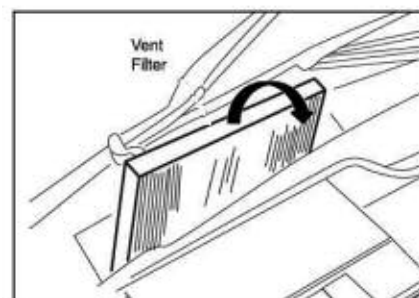


Figure 3

*Approximate install time: 10 minutes*

**atp**  
professional auto parts®

1300 Pratt Boulevard  
Elk Grove Village, Illinois 60007  
Phone: 847-967-6790 Fax: 847-967-8686  
www.atp-inc.com • TRANSNET: 79122

# **Interior Ventilation Filter Installation**

## **BMW 5, 6 Series**

Interior ventilation filters are located on the passenger and driver side cowl area underneath hood.

- 1. Open and secure hood. Release the filter housing cover retainer bar and loosen plastic hold down screw. (See Figure 1)**
- 2. Slide filter frame out towards the front of the vehicle to remove from housing. Instructions apply to both housings. (See Figure 2)**
- 3. Install filters in the reverse order of removal making sure filter and housing notches mate.**

*Approximate install time: 5 minutes*

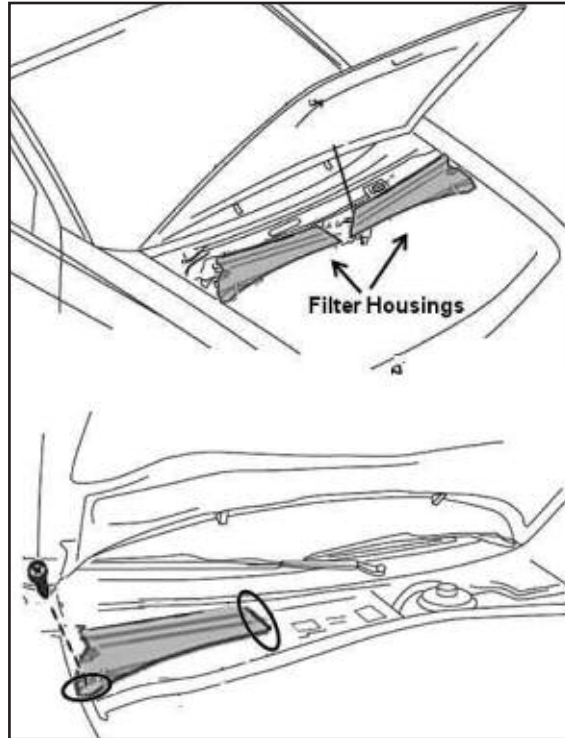


Figure 1

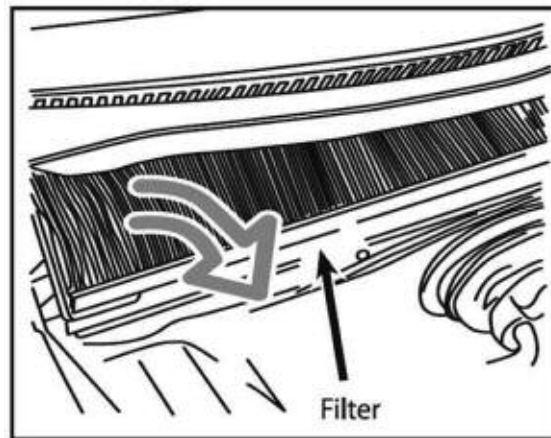


Figure 2

**atp**  
professional auto parts®

1300 Pratt Boulevard  
Elk Grove Village, Illinois 60007  
Phone: 847-967-6790 Fax: 847-967-8686  
www.atp-inc.com • TRANSNET: 79122

# Interior Ventilation Filter Installation

## BMW 128i, 135i, 3-Series

Interior ventilation filter is located underneath hood, at the center of the cowl panel.

1. Open and secure hood.  
Remove (6) housing cover retainer screws and lift up on housing cover.  
(See Figure 1)
2. Filter is attached to the underside of the housing cover. Flip over cover and detach (3) filter to filter housing cover tabs to remove filter from housing.  
(See Figure 2)
3. Install filter onto housing insuring the (3) tabs properly lock into place.
4. Install filter housing back into cavity and install the (6) retainer screws.

*Approximate install time: 10 minutes*

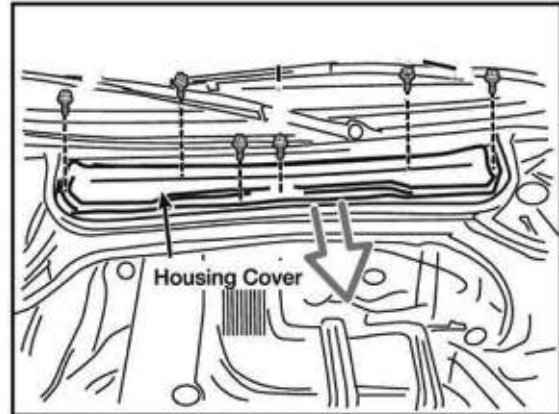


Figure 1

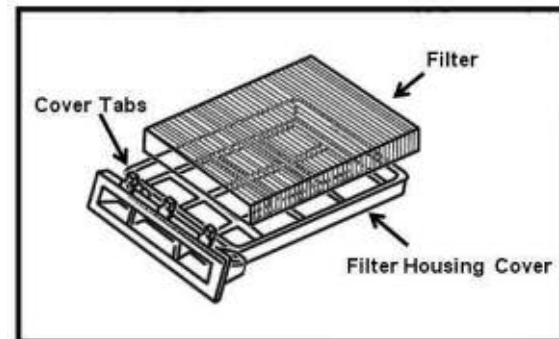


Figure 2

**atp**  
professional auto parts®

1300 Pratt Boulevard  
Elk Grove Village, Illinois 60007  
Phone: 847-967-6790 Fax: 847-967-8686  
www.atp-inc.com • TRANSNET: 79122

# **Interior Ventilation Filter Installation**

## ***Land Rover, Range Rover LR3, Rover Sport***

Interior ventilation filter is located behind the glove box compartment, inside filter housing.

- 1. Open the glove box door. Release the door stops located on the right and left hand side of the door. Allow the door to swing down. (See Figure 1)**
- 2. Detach the filter housing cover from housing and slide filter out of housing. (See Figure 2)**
- 3. Installation is in the reverse order of removal.**

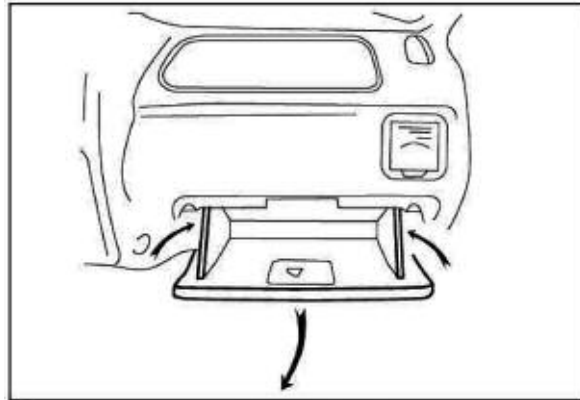


Figure 1

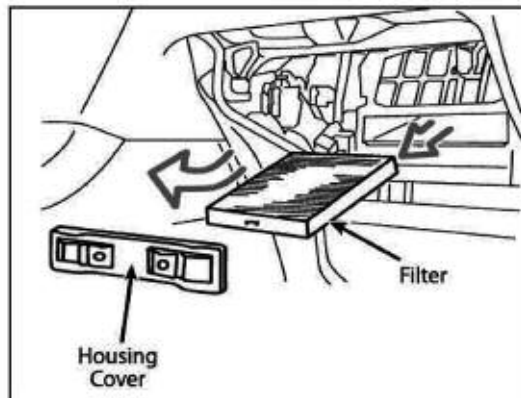


Figure 2

*Approximate install time: 5 minutes*

**atp**  
professional auto parts®

1300 Pratt Boulevard  
Elk Grove Village, Illinois 60007  
Phone: 847-967-6790 Fax: 847-967-8686  
www.atp-inc.com • TRANSNET: 79122

# Interior Ventilation Filter Installation

## Saab 9-5

Interior ventilation filter is located underneath glove compartment box.

1. Remove (3) lower compartment box mounting screws, and remove the passenger side lower trim panel. (See Figure 1)
2. Open glove box door, remove remaining upper glove box mounting screws and remove the compartment complete assembly. (See Figure 2)
3. Locate the filter housing to the lower left of the compartment cavity and remove (6) housing cover bolts. (See Figure 3)
4. Slide filter out towards the right of the vehicle. (See Figure 4)
5. Installation is in the reverse order of removal.

*Approximate install time: 20 minutes*

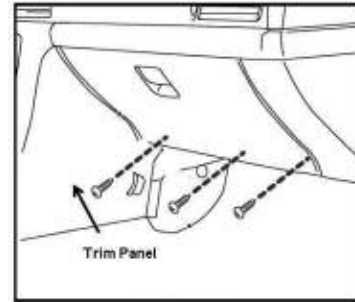


Figure 1

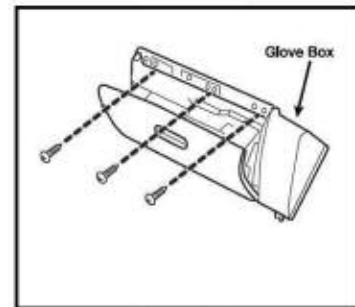


Figure 2

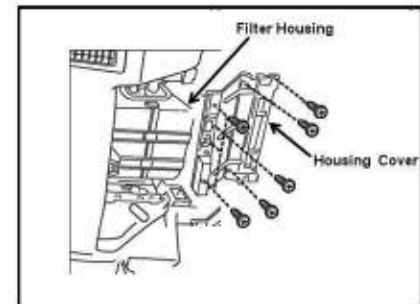


Figure 3

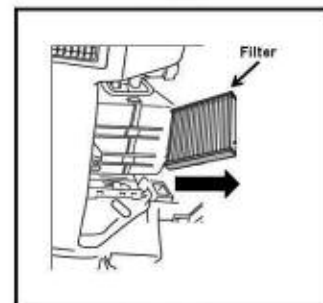


Figure 4

**atp**  
professional auto parts®

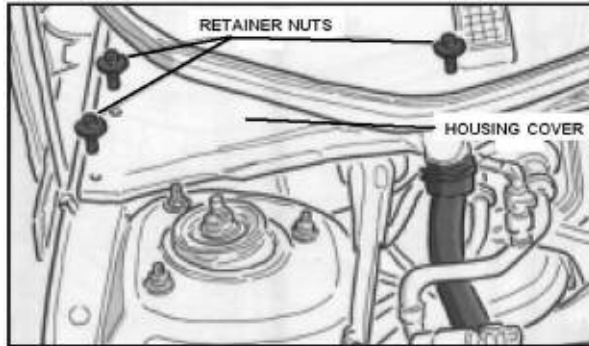
1300 Pratt Boulevard  
Elk Grove Village, Illinois 60007  
Phone: 847-967-6790 Fax: 847-967-8686  
www.atp-inc.com • TRANSNET: 79122

# **Interior Ventilation Filter Installation**

## ***Mercedes Benz CLS, E Class***

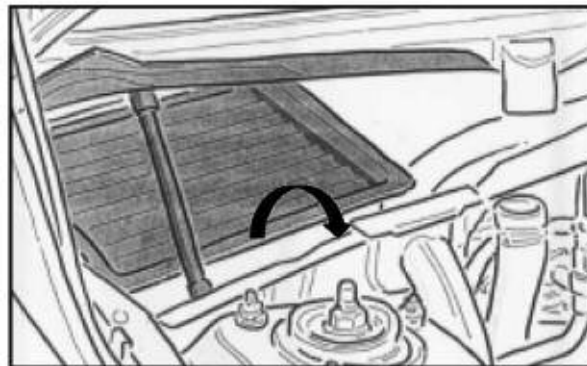
Interior ventilation filter is located underneath hood near passenger side engine compartment.

**1. Open and secure hood. Remove the plastic retainer nuts from the filter housing and remove housing from vehicle. (See Figure 1)**



**Figure 1**

**2. Remove filter from housing. (See Figure 2)**



**Figure 2**

**3. Installation is in the reverse order of removal.**

*Approximate install time: 5 minutes*

**atp**  
*professional auto parts®*

1300 Pratt Boulevard  
Elk Grove Village, Illinois 60007  
Phone: 847-967-6790 Fax: 847-967-8686  
www.atp-inc.com • TRANSNET: 79122

# Interior Ventilation Filter Installation

## *Kia Borrego, Spectra, Spectra 5*

Interior ventilation filter is located behind glove compartment box.

1. Open glove box door. Push in on the door stops and remove the stops. Disconnect the glove box door cable located at the rear of the door and allow the door to swing completely down. (See Figure 1)

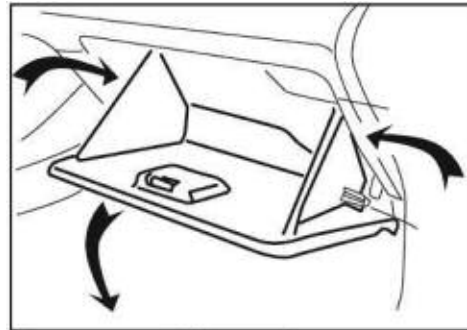


Figure 1

2. Disengage (2) filter housing cover tabs and remove cover. Slide filter frame out of housing. (See Figure 2)

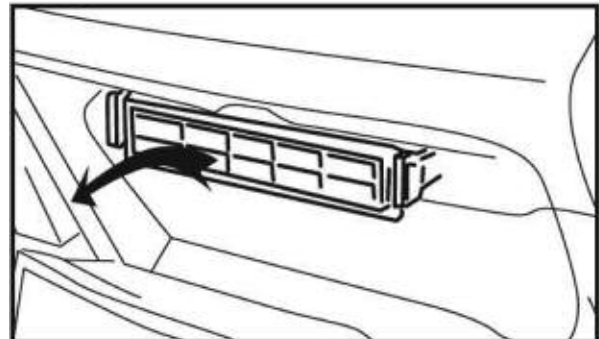


Figure 2

3. Lift filter element out of filter frame.
4. Install in the reverse order of removal.

*Approximate install time: 5 minutes*

**atp**  
professional auto parts®

1300 Pratt Boulevard  
Elk Grove Village, Illinois 60007  
Phone: 847-967-6790 Fax: 847-967-8686  
www.atp-inc.com • TRANSNET: 79122

# Interior Ventilation Filter Installation

## Hyundai Elantra

Interior ventilation filter is located inside filter housing, behind the glove box door.

1. Open the glove box door. Release the door catches on the right and left hand side of the door. Allow the door to swing completely down. (See Figure 1)
2. To gain access to the filter housing cover, remove the mounting bracket and remove the housing cover from housing. Slide the filter out towards you. (See Figure 2)
3. Install filter back into housing, attach housing cover on housing and install mounting bracket. Swing the glove box door back into place and snap back into place the door catches.

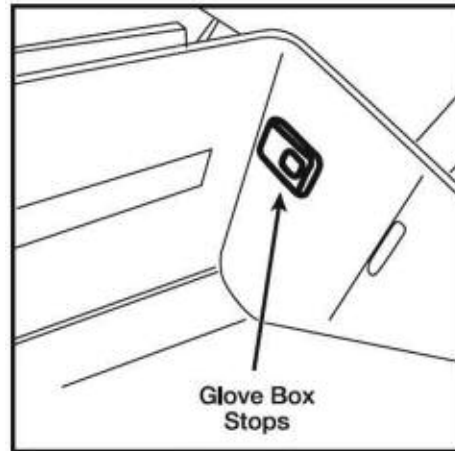


Figure 1

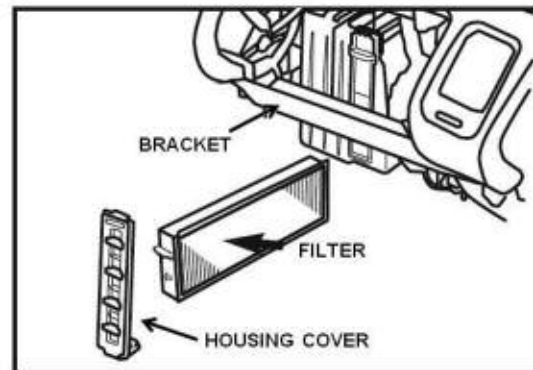


Figure 2

*Approximate install time: 5 minutes*

**atp**  
professional auto parts®

1300 Pratt Boulevard  
Elk Grove Village, Illinois 60007  
Phone: 847-967-6790 Fax: 847-967-8686  
www.atp-inc.com • TRANSNET: 79122

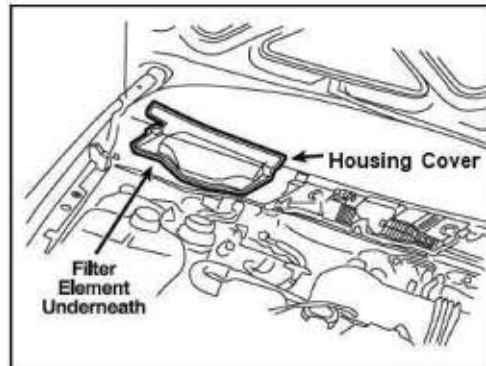
# **Interior Ventilation Filter Installation**

## ***Mercedes Benz C, CLK Class***

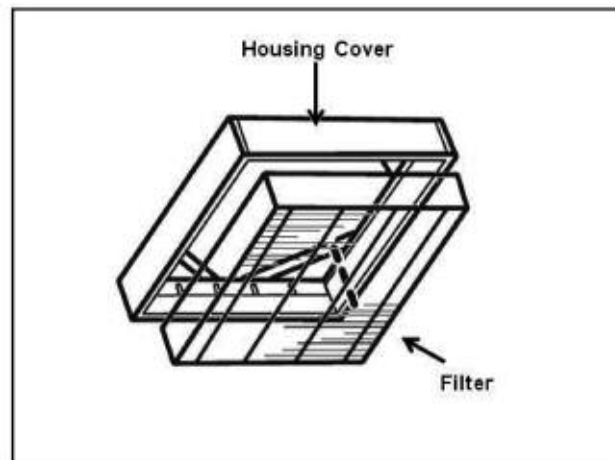
Interior ventilation filter is located under hood, underneath passenger side cowl panel.

- 1. Release (3) metal retaining latches from the filter housing.  
(See Figure 1)**
- 2. Remove the filter from underneath the filter housing cover.  
(See Figure 2)**
- 3. Installation is in the reverse order of removal.**

*Approximate install time: 5 minutes*



**Figure 1**



**Figure 2**

**atp**  
*professional auto parts®*

1300 Pratt Boulevard  
Elk Grove Village, Illinois 60007  
Phone: 847-967-6790 Fax: 847-967-8686  
www.atp-inc.com • TRANSNET: 79122

# **Interior Ventilation Filter Installation**

## ***Nissan Altima***

Interior ventilation filter is located behind passenger side center console.

- 1. Disengage (4) panel clips from the left panel trim of the passenger side footwell and remove panel. (See Figure 1)**
- 2. Locate the filter housing at the rear of the center console and depress the retaining tabs from the housing cover. (See Figure 2)**
- 3. Remove the housing cover and slide filter element out of housing. (See Figure 3)**
- 4. Installation is in the reverse order of removal.**

*Approximate install time: 10 minutes*

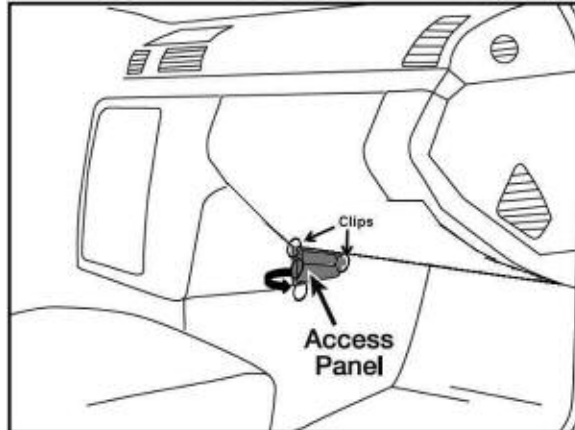


Figure 1

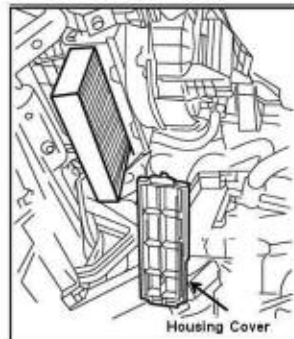


Figure 2

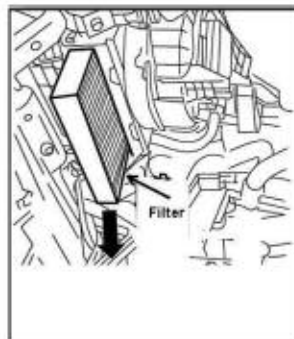


Figure 3

**atp**  
*professional auto parts®*

1300 Pratt Boulevard  
Elk Grove Village, Illinois 60007  
Phone: 847-967-6790 Fax: 847-967-8686  
www.atp-inc.com • TRANSNET: 79122

# Interior Ventilation Filter Installation

## Mini Cooper

Interior ventilation filter is located above the passenger side footwell below the glove box compartment.

1. Pull open the (2) filter housing cover tabs and allow the housing cover to swing completely down. (See Figure 1)

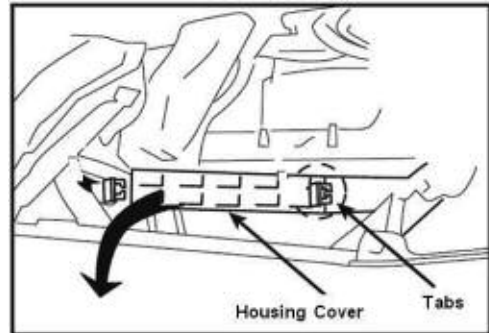


Figure 1

2. Grasp the filter at the right side of the housing and pull downwards and out of the housing. (See Figure 2)

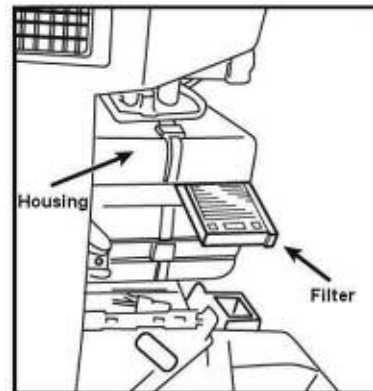


Figure 2

3. Install filter by sliding the filter onto the "S" curved grooves of the housing. (See Figure 3)

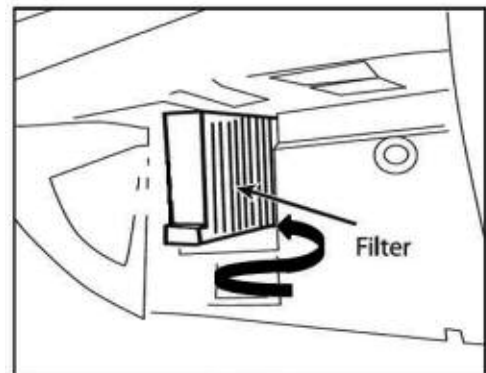


Figure 3

4. Close filter housing cover ensuring that the (2) tabs lock into place.

*Approximate install time: 5 minutes*

**atp**  
professional auto parts®

1300 Pratt Boulevard  
Elk Grove Village, Illinois 60007  
Phone: 847-967-6790 Fax: 847-967-8686  
www.atp-inc.com • TRANSNET: 79122

# Interior Ventilation Filter Installation

## *Subaru Forester, Impreza*

Interior ventilation filter is located behind the glove box compartment door.

1. Open the glove box door. Squeeze the locking tabs from the door damper connecting rod and slide rod out. (See Figure 1)

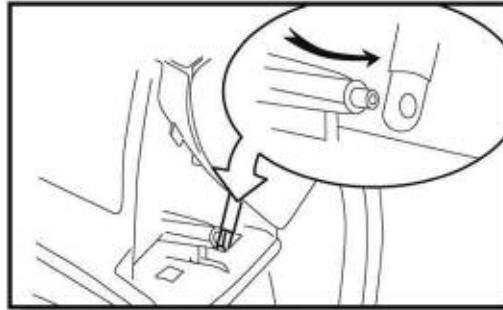


Figure 1

2. Push in on both side of the compartment door to release the door stops and allowing the door to swing completely down. (See Figure 2)

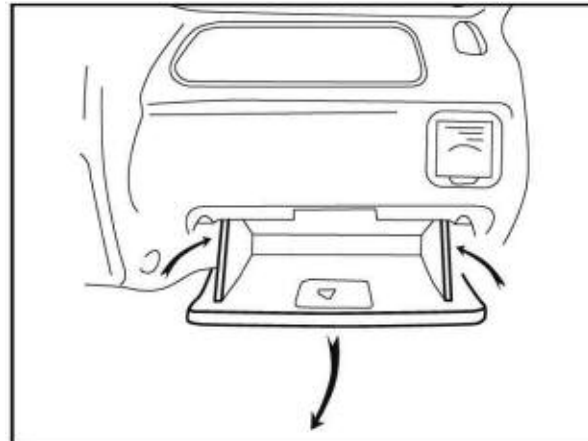


Figure 2

3. With both hands, squeeze on the (4) housing cover tabs to remove filter housing cover. Slide the filter out towards you. (See Figure 3)

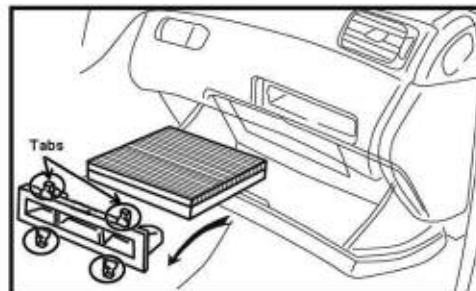


Figure 3

4. Installation is in the reverse order of removal.

*Approximate install time: 10 minutes*

**atp**  
professional auto parts®

1300 Pratt Boulevard  
Elk Grove Village, Illinois 60007  
Phone: 847-967-6790 Fax: 847-967-8686  
www.atp-inc.com • TRANSNET: 79122

# Interior Ventilation Filter Installation

## Hyundai Genesis

Interior ventilation filter is located behind the glove box door, inside filter housing.

1. Open glove box door. Release both door stops and allow the door to swing downwards. (See Figure 1)

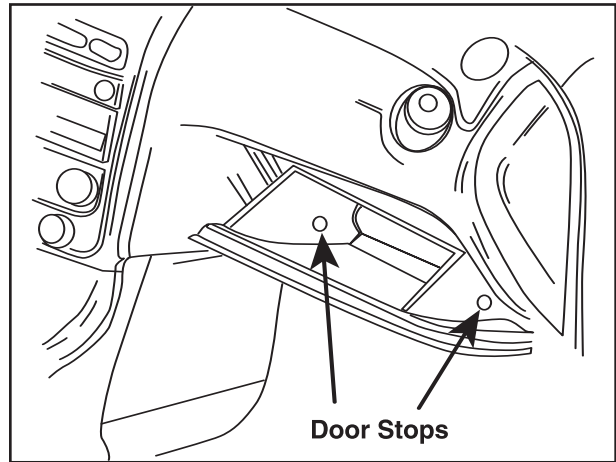


Figure 1

2. Detach (4) filter housing cover tabs from housing and remove housing cover. Slide filter out of housing. (See Figure 2)

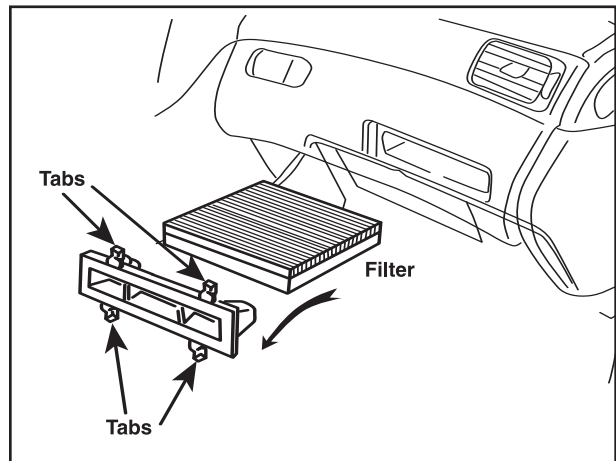


Figure 2

3. Installation is in the reverse order of removal.

*Approximate install time:  
10 minutes*

**atp**  
professional auto parts®

1300 Pratt Boulevard  
Elk Grove Village, Illinois 60007  
Phone: 847-967-6790 Fax: 847-967-8686  
www.atp-inc.com • TRANSNET: 79122

# Interior Ventilation Filter Installation

## Mercedes Benz CL63, CL65, S550

Interior ventilation filters are located above the passenger side kick panel inside housing.

- 1. Detach and remove the passenger side kick panel. (See Figure 1)**
  - 2. Slide the filter housing cover tabs inwards then remove the cover. (See Figure 2)**
  - 3. Slide (2) filters downwards and out of the filter housing. (See Figure 3)**
  - 4. Installation will be in the reverse order of removal.**
- Approximate install time: 15 minutes*

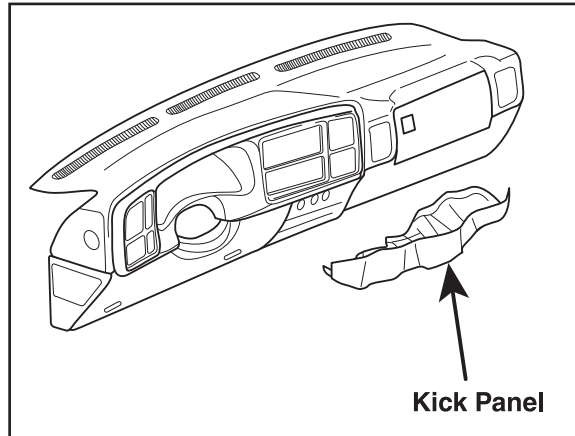


Figure 1

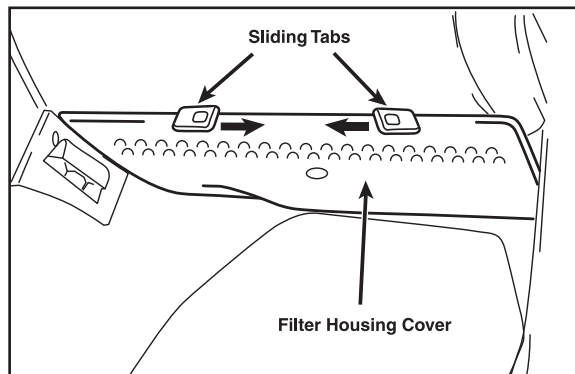


Figure 2

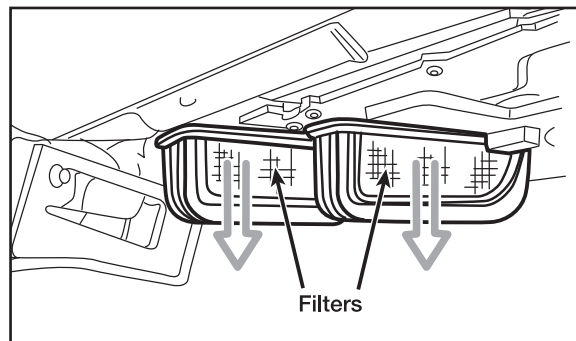


Figure 3

**atp**  
professional auto parts®

1300 Pratt Boulevard  
Elk Grove Village, Illinois 60007  
Phone: 847-967-6790 Fax: 847-967-8686  
www.atp-inc.com • TRANSNET: 79122

# Interior Ventilation Filter Installation

## Suzuki Grand Vitara

Interior ventilation filter is located behind the glove box compartment door.

1. Open the glove box door. Push in on both side of the inner door to release the door stops allowing the door to swing down completely. (See Figure 1)

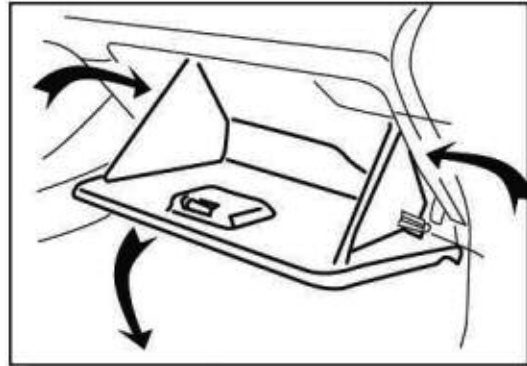


Figure 1

2. Pull the housing cover locking tab towards you to remove the housing cover. Slide filter out of housing. (See Figure 2)

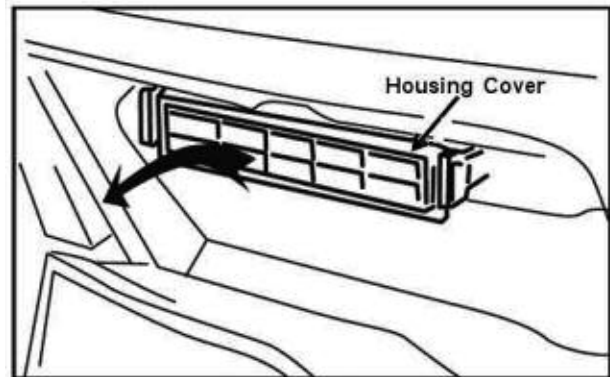


Figure 2

3. Installation is in the reverse order of removal.

*Approximate install time: 5 minutes*

**atp**  
professional auto parts®

1300 Pratt Boulevard  
Elk Grove Village, Illinois 60007  
Phone: 847-967-6790 Fax: 847-967-8686  
www.atp-inc.com • TRANSNET: 79122

# Interior Ventilation Filter Installation

## *Hyundai Azera, Santa Fe, Sonata, Kia Optima*

Interior ventilation filter is located inside the passenger's side center console.

- 1. Locate and remove the passenger side access panel on the left-hand side of the center console. (See Figure 1)**
- 2. Detach filter housing cover from housing and remove filter. (See Figure 2)**
- 3. Installation is in the reverse order of removal.**

*Approximate install time:*  
**10 minutes**

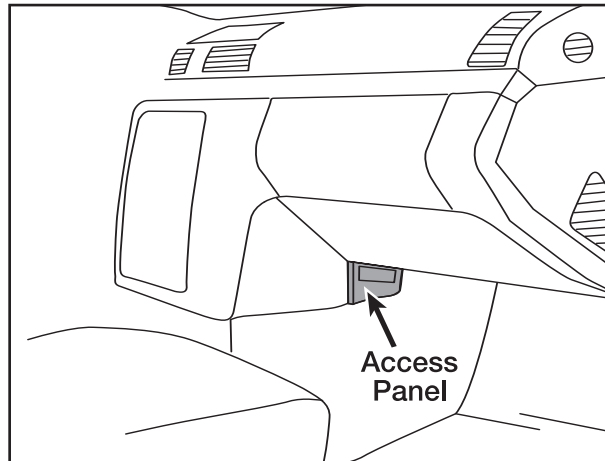


Figure 1

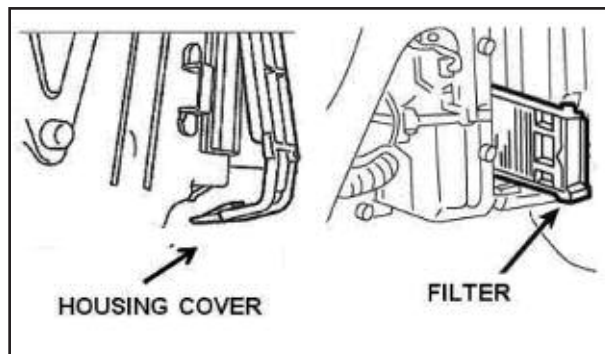


Figure 2

**atp**  
professional auto parts®

1300 Pratt Boulevard  
Elk Grove Village, Illinois 60007  
Phone: 847-967-6790 Fax: 847-967-8686  
www.atp-inc.com • TRANSNET: 79122

# Interior Ventilation Filter Installation

## Infiniti FX50

Interior ventilation filter is located above the passenger side kick panel inside housing.

1. Open glove box door. Detach the door damper pin and detach the door from the lower kick panel. Remove door assembly. (See Figure 1)
2. Release the clips from the passenger side kick panel and remove the panel. (See Figure 2)
3. Remove mounting screws from backing cover, disconnect electrical harness connectors and remove cover. (See Figure 3)
4. Remove the filter housing cover and slide filter out of housing. (See Figure 4)
5. Installation is in the reverse order of removal.

*Approximate install time: 25 minutes*

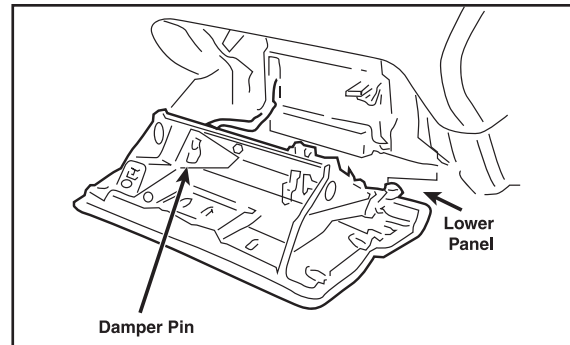


Figure 1

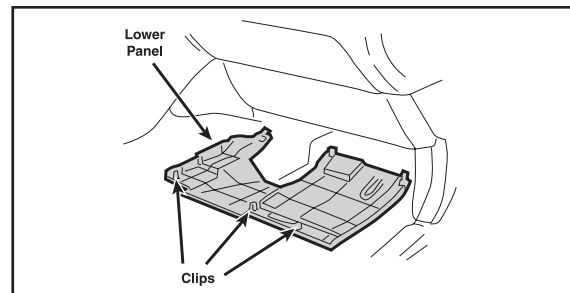


Figure 2

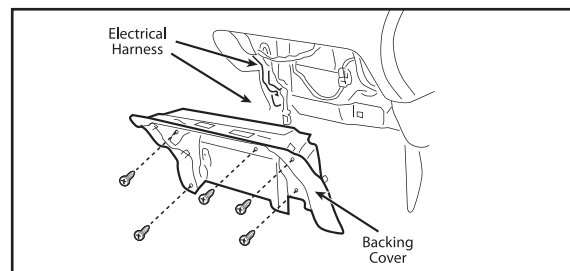


Figure 3

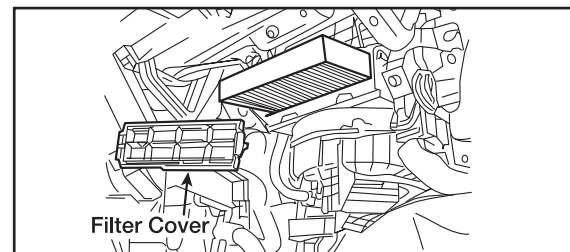


Figure 4

**atp**  
professional auto parts®

1300 Pratt Boulevard  
Elk Grove Village, Illinois 60007  
Phone: 847-967-6790 Fax: 847-967-8686  
www.atp-inc.com • TRANSNET: 79122

# Interior Ventilation Filter Installation

## *Hyundai Accent*

Interior ventilation filter is located behind the glove box compartment.

- 1. Open the glove box door. Push inwards on the left and right side of rear inner door stops to release door and allowing the door to swing completely down. (See Figure 1)**
- 2. Remove the (4) lower screws retaining the compartment door. Remove the compartment door. Disconnect control cables in front of the filter housing cover. (See Figure 2)**
- 3. Unlock the filter housing cover and pull filter element out of housing. (See Figure 3)**
- 4. Installation is in the reverse order of removal.**

*Approximate install time: 10-15 minutes*

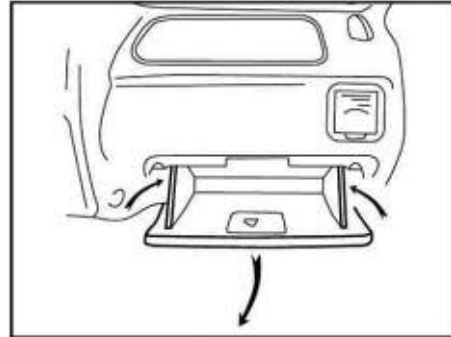


Figure 1

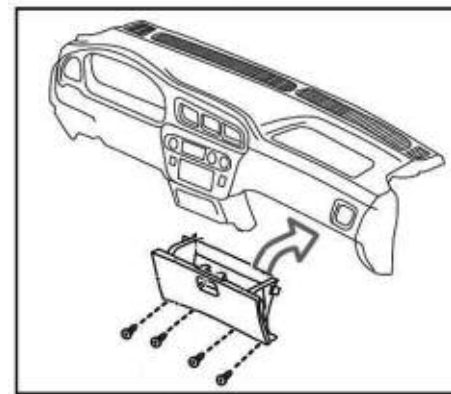


Figure 2

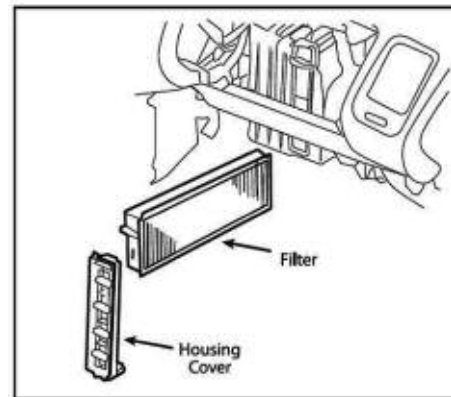


Figure 3



1300 Pratt Boulevard  
 Elk Grove Village, Illinois 60007  
 Phone: 847-967-6790 Fax: 847-967-8686  
 www.atp-inc.com • TRANSNET: 79122

# Interior Ventilation Filter Installation

## *Mazda Millenia*

Interior ventilation filters are located above the passenger kick panel.

1. Remove the upper passenger kick panel underneath the glove box compartment. (See Figure 1)
2. Remove the filter housing bracket screw and remove the housing bracket. (See Figure 2)
3. Pull down on the first filter followed by the second filter. (See Figure 3)
4. Install in the reverse order of removal.

*Approximate install time: 10 minutes*

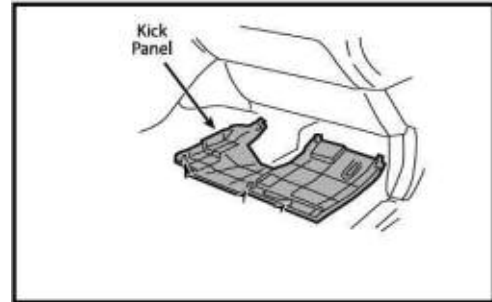


Figure 1

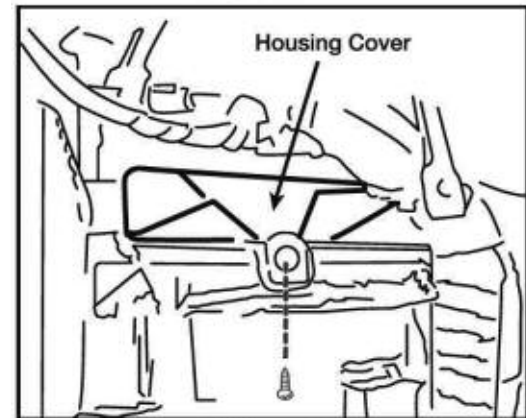


Figure 2

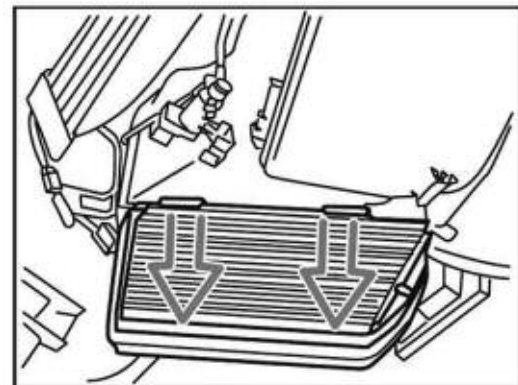


Figure 3

**atp**  
professional auto parts®

1300 Pratt Boulevard  
Elk Grove Village, Illinois 60007  
Phone: 847-967-6790 Fax: 847-967-8686  
www.atp-inc.com • TRANSNET: 79122

# Interior Ventilation Filter Installation

## Hyundai Veracruz

Interior ventilation filter is located behind the glove box compartment door.

1. Open glove box door. Disconnect the damper rod on the glove box door. Disengage the glove box stops on each side of the door and allow the door to swing down. (See Figure 1)

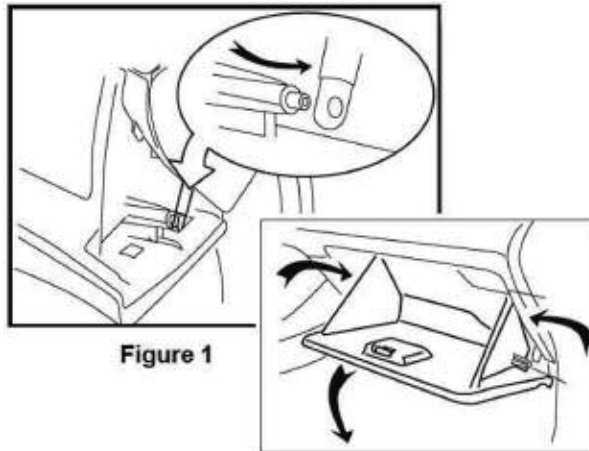


Figure 1

2. Squeeze on the upper and lower tabs on each side of the housing cover and remove cover from housing. Slide filter out of housing. (See Figure 2)

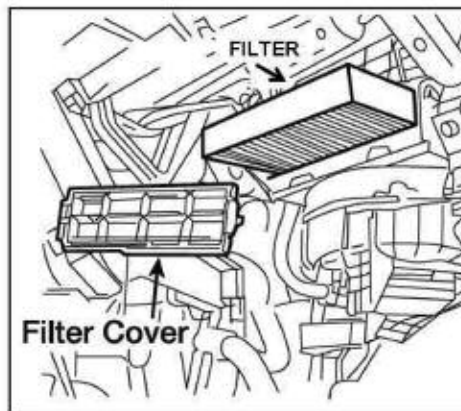


Figure 2

3. Installation is in the reverse order of removal.

*Approximate install time: 5 minutes*

**atp**  
professional auto parts®

1300 Pratt Boulevard  
Elk Grove Village, Illinois 60007  
Phone: 847-967-6790 Fax: 847-967-8686  
www.atp-inc.com • TRANSNET: 79122

# Interior Ventilation Filter Installation

## Suzuki SX4

Interior ventilation filter is located behind the glove box compartment door.

- 1. Open glove box door. Push inwards on the glove box door to release the door stops. Swing glove box door completely down. (See Figure 1)**
- 2. Depress the lower and upper tabs from the filter frame and slide the filter out of housing. (See Figure 2)**
- 3. Slide filter back into housing ensuring the tabs lock into place. Swing the glove box door back to position.**

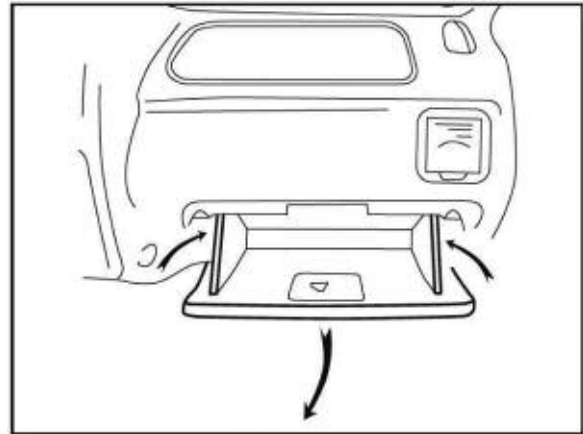


Figure 1

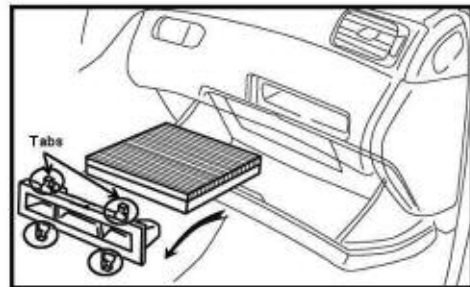


Figure 2

*Approximate install time: 5 minutes*

**atp**  
professional auto parts®

1300 Pratt Boulevard  
Elk Grove Village, Illinois 60007  
Phone: 847-967-6790 Fax: 847-967-8686  
www.atp-inc.com • TRANSNET: 79122

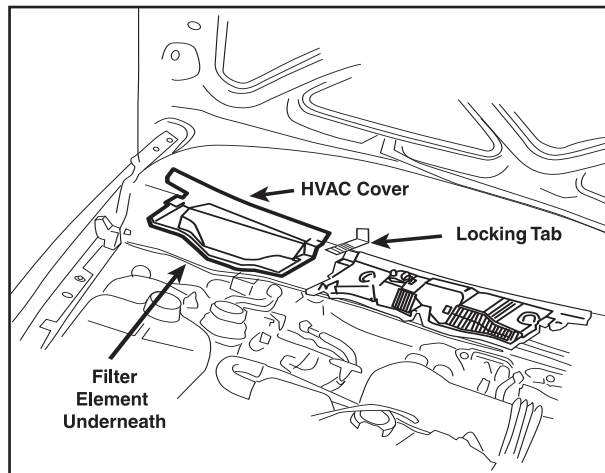
# **Interior Ventilation Filter Installation**

## **Porsche 911, Boxster, Cayman**

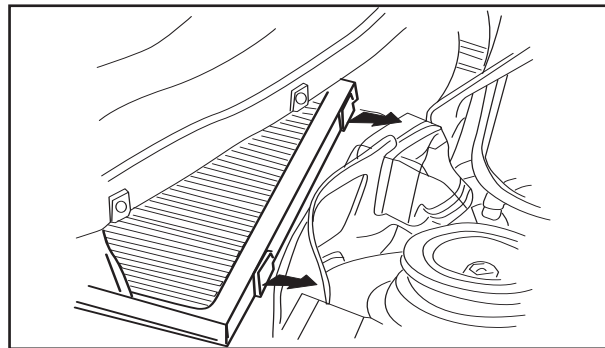
**Interior ventilation filter is located under passenger side plenum cover underneath the hood.**

- 1. Remove passenger side plenum cover and battery cover. Note: Removal of antenna maybe required for the removal and installation procedures of the vent filter.**
- 2. Open the locking tab by pushing downwards. (See Figure 1)**
- 3. Lift filter upwards and twist to the right to walk filter out of housing. (See Figure 2)**
- 4. Installation is in the reverse order of removal.**

**Approximate install time:**  
**10 minutes**



**Figure 1**



**Figure 2**



**1300 Pratt Boulevard  
Elk Grove Village, Illinois 60007  
Phone: 847-967-6790 Fax: 847-967-8686  
www.atp-inc.com • TRANSNET: 79122**

# Interior Ventilation Filter Installation

## Hyundai Azera, Santa Fe, Sonata, Kia Optima

Interior ventilation filter is located behind the glove box door, inside filter housing.

1. Open glove box door. Detach the glove box stops on each side of the door assembly and allow the door to swing downwards. (See Figure 1)

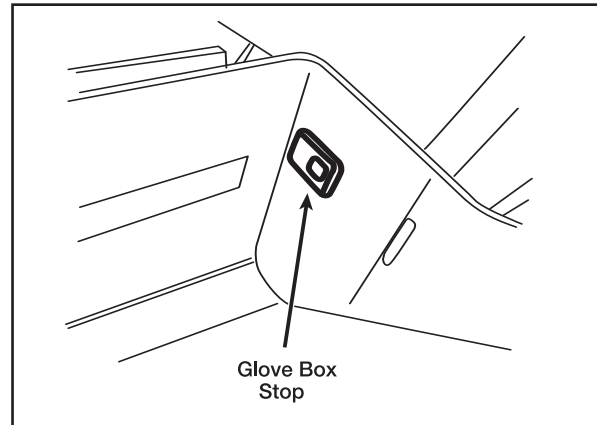


Figure 1

2. Remove filter housing cover by disengaging cover tabs and pull filter out towards you. (See Figure 2)
3. Install filter back into housing, replace filter housing cover and swing the glove box door upwards and re-attach the stops.

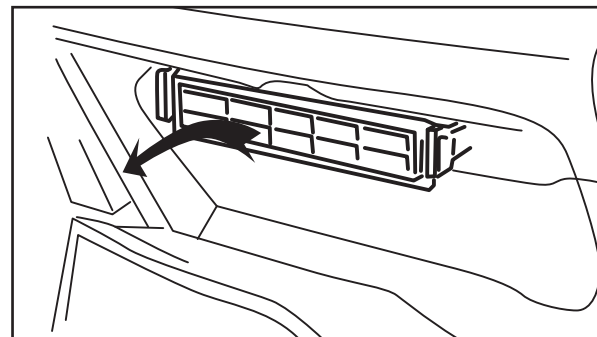


Figure 2

*Approximate install time: 10 minutes*

**atp**  
professional auto parts®

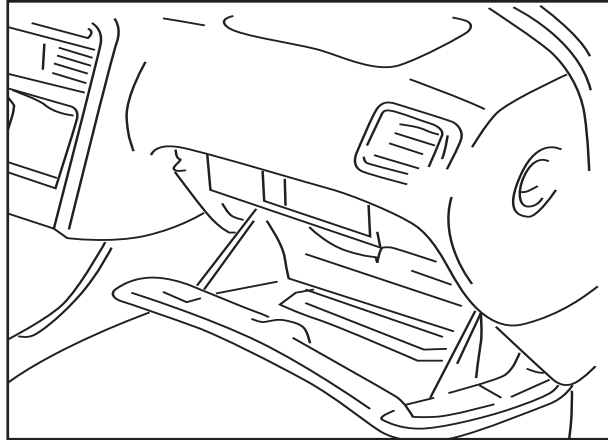
1300 Pratt Boulevard  
Elk Grove Village, Illinois 60007  
Phone: 847-967-6790 Fax: 847-967-8686  
www.atp-inc.com • TRANSNET: 79122

# **Interior Ventilation Filter Installation**

## **Mazda CX-9**

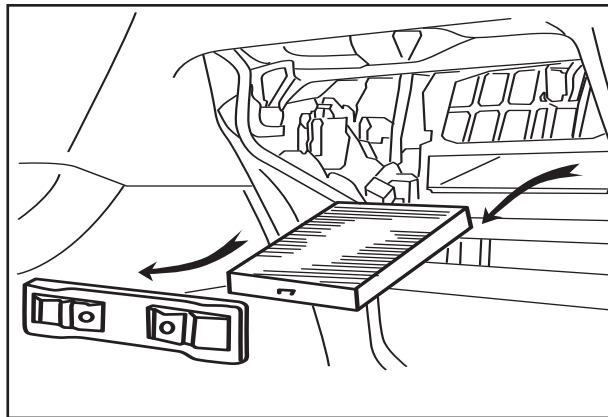
**Interior ventilation filter is located behind the glove box door.**

- 1. Open Glove box door and remove the back panel from the door.  
(See Figure 1)**



**Figure 1**

- 2. Reach into the glove box door and remove the filter housing cover and slide filter out of housing.  
(See Figure 2)**



**Figure 2**

- 3. Installation is in the reverse order of removal.  
*Approximate install time: 5 minutes***



**1300 Pratt Boulevard  
Elk Grove Village, Illinois 60007  
Phone: 847-967-6790 Fax: 847-967-8686  
www.atp-inc.com • TRANSNET: 79122**

# Interior Ventilation Filter Installation

## Mazda 3

Interior ventilation filters are located above the passenger side kick panel inside the left side of center console's access panel.

1. Detach and remove the passenger side kick panel. Remove center console's clip and remove access panel trim. (See Figure 1)
2. Remove the junction box and bracket screws and clips and remove junction block and bracket. (See Figure 2)
3. Remove the filter housing cover from center console and slide first filter out of housing followed by second filter. (See Figure 3)
4. Installation is in the reverse order of removal.

*Approximate install time: 25 minutes*

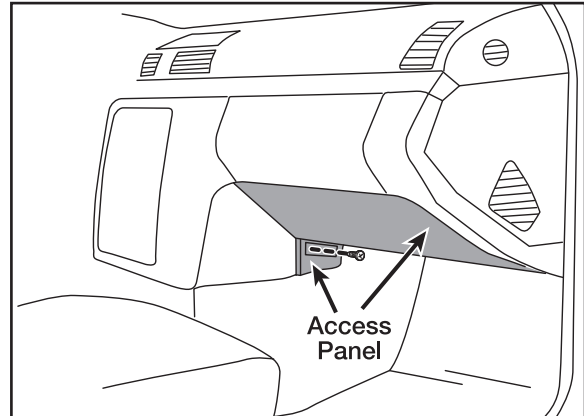


Figure 1

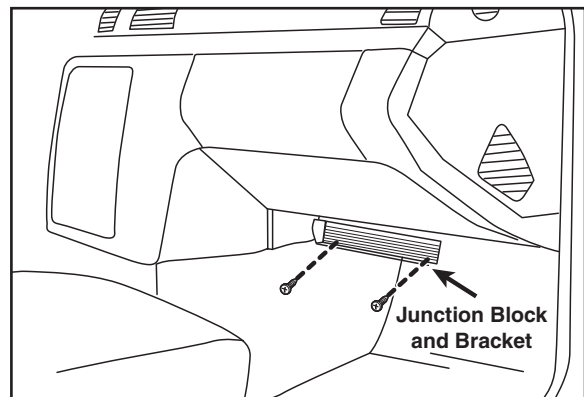


Figure 2

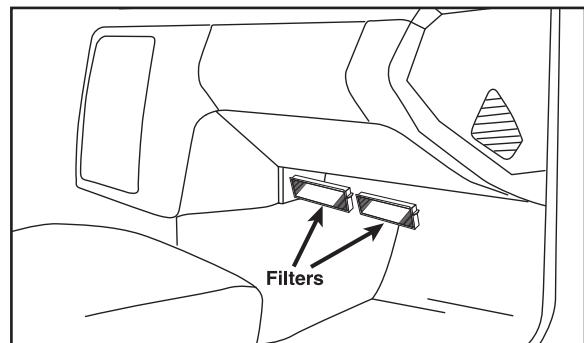


Figure 3

**atp**  
professional auto parts®

1300 Pratt Boulevard  
Elk Grove Village, Illinois 60007  
Phone: 847-967-6790 Fax: 847-967-8686  
www.atp-inc.com • TRANSNET: 79122

# Interior Ventilation Filter Installation

## Mazda 6

Interior ventilation filter is located in filter housing behind glove compartment door.

1. Open glove box door. Grasp and pull down on the glove door holding rod located on the right side of the glove box door. (See Figure 1)
2. With both hands at the top of the glove box door push the door stays through the glove box compartment. Remove the stays. (See Figure 2)
3. Swing door down. Remove filter frame out of housing. Replace filter element. (See Figure 3)

*Approximate Installation Time:*  
**10 Minutes**

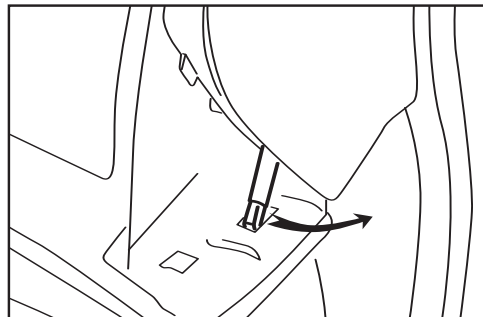


Figure 1

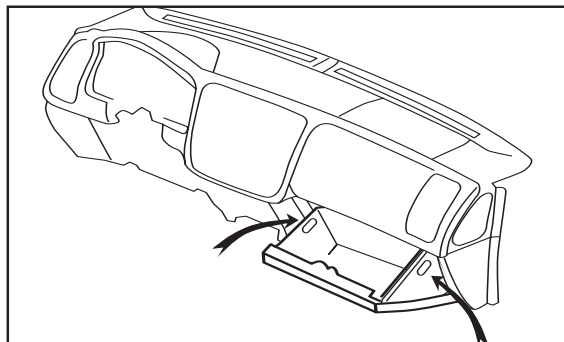


Figure 2

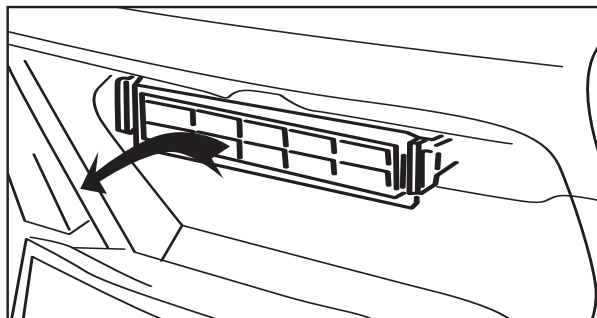


Figure 3

**atp**  
professional auto parts<sup>®</sup>

1300 Pratt Boulevard  
Elk Grove Village, Illinois 60007  
Phone: 847-967-6790 Fax: 847-967-8686  
www.atp-inc.com • TRANSNET: 79122

# **Interior Ventilation Filter Installation**

## **Mercedes Benz E320, E350, E63AMG**

Interior ventilation filter is located underneath passenger side cowl panel under the hood.

- 1. Open and secure hood. Remove (3) housing cover retainers. (See Figure 1)**
- 2. Prop up the filter housing cover and lift filter out of housing. (See Figure 2)**
- 3. Installation is in the reverse order of removal.**

*Approximate install time:  
10 minutes*

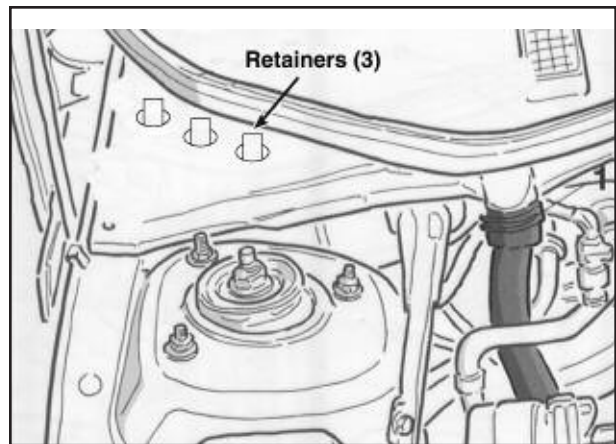


Figure 1

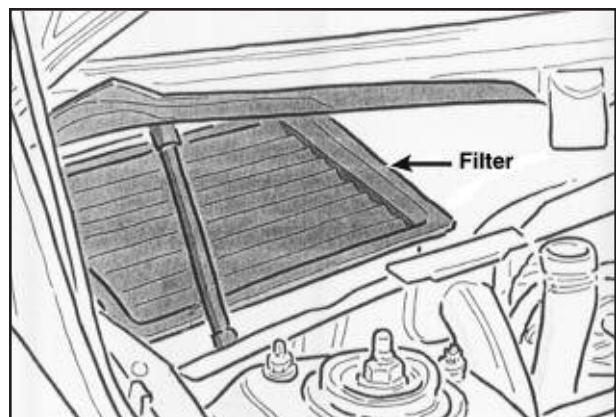


Figure 2

**atp**  
*professional auto parts®*

1300 Pratt Boulevard  
Elk Grove Village, Illinois 60007  
Phone: 847-967-6790 Fax: 847-967-8686  
www.atp-inc.com • TRANSNET: 79122

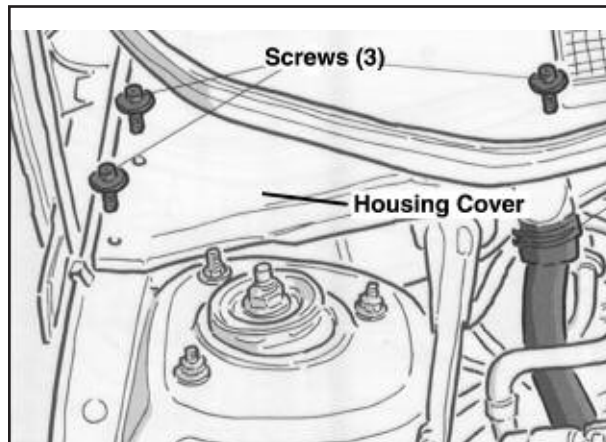
# **Interior Ventilation Filter Installation**

## **Mercedes-Benz G55AMG, G550**

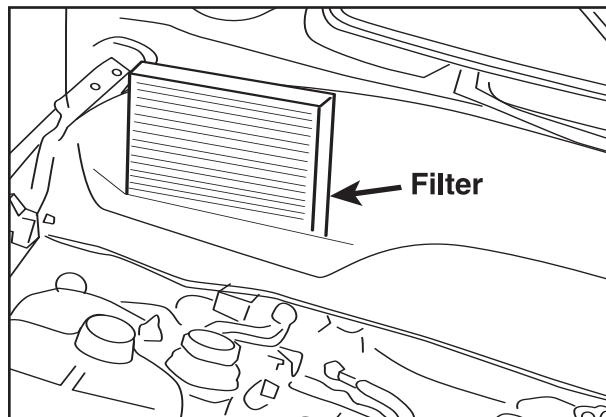
Interior ventilation filter is located under hood, underneath passenger side cowl panel.

- 1. Open and secure hood. Remove the bolts from the filter housing compartment. (See Figure 1)**
- 2. Slide filter upwards. Clean housing of any debris. (See Figure 2)**
- 3. Installation is in the reverse order of removal.**

*Approximate install time:  
10 minutes*



**Figure 1**



**Figure 2**



**1300 Pratt Boulevard  
Elk Grove Village, Illinois 60007  
Phone: 847-967-6790 Fax: 847-967-8686  
www.atp-inc.com • TRANSNET: 79122**

# Interior Ventilation Filter Installation

## *BMW 550i, 750i, 750i Xdrive, 750Li*

Interior ventilation filters are located inside filter housing, above passenger side kick panel.

1. Detach and remove the passenger side upper kick panel (See Figure 1)
2. Remove (4) filter housing cover screws and remove housing cover. (See Figure 2)
3. Slide down (2) filters out of filter housing. (See Figure 3)
4. Installation will be in the reverse order of removal.

*Approximate install time: 10 minutes*

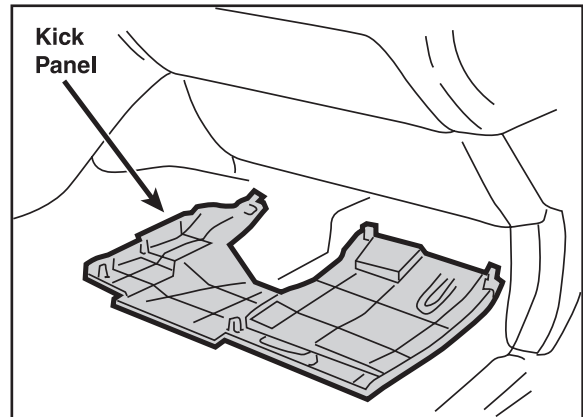


Figure 1

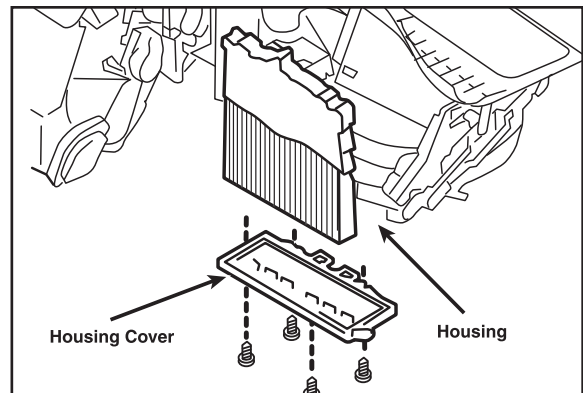


Figure 2

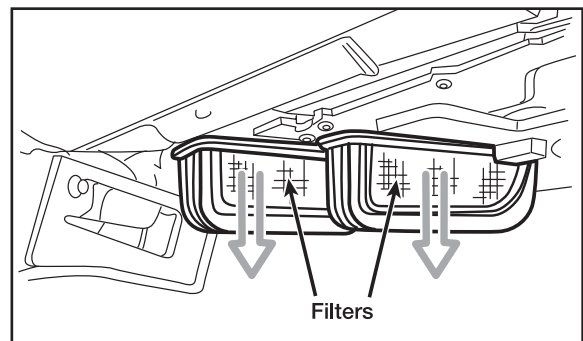


Figure 3

**atp**  
professional auto parts®

1300 Pratt Boulevard  
Elk Grove Village, Illinois 60007  
Phone: 847-967-6790 Fax: 847-967-8686  
www.atp-inc.com • TRANSNET: 79122

# Interior Ventilation Filter Installation

## BMW X5, X6

Interior ventilation filter is located above the passenger side kick panel.

**1. Remove (3) upper passenger side instrument kick panel screws. Unclip cover and remove the kick panel. Disconnect electrical harness of the footwell light. (See Figure 1)**

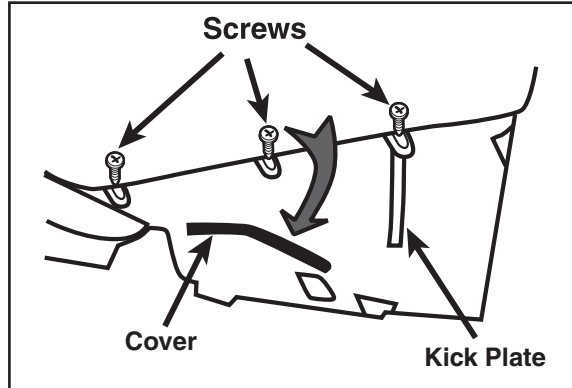


Figure 1

**2. Remove (2) air duct mounting screws and remove the air duct. (See Figure 2)**

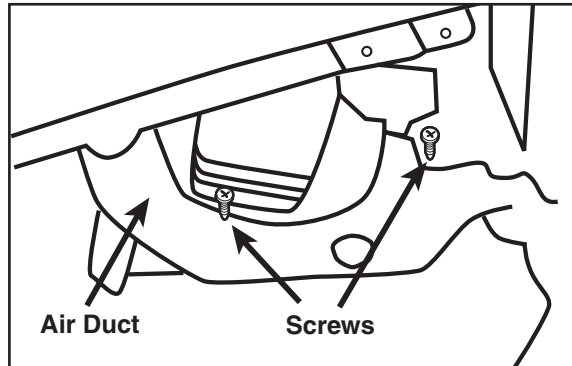


Figure 2

**3. Unclip the air vent and slide the vent filter housing lock to the right to remove. Slide the vent filter downwards and out of housing. (See Figure 3)**

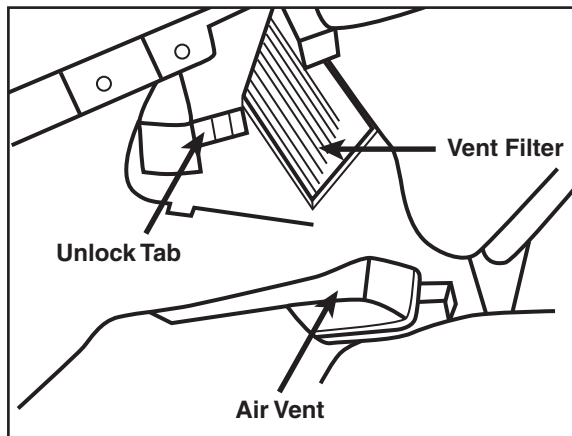


Figure 3

**Approximate install time:  
10-15 minutes**

**atp**  
professional auto parts<sup>®</sup>

1300 Pratt Boulevard  
Elk Grove Village, Illinois 60007  
Phone: 847-967-6790 Fax: 847-967-8686  
www.atp-inc.com • TRANSNET: 79122

# Interior Ventilation Filter Installation

## *BMW 750i, 750Li, 750Li Xdrive, 760Li*

**(REAR AUXILIARY VENT FILTER)**

Interior vent filter is located in the trunk, underneath trunk lining cover.

- 1. Remove all trunk lining cover retainer pins and lift the lining cover out of trunk. (See Figure 1)**
  
- 2. Remove the filter housing frame as illustrated and slide filter out of frame. (See Figure 2)**
  
- 3. Installation will be in the reverse order of removal.**

*Approximate install time: 15 minutes*

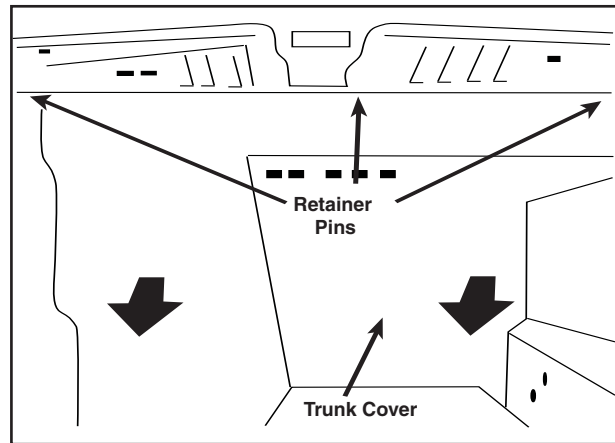


Figure 1

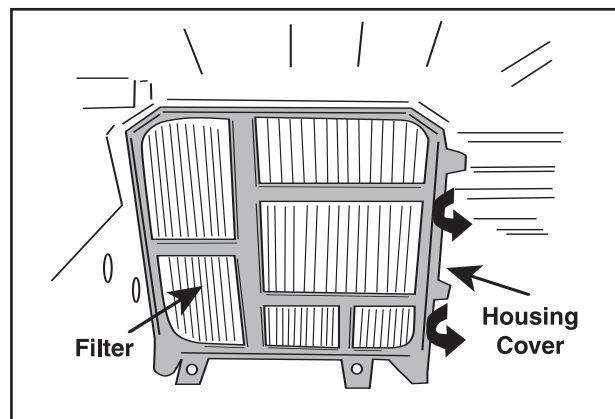


Figure 2



1300 Pratt Boulevard  
Elk Grove Village, Illinois 60007  
Phone: 847-967-6790 Fax: 847-967-8686  
www.atp-inc.com • TRANSNET: 79122

# Interior Ventilation Filter Installation

## Nissan Cube

Interior ventilation filter is located behind glove box compartment, inside filter housing.

1. Open glove box door. Remove door hardware and remove the glove box assembly. (See Figure 1)

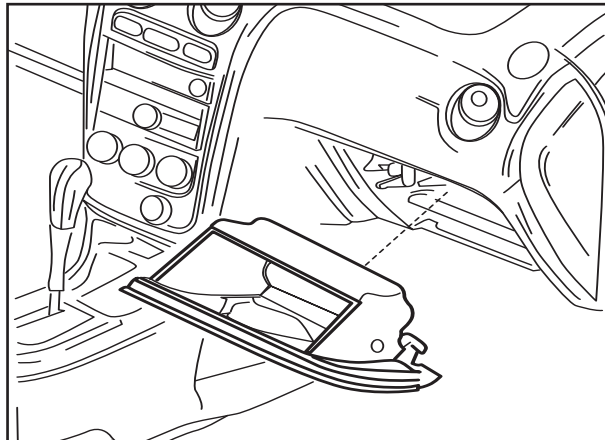


Figure 1

2. Remove the filter housing cover and slide filter out from housing. (See Figure 2)

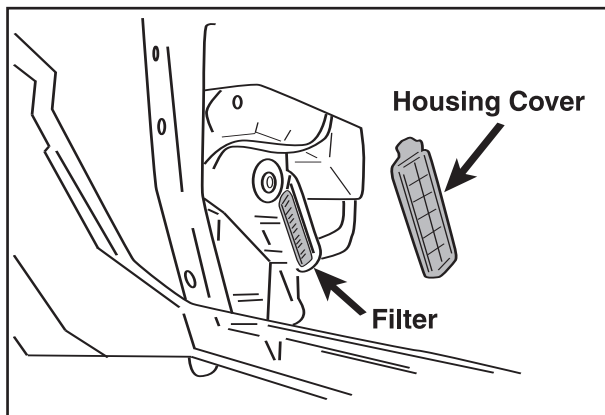


Figure 2

3. Installation is in the reverse order of removal.

*Approximate install time:*  
*20 minutes*

**atp**  
professional auto parts<sup>®</sup>

1300 Pratt Boulevard  
Elk Grove Village, Illinois 60007  
Phone: 847-967-6790 Fax: 847-967-8686  
www.atp-inc.com • TRANSNET: 79122

# **Interior Ventilation Filter Installation**

## ***Chrysler Pacifica, Town & Country, Voyager, Grand Voyager Dodge Caravan, Grand Caravan***

Filter element is located under passenger side dashboard, inside filter housing.

- 1. Slide filter housing cover clip to remove cover.  
(See Figure 1)**
- 2. Pull down to remove filter element.**
- 3. Replace filter element, this filter element can be folded at the slits to ease installation. (See Figure 2)**
- 4. Reinstall cover, slide clip to locking position.**

**Note:** When installing new filter, make sure airflow arrow is pointed in the same direction as on the old filter.

*Approximate Installation Time: 30 Minutes*

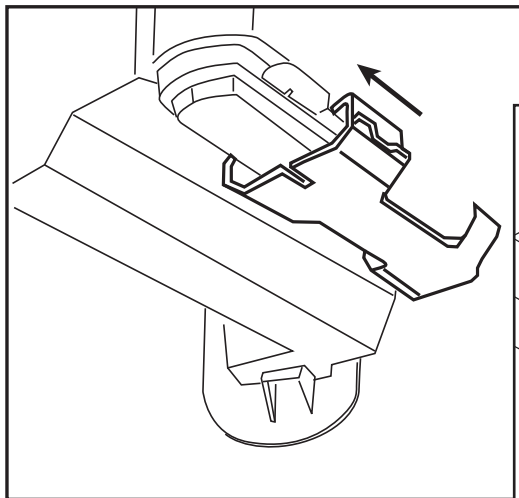


Figure 1

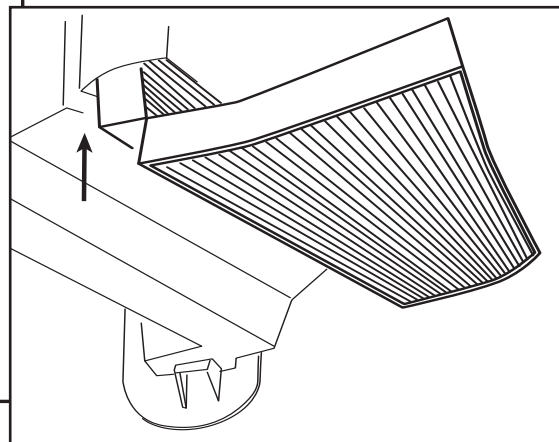


Figure 2

**atp**  
professional auto parts®

1300 Pratt Boulevard  
Elk Grove Village, Illinois 60007  
Phone: 847-967-6790 Fax: 847-967-8686  
www.atp-inc.com • TRANSNET: 79122

# Interior Ventilation Filter Installation

## Chrysler 300, Dodge Charger, Magnum

Interior ventilation filter is located underneath passenger side cowl cover inside the filter housing.

1. Open Hood.
2. Remove passenger cowl cover and open filter housing door. (See Figure 1)
3. Slide filter element up and out of housing. (See Figure 2)
4. Installation is in the reverse order of removal.

**Approximate Installation Time:**  
**25 Minutes**

Figure 1

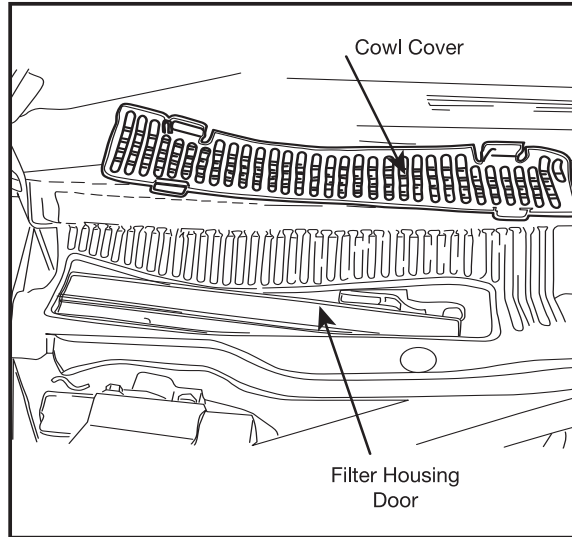
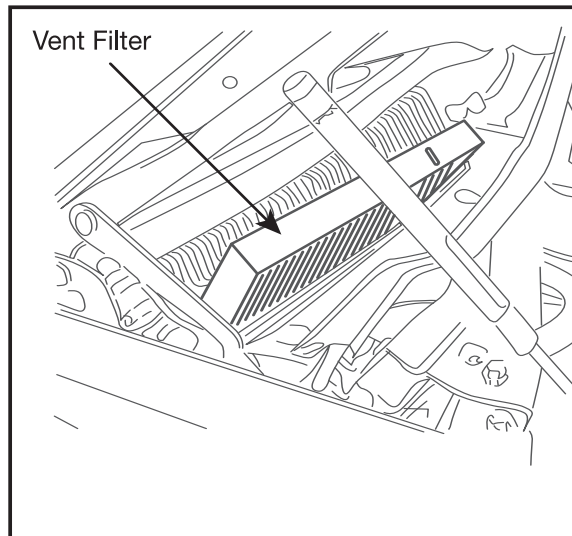


Figure 2



**atp**  
professional auto parts<sup>®</sup>

1300 Pratt Boulevard  
Elk Grove Village, Illinois 60007  
Phone: 847-967-6790 Fax: 847-967-8686  
www.atp-inc.com • TRANSNET: 79122

# Interior Ventilation Filter Installation

## Sprinter

Interior ventilation filter is located inside ventilation housing underneath the passenger side cowl cover.

1. Open and safely secure the hood.
2. Remove the passenger side cowl cover and remove the insulation from the ventilation housing. (See Figure 1)
3. Release the front and rear ventilation filter housing locking clips. Slide out the vent housing cover in the direction of the arrow that is on the vent cover. Remove the vent filter. (See Figure 2)
4. Install filter. Slide the housing cover in the reverse order of removal and engage the front and rear vent housing locking clips. Re-install the passenger side cowl cover.

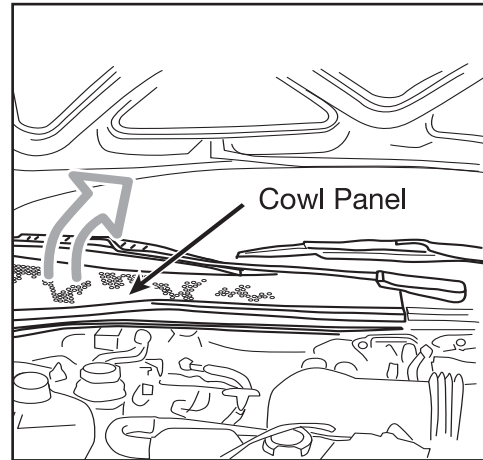


Figure 1

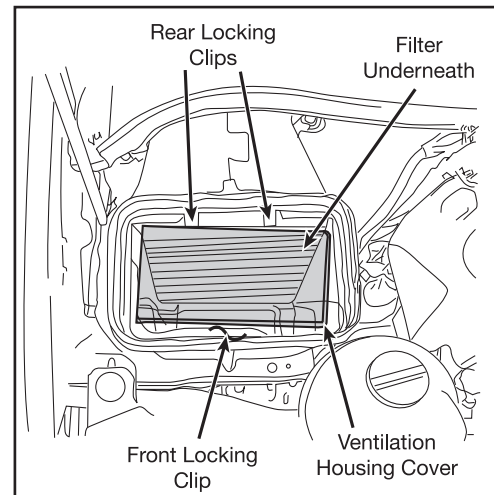


Figure 2

*Approximate Installation Time: 10 Minutes*

**atp**  
professional auto parts®

1300 Pratt Boulevard  
Elk Grove Village, Illinois 60007  
Phone: 847-967-6790 Fax: 847-967-8686  
www.atp-inc.com • TRANSNET: 79122

# Interior Ventilation Filter Installation

## Dodge Caliber, Jeep Compass, Patriot

Interior ventilation filter is located inside filter housing behind the glove box compartment door.

1. Open the glove box door. Push inwards of the door stops to release from catch and allow the glove box door to swing down. (See Figure 1)
2. Grasp each side of the glove box door and twist from left to right to release the hinges from its retainers. (See Figure 2)
3. Release the (2) vent filter housing cover tabs and remove housing cover. (See Figure 3)
4. Reach into housing and remove the vent filter by pulling straight out of the housing. (See Figure 4)
5. Installation is in the reverse order of removal.

*Approximate Installation Time: 15 Minutes*

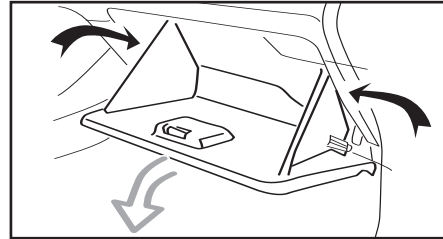


Figure 1

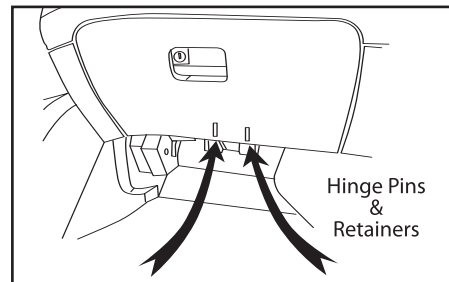


Figure 2

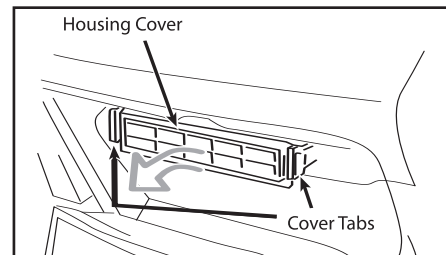


Figure 3

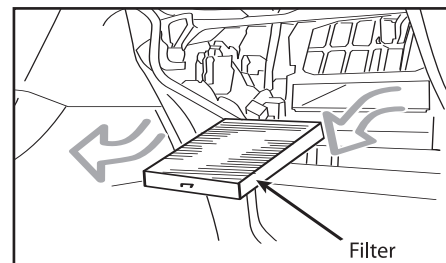


Figure 4

**atp**  
professional auto parts®

1300 Pratt Boulevard  
Elk Grove Village, Illinois 60007  
Phone: 847-967-6790 Fax: 847-967-8686  
www.atp-inc.com • TRANSNET: 79122

# Interior Ventilation Filter Installation

## Chrysler Town & Country, Dodge Caravan

Interior ventilation filter is located inside filter housing, behind the glove box door.

1. Open the glove box door. Squeeze in on both sides of the glove box door to release from stops. Allow the compartment door to swing down. (See Figure 1)

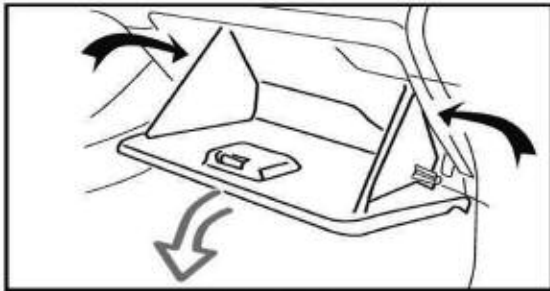


Figure 1

2. Snap off the retainer tabs from the housing cover and remove the housing cover. Slide the filter out of housing. (See Figure 2)

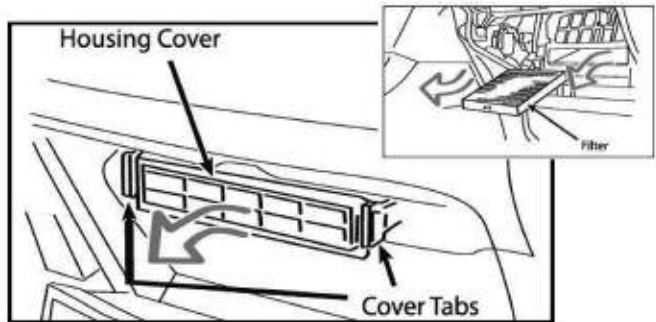


Figure 2

3. Installation is in the reverse order of removal.

*Approximate install time: 5 minutes*

**atp**  
professional auto parts®

1300 Pratt Boulevard  
Elk Grove Village, Illinois 60007  
Phone: 847-967-6790 Fax: 847-967-8686  
www.atp-inc.com • TRANSNET: 79122

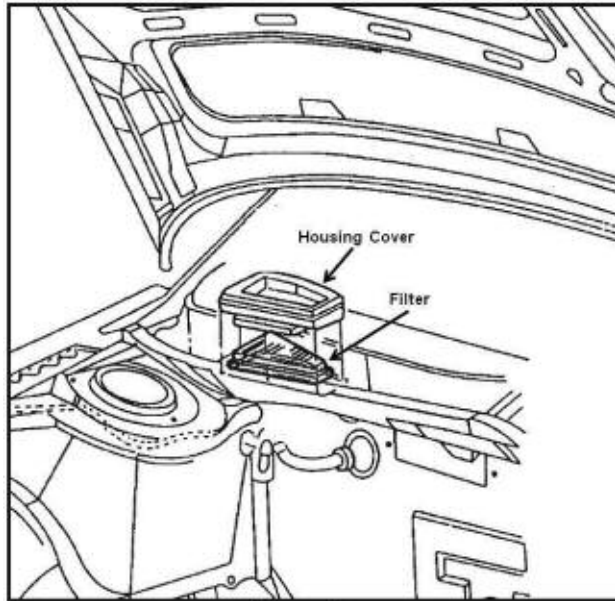
# **Interior Ventilation Filter Installation**

## ***Sprinter***

**Interior ventilation filter is located inside passenger side filter housing underneath hood.**

**1. Open and secure hood. Release and remove the filter housing cover located on the passenger side cowl cover. Remove filter. (See Figure 1)**

**2. Install filter into housing and install housing cover.**



**Figure 1**

***Approximate install time: 5 minutes***

**atp**  
*professional auto parts*

**1300 Pratt Boulevard  
Elk Grove Village, Illinois 60007  
Phone: 847-967-6790 Fax: 847-967-8686  
www.atp-inc.com • TRANSNET: 79122**

# Interior Ventilation Filter Installation

## Dodge Nitro, Jeep Liberty

Interior ventilation filter is located inside filter housing, behind the glove box door.

1. Open the glove box door. Squeeze in on both sides of the glove box door to release from stops. Allow the compartment door to swing down. (See Figure 1)

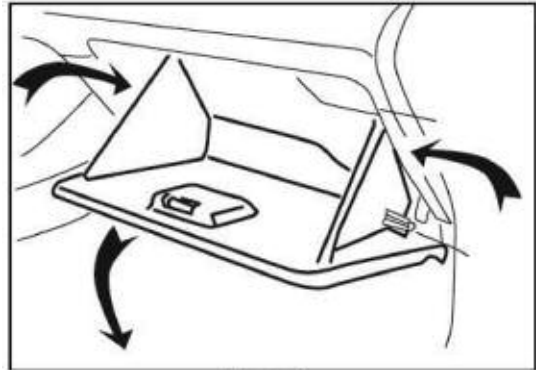


Figure 1

2. Snap off the retainer tabs from the housing cover and remove the housing cover. Slide the filter out of housing. (See Figure 2)

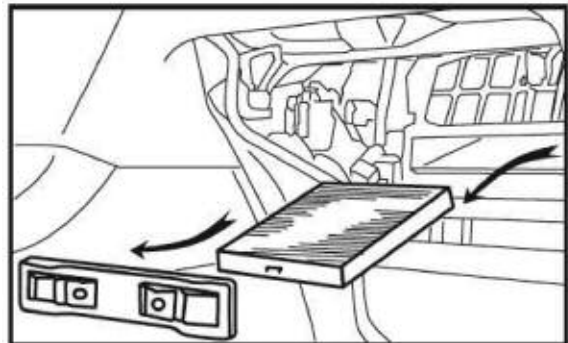


Figure 2

3. Installation is in the reverse order of removal.

*Approximate install time: 5 minutes*

**atp**  
professional auto parts®

1300 Pratt Boulevard  
Elk Grove Village, Illinois 60007  
Phone: 847-967-6790 Fax: 847-967-8686  
www.atp-inc.com • TRANSNET: 79122

# Interior Ventilation Filter Installation

## Jeep Grand Cherokee

Interior ventilation filter is located under the passenger side cowl panel.

1. Remove (3) plastic Torx retaining screws from the cowl panel. (See Figure 1)
2. Open and secure hood. Grasp and pull away the weather strip on the front passenger side of the cowl lip. (See Figure 2)
3. Lift up on the cowl panel. Lift upwards on the (2) filter housing cover tabs and lift out housing cover. Remove filter from housing. (See Figure 3)
4. Installation is in the reverse order of removal.

*Approximate install time: 10 minutes*

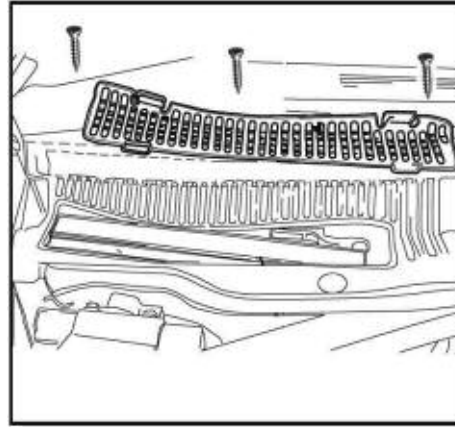


Figure 1

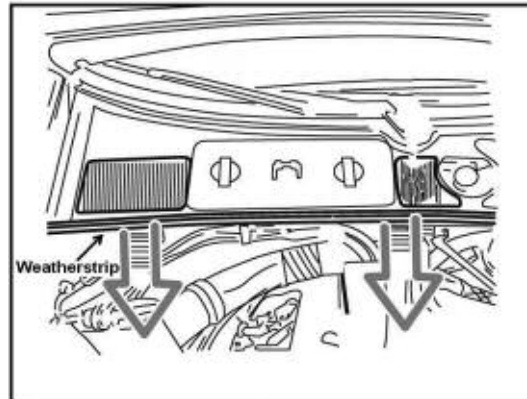


Figure 2

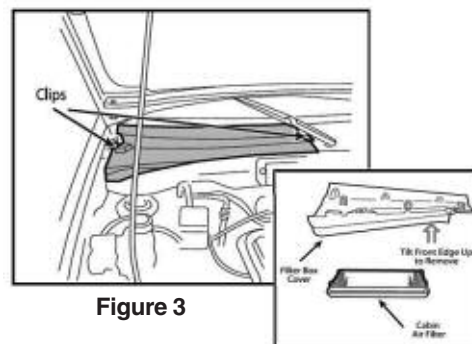


Figure 3

**atp**  
professional auto parts®

1300 Pratt Boulevard  
Elk Grove Village, Illinois 60007  
Phone: 847-967-6790 Fax: 847-967-8686  
www.atp-inc.com • TRANSNET: 79122

# Interior Ventilation Filter Installation

## Chrysler PT Cruiser

Interior ventilation filter is located underneath passenger side cowl panel underneath hood.

1. Turn ignition key to the on position and place windshield wipers upwards. Turn ignition off and open hood. Remove the (4) screws on the passenger side cowl cover and lift cowl panel. (See Figure 1)
2. Remove the washer fluid reservoir mounting bolts and set aside the reservoir. (See Figure 2)
3. Remove filter housing cover and slide filter out of housing. (See Figure 3)
4. Installation is in the reverse order of removal.

*Approximate install time:  
10-15 minutes*

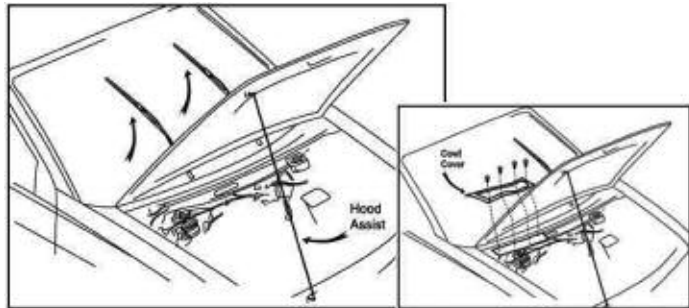


Figure 1

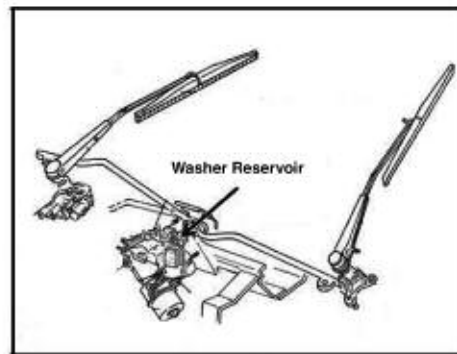


Figure 2

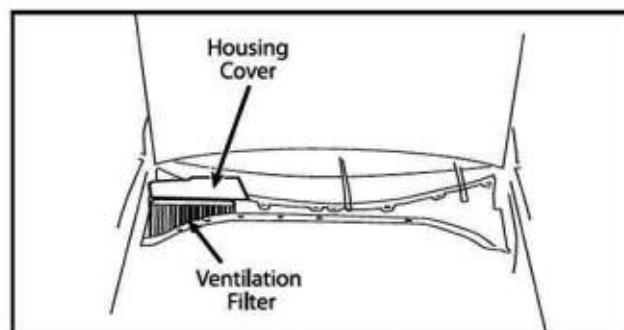


Figure 3

**atp**  
professional auto parts®

1300 Pratt Boulevard  
Elk Grove Village, Illinois 60007  
Phone: 847-967-6790 Fax: 847-967-8686  
www.atp-inc.com • TRANSNET: 79122

# Interior Ventilation Filter Installation

## Volkswagen Beetle

Interior ventilation filter is located in the right rear of the dashboard underneath dash board cover.

1. Push the center cover towards the vehicle's windshield.  
(See Figure 1)
2. Lift up on the panel cover and remove the retaining clips located at the front and rear edge. Pull panel cover towards the center of the vehicle and out of the retainer pillar. (See Figure 2)
3. Remove the (5) filter housing cover screws. (See Figure 3)
4. Remove the rubber grommet and press the tabs of the filter housing. Lift up on filter element to remove from the filter frame.  
(See Figure 4)

Installation is in the reverse order of removal.

*Approximate Installation Time: 30 Minutes*

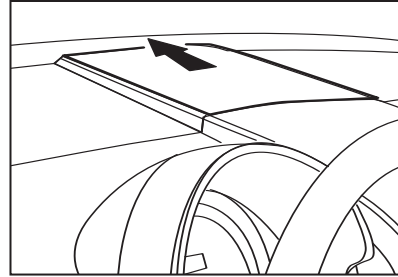


Figure 1

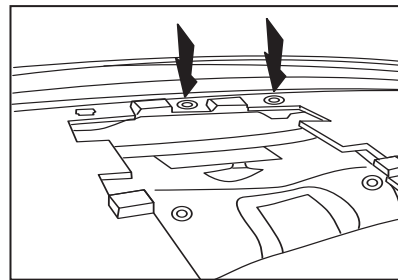


Figure 2

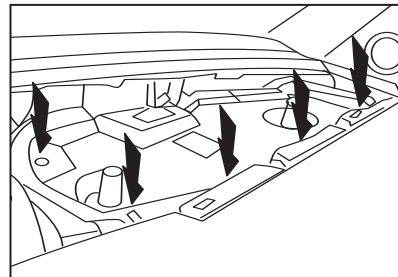


Figure 3

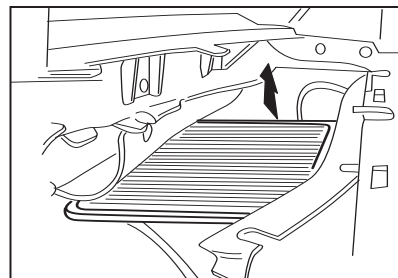


Figure 4

**atp**  
professional auto parts<sup>®</sup>

1300 Pratt Boulevard  
Elk Grove Village, Illinois 60007  
Phone: 847-967-6790 Fax: 847-967-8686  
www.atp-inc.com • TRANSNET: 79122

**Golf, Jetta • On Reverse**

# Interior Ventilation Filter Installation

## Volkswagen Golf, Jetta

Interior ventilation filter is located underneath passenger side cowl cover inside filter housing.

1. With hood open, pull weather strip towards center of engine compartment.
2. Remove (4) retaining screws to gain access to the filter frame. (See Figure 1).
3. Press on the filter housing clips and push towards the front of the vehicle to remove filter frame from housing. Lift up on filter element to remove from frame. (See Figure 2)
4. Installation is in the reverse order of removal.

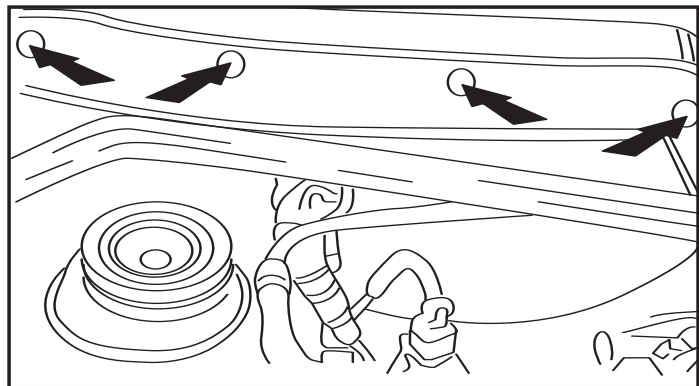


Figure 1

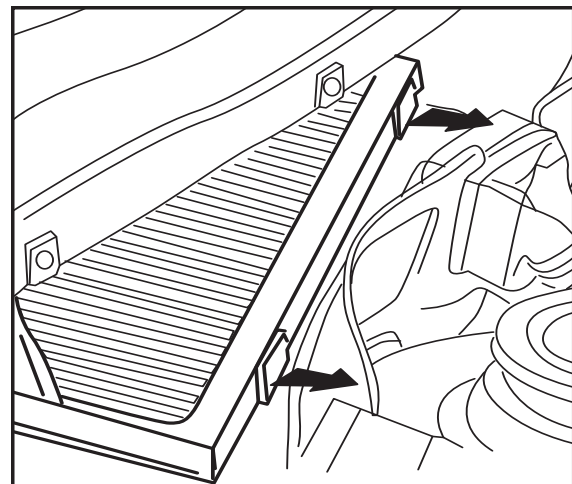


Figure 2

*Approximate Installation Time: 30 Minutes*

**atp**  
professional auto parts®

1300 Pratt Boulevard  
Elk Grove Village, Illinois 60007  
Phone: 847-967-6790 Fax: 847-967-8686  
www.atp-inc.com • TRANSNET: 79122

# Interior Ventilation Filter Installation

## Audi A4, S4, Volkswagen Golf, Passat

The interior vent filter is located in the engine compartment near the cowl on the passenger side.

1. Open hood.
2. Remove interior vent filter cover. (See Figure 1)
3. Remove the rain drip shield, located above the filter (Audi only).
4. Remove interior vent filter from filter housing. (See Figure 2)
5. Install filter in housing and reinstall rain drip shield and cover in reverse order of removal.

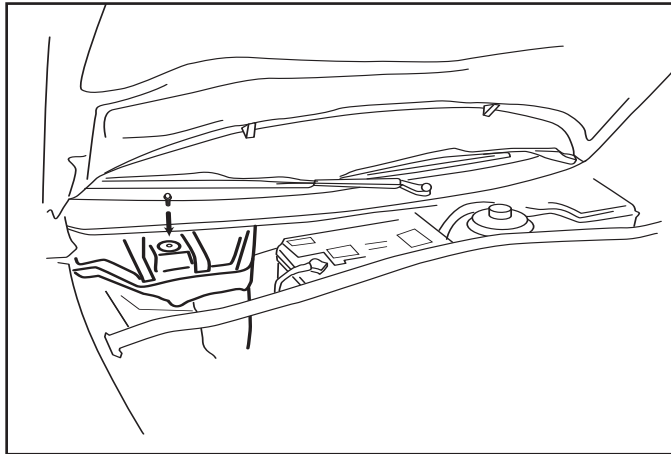


Figure 1

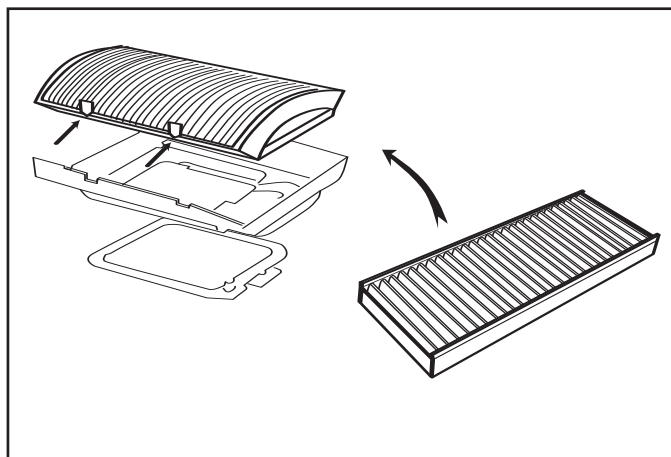


Figure 2

*Approximate Installation  
Time: 20 Minutes*

**atp**  
professional auto parts<sup>®</sup>

1300 Pratt Boulevard  
Elk Grove Village, Illinois 60007  
Phone: 847-967-6790 Fax: 847-967-8686  
www.atp-inc.com • TRANSNET: 79122

# Interior Ventilation Filter Installation

## Audi A4

Interior ventilation filter is located underneath passenger side cowl cover.

1. Open hood. Remove and set aside weatherstrip from firewall. Remove the cowl cover from the front. (See Figure 1)
2. Unclip filter housing cover and remove towards front of the vehicle. Lift up and remove filter. (See Figure 2)
3. Install filter ensuring that the air flow arrows are pointing down. Install housing cover securely so that water does not enter the filter element area.

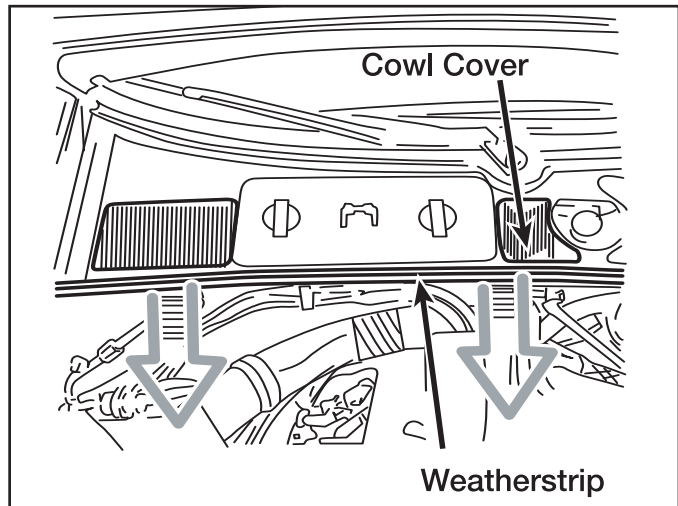


Figure 1

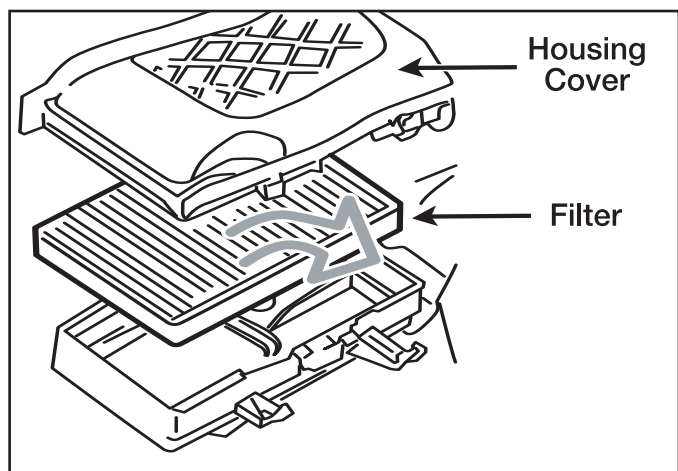


Figure 2

*Approximate Installation  
Time: 20 Minutes*

**atp**  
professional auto parts®

1300 Pratt Boulevard  
Elk Grove Village, Illinois 60007  
Phone: 847-967-6790 Fax: 847-967-8686  
www.atp-inc.com • TRANSNET: 79122

# Interior Ventilation Filter Installation

## Audi A6

Interior ventilation filter is located underneath passenger side cowl cover.

1. Open hood. Pull off and set aside the weatherstrip. Pull the cowl cover towards front of the vehicle. (See Figure 1)
2. Release catches on tab and fold back tab and remove filter. (See Figure 2)
3. Install filter with the air flow arrows pointing down.

*Approximate Installation Time: 20 Minutes*

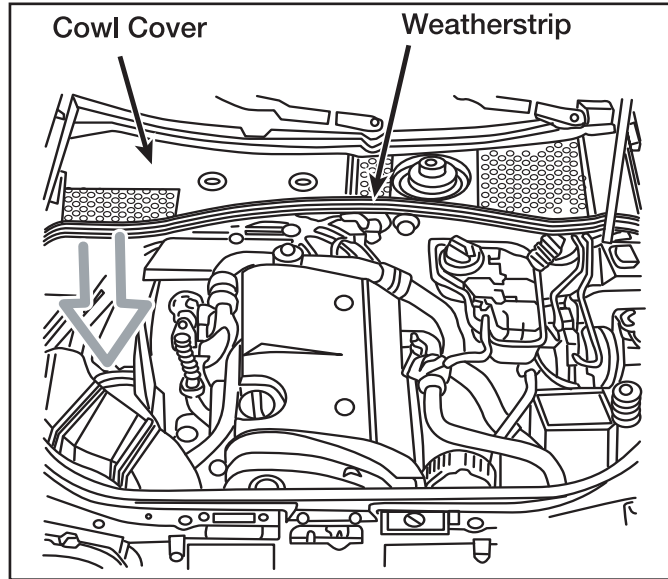


Figure 1

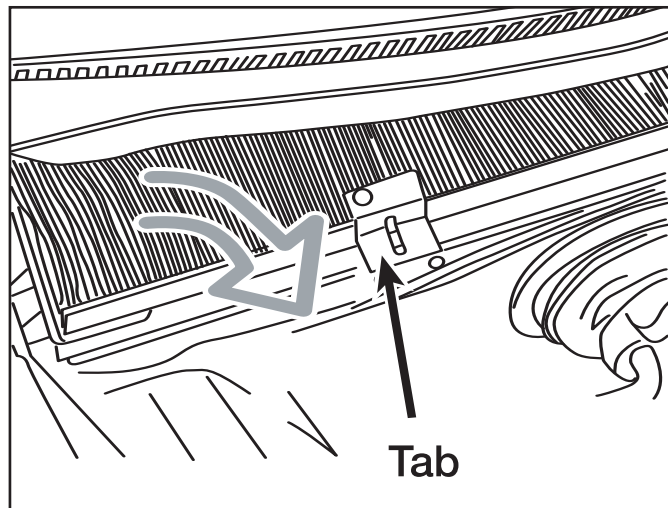


Figure 2

**atp**  
professional auto parts<sup>®</sup>

1300 Pratt Boulevard  
Elk Grove Village, Illinois 60007  
Phone: 847-967-6790 Fax: 847-967-8686  
www.atp-inc.com • TRANSNET: 79122

# Interior Ventilation Filter Installation

## Volkswagen Passat

Interior vent filter is located underneath passenger side cowl cover.

1. Open hood. Remove and set aside weatherstrip along firewall. (See Figure 1)
2. Rotate locking knob approximately 45 degrees counter-clockwise and remove cowl cover towards front of vehicle. (See Figure 2)
3. Pull out filter from housing towards front of vehicle. (See Figure 3)
4. Install filter with foam gasket on the top position, install cowl cover and weatherstrip in the reverse order of removal.

*Approximate Installation Time:  
20 Minutes*

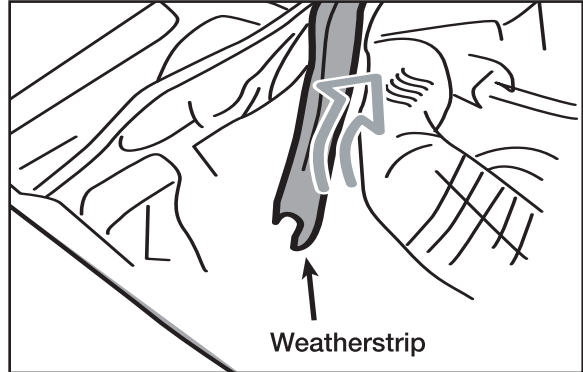


Figure 1

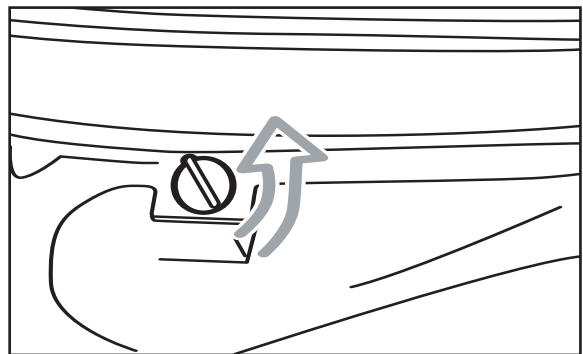


Figure 2

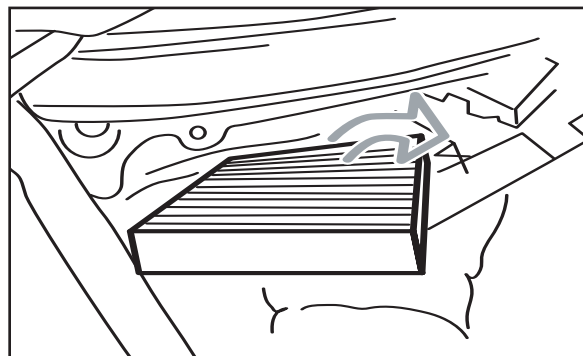


Figure 3

**atp**  
professional auto parts®

1300 Pratt Boulevard  
Elk Grove Village, Illinois 60007  
Phone: 847-967-6790 Fax: 847-967-8686  
www.atp-inc.com • TRANSNET: 79122

# **Interior Ventilation Filter Installation**

## **Audi A8, A8 Quattro**

**Interior ventilation filter is located on the underside of the vehicle's hood.**

**1. Open hood.**

**2. Locate the filter housing on the underside of the hood.**

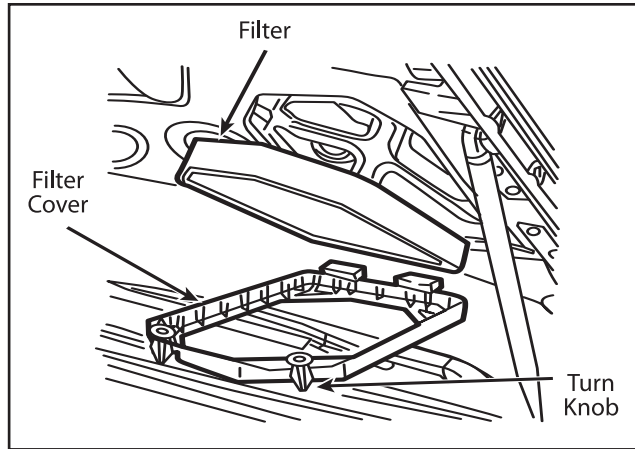


Figure 1

**3. Push in on the quick turn knob lock and rotate approximately 1/4 turn. (See Figure 1)**

**4. Remove cover and filter.**

**5. Installation is in the reverse order of removal.**

*Approximate Installation Time: 10 Minutes*

**atp**  
*professional auto parts<sup>®</sup>*

1300 Pratt Boulevard  
Elk Grove Village, Illinois 60007  
Phone: 847-967-6790 Fax: 847-967-8686  
www.atp-inc.com • TRANSNET: 79122

# Interior Ventilation Filter Installation

## *Audi Q7, Porsche Cayenne, Volkswagen Touareg*

Interior ventilation filter is located above the passenger's side kick panel underneath glove box door.

**1. Release the passenger side kick panel retaining clips and remove the kick panel. (See Figure 1)**

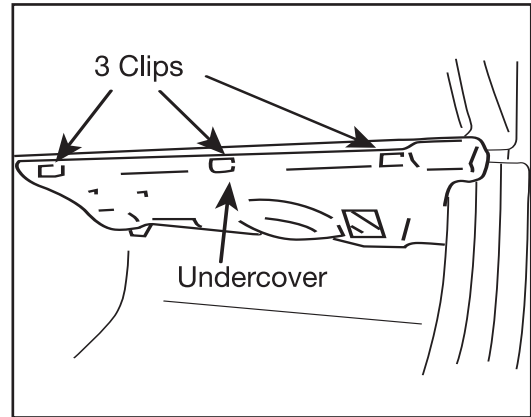


Figure 1

**2. Remove (2) mounting screws from the filter housing cover and remove cover. (See Figure 2)**

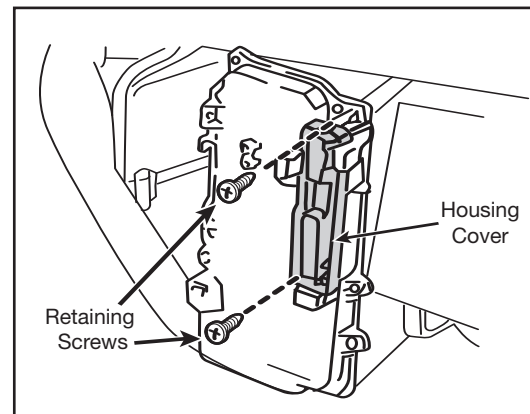


Figure 2

**3. Remove the filter by pulling straight down. (See Figure 3)**

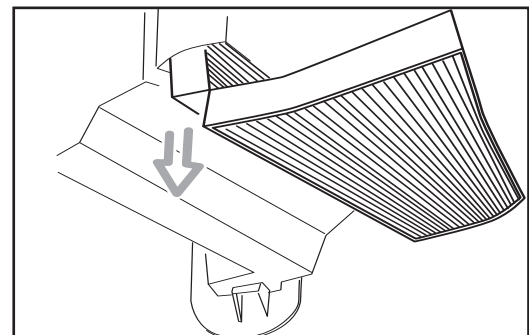


Figure 3

**4. Installation is in the reverse order of removal.**

*Approximate Installation Time:  
10 Minutes*

**atp**  
professional auto parts®

1300 Pratt Boulevard  
Elk Grove Village, Illinois 60007  
Phone: 847-967-6790 Fax: 847-967-8686  
www.atp-inc.com • TRANSNET: 79122

# Interior Ventilation Filter Installation

**Audi A3, TT, TT Quattro, Volkswagen CC, EOS, GTi, Jetta, Passat, R32, Rabbit, Tiguan, Touareg**

Interior ventilation filter is located above the glove box compartment trim panel cover, inside the vent filter housing.

**1. Remove the right side panel from the center console. (See Figure 1)**

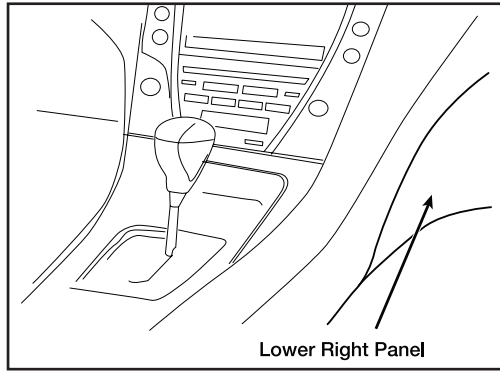


Figure 1

**2. Remove the lower trim panel of the glove box compartment to gain access to the vent filter housing. (See Figure 2)**

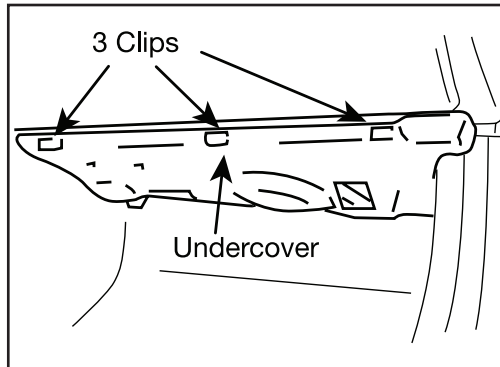


Figure 2

**3. Remove the vent filter housing cover retaining screws and remove cover. Slide the vent filter out of housing. (See Figure 3)**

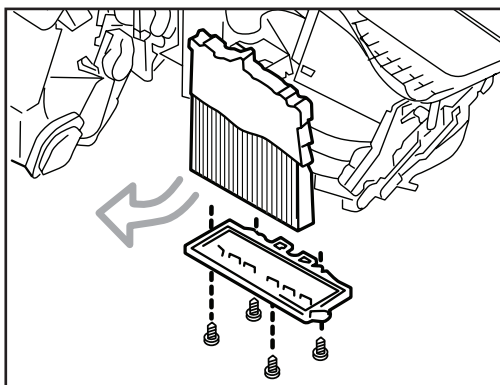


Figure 3

**4. Installation is in the reverse order of removal.**

*Approximate install time: 20 minutes*



1300 Pratt Boulevard  
 Elk Grove Village, Illinois 60007  
 Phone: 847-967-6790 Fax: 847-967-8686  
 www.atp-inc.com • TRANSNET: 79122

# Interior Ventilation Filter Installation

## Audi A6 (incl. Quattro), R8, S6

Interior ventilation filters are located underneath the glove box compartment, above the passenger side kick panel.

1. Detach the passenger side kick panel retaining tabs from the kick panel and remove the panel. (See Figure 1)
2. Disengage the release tab from the filter housing cover and remove the cover. (See Figure 2)
3. Slide the first filter out of housing followed by the second filter. (See Figure 3)
4. Slide first filter back into housing and then push upwards to allow the installation of the second filter. Install housing cover and passenger side kick panel in the reverse order of removal.

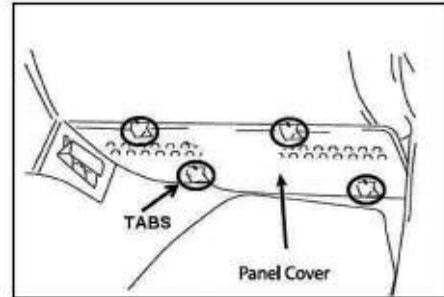


Figure 1

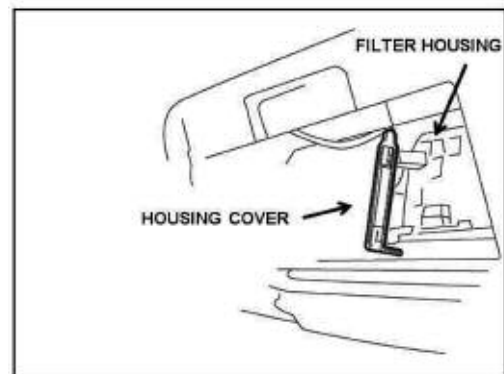


Figure 2

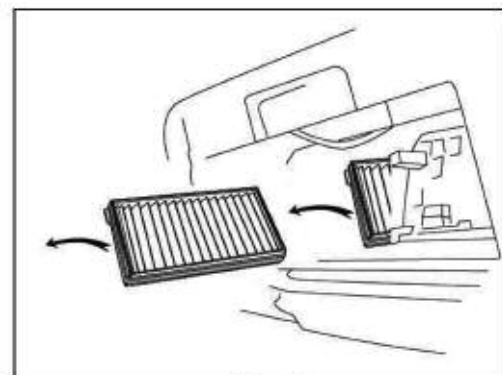


Figure 3

*Approximate install time: 10 minutes*

**atp**  
professional auto parts®

1300 Pratt Boulevard  
Elk Grove Village, Illinois 60007  
Phone: 847-967-6790 Fax: 847-967-8686  
www.atp-inc.com • TRANSNET: 79122

# Interior Ventilation Filter Installation

## Volkswagen Eurovan

Interior ventilation filter is located underneath hood inside passenger side filter chamber.

1. Open and secure hood. Detach (3) saddle clips holding the filter housing chamber. Remove the housing chamber and remove inner filter. (See Figure 1)

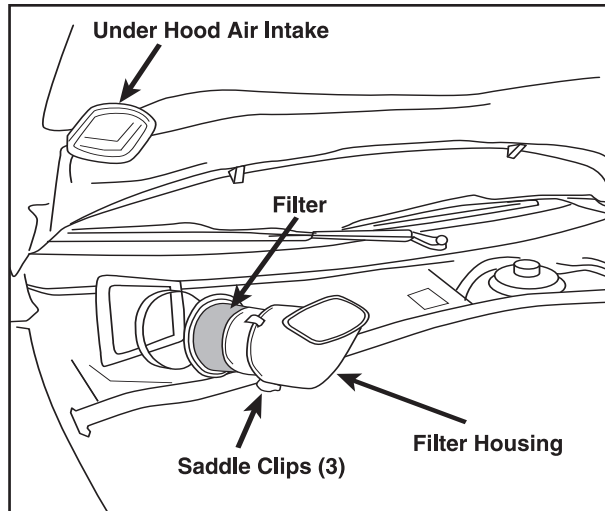


Figure 1

2. Detach filter from filter retainer by squeezing on (2) pinch tabs located on the retainer and remove filter from filter retainer. (See Figure 2)

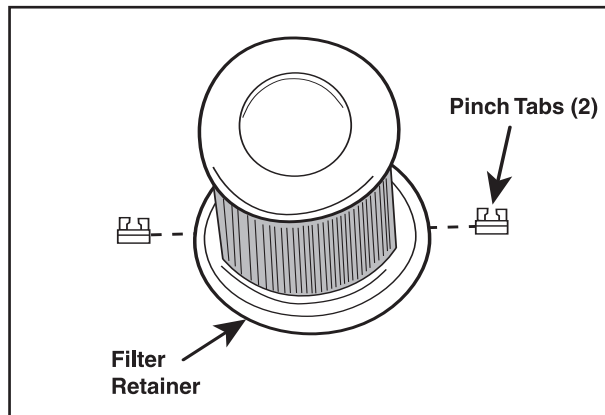


Figure 2

3. Installation is in the reverse order of removal. Make sure filter housing chamber mates correctly to the underhood fresh air intake hole.

*Approximate install time:*  
10 minutes

**atp**  
professional auto parts®

1300 Pratt Boulevard  
Elk Grove Village, Illinois 60007  
Phone: 847-967-6790 Fax: 847-967-8686  
www.atp-inc.com • TRANSNET: 79122

# Interior Ventilation Filter Installation

## Audi A4, A4 Quattro, A5, A5 Quattro, Q5, S4, S5

Interior ventilation filter is located above the passenger side kick panel, inside filter housing.

**1. Disengage the retaining clips on the passenger side kick panel and remove kick panel. (See Figure 1)**

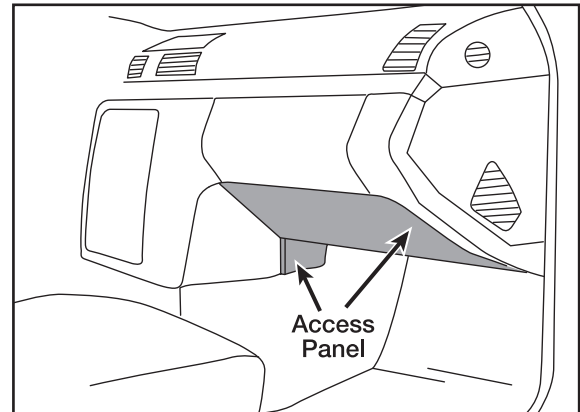


Figure 1

**2. Remove filter housing cover screws and detach retainer tabs. Slide housing cover to the right. (See Figure 2)**

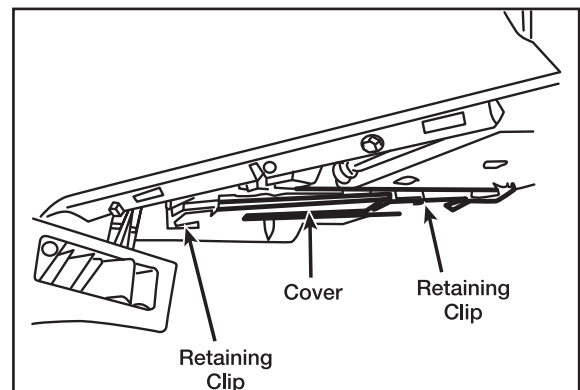


Figure 2

**3. Slide filter downwards and remove filter from housing. (See Figure 3)**

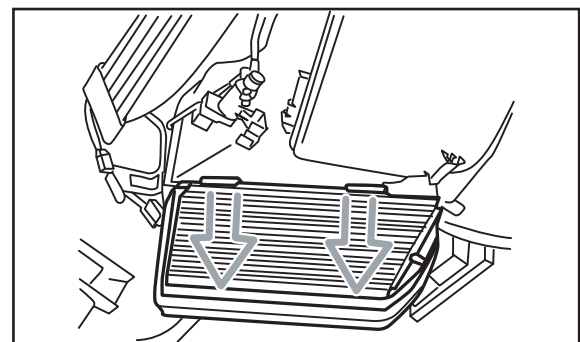


Figure 3

**4. Installation is in the reverse order of removal.**

*Approximate install time: 15 minutes*

**atp**  
professional auto parts®

1300 Pratt Boulevard  
Elk Grove Village, Illinois 60007  
Phone: 847-967-6790 Fax: 847-967-8686  
www.atp-inc.com • TRANSNET: 79122

# Interior Ventilation Filter Installation

## *Audi A8, S8*

Interior ventilation filter is located under hood, under center of the plenum cover.

1. Open and secure hood. Remove left and right plenum covers. Rotate (4) filter cover retainer dials approximately 180° counter-clockwise. (See Figure 1)
2. Remove filter housing cover and lift filter out of housing. (See Figure 2)
3. Installation is in the reverse order of removal.

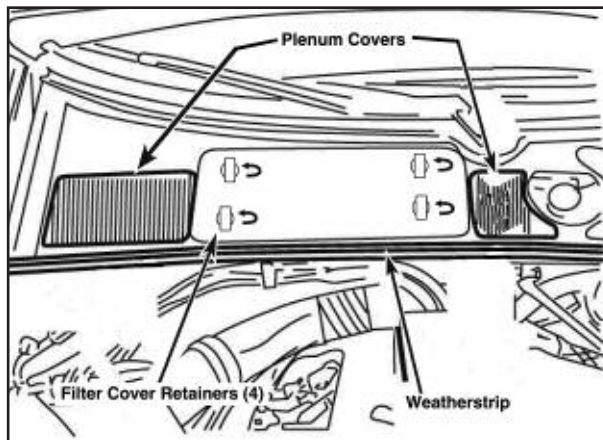


Figure 1

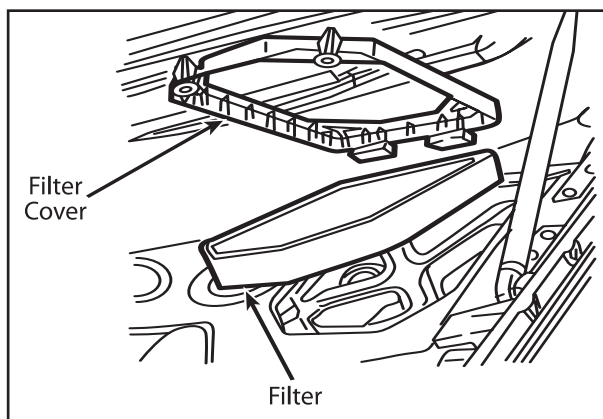


Figure 2

*Approximate install time:*  
**15 minutes**



1300 Pratt Boulevard  
Elk Grove Village, Illinois 60007  
Phone: 847-967-6790 Fax: 847-967-8686  
www.atp-inc.com • TRANSNET: 79122

# Interior Ventilation Filter Installation

## Land Rover LR2, Volvo S80, V70, XC70

Interior ventilation filter is located behind the glove box compartment at the left hand side of the compartment cavity.

1. Remove the glove box compartment assembly to gain access to the compartment cavity. (See Figure 1)
2. Reach into the left hand side of the compartment cavity and release the (3) housing cover tangs and remove the cover. (See Figure 2)
3. Slide filter out of housing. (See Figure 3)
4. Install filter, housing cover and glove box compartment in the reverse order of removal.

*Approximate install time: 15 minutes*

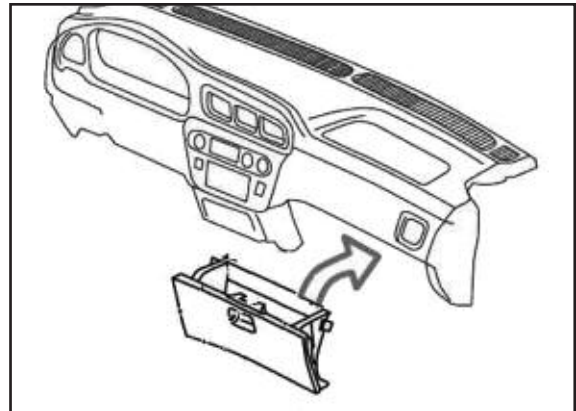


Figure 1

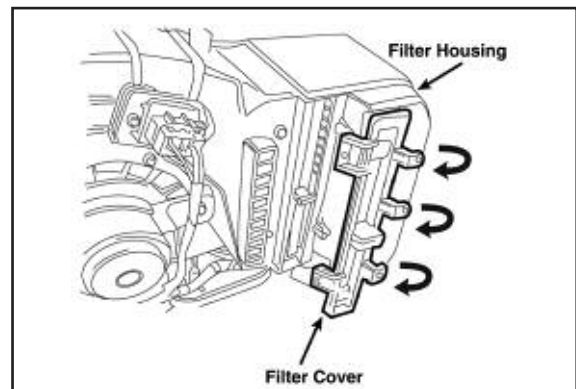


Figure 2

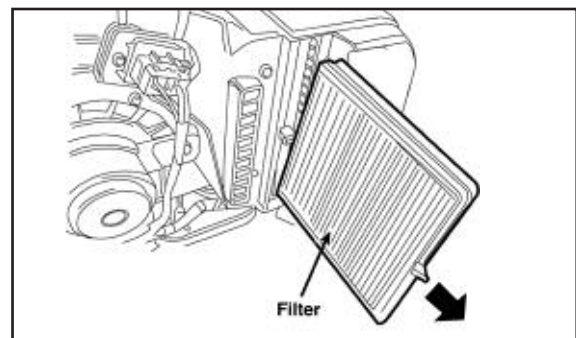


Figure 3

**atp**  
professional auto parts®

1300 Pratt Boulevard  
Elk Grove Village, Illinois 60007  
Phone: 847-967-6790 Fax: 847-967-8686  
www.atp-inc.com • TRANSNET: 79122

# Interior Ventilation Filter Installation

## Hyundai Sonata

Interior ventilation filter is located behind the glove box compartment.

1. Open the glove box door. Push inwards on the left and rear inner door stops to release door allowing the door to swing completely down. (See Figure 1)
2. Remove the (6) screws retaining the rear panel of the compartment door. Pull the panel down to gain access to the filter housing. (See Figure 2)
3. Grasp and unlock the filter housing cover lower tab to release the housing cover. Slide filter out towards you. (See Figure 3)
4. Installation is in the reverse order of removal.

*Approximate install time:*  
**10-15 minutes**



Figure 1

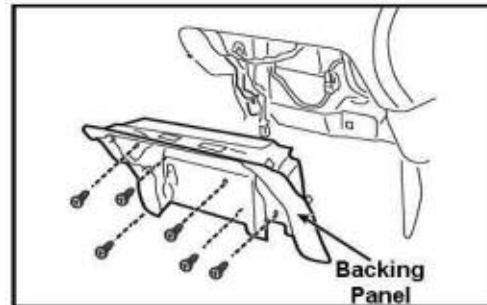


Figure 2

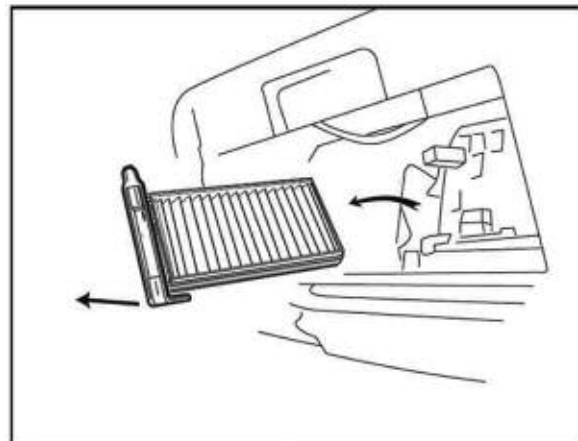


Figure 3

**atp**  
professional auto parts®

1300 Pratt Boulevard  
Elk Grove Village, Illinois 60007  
Phone: 847-967-6790 Fax: 847-967-8686  
www.atp-inc.com • TRANSNET: 79122

# Interior Ventilation Filter Installation

## Jaguar X-Type

Interior ventilation filter is located under hood, underneath the cowl panel cover.

1. Open and secure hood. Position the windshield wipers to the up position. Remove the wiper arm mounting nuts and remove the wiper arms. (See Figure 1)
2. Remove (5-6) cowl panel cover retainer screws and remove the cowl panel. (See Figure 2)
3. Slide filter upwards and out of housing. (See Figure 3)
4. Installation is in the reverse order of removal.

*Approximate install time: 15 minutes*

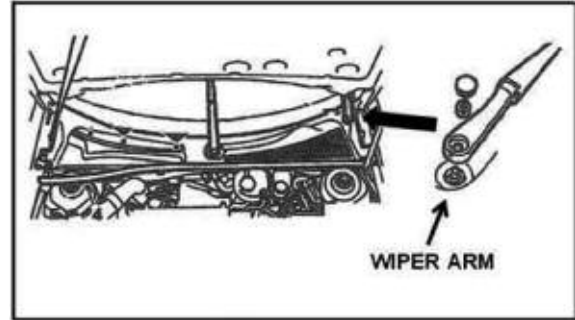


Figure 1

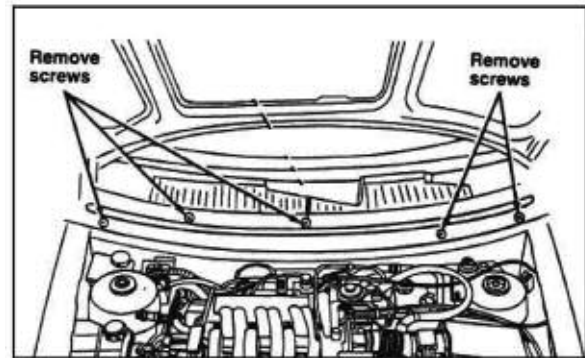


Figure 2

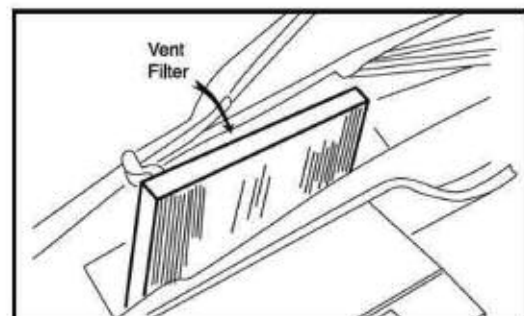


Figure 3

**atp**  
professional auto parts®

1300 Pratt Boulevard  
Elk Grove Village, Illinois 60007  
Phone: 847-967-6790 Fax: 847-967-8686  
www.atp-inc.com • TRANSNET: 79122

# **Interior Ventilation Filter Installation**

## **Mercedes-Benz 300SL, 500SL, 600SL, SL320, SL500, SL600**

Interior ventilation filter is located under hood, underneath center housing cover.

- 1. Open and secure hood. Detach the upper and lower weather strip from the housing cover. Remove (2) cover screws and detach (3) housing retainers. Unplug and carefully remove the climate sensor. (See Figure 1)**
- 2. Lift and remove housing cover and filter. (See Figure 2)**
- 3. Installation is in the reverse order of removal.**

*Approximate install time: 10 minutes*

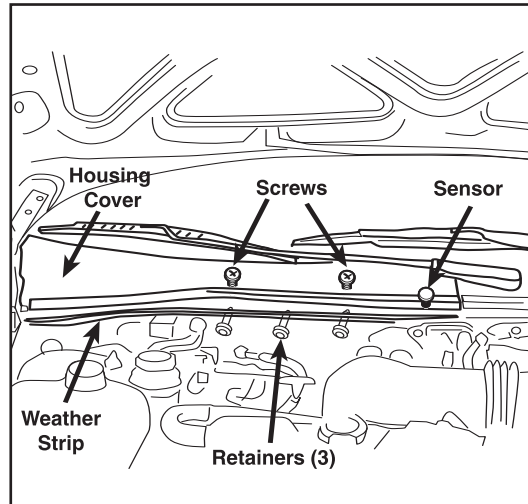


Figure 1

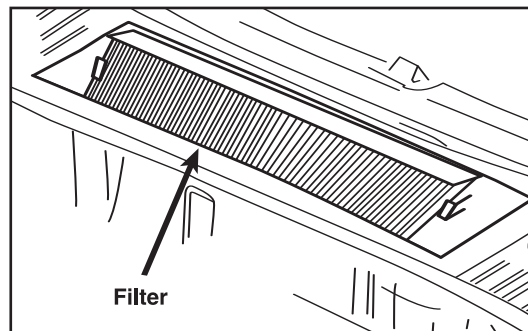


Figure 2

**atp**  
professional auto parts®

1300 Pratt Boulevard  
Elk Grove Village, Illinois 60007  
Phone: 847-967-6790 Fax: 847-967-8686  
www.atp-inc.com • TRANSNET: 79122

# Interior Ventilation Filter Installation

## Jaguar XK8

Interior ventilation filter is located underneath cowl panel, underneath hood.

**1. To remove cowl panel, windshield wiper arms must be removed. Remove the cowl panel to gain access to the filter housing. (See Figure 1)**

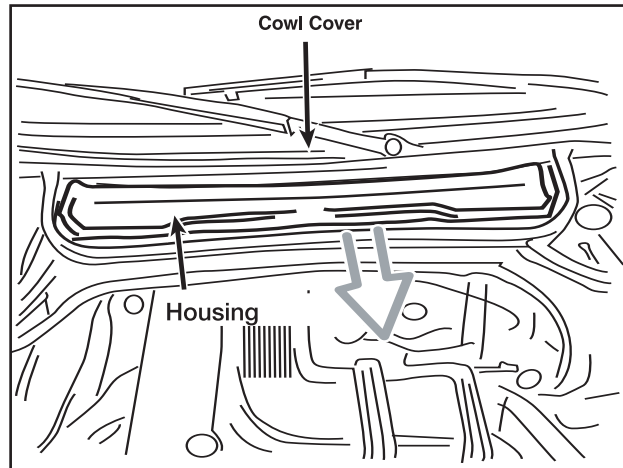


Figure 1

**2. Release (2) filter release tabs at the top of the filter. Swing filter forward towards the front of the vehicle and release the (2) lower release tabs remove the filter. (See Figure 2)**

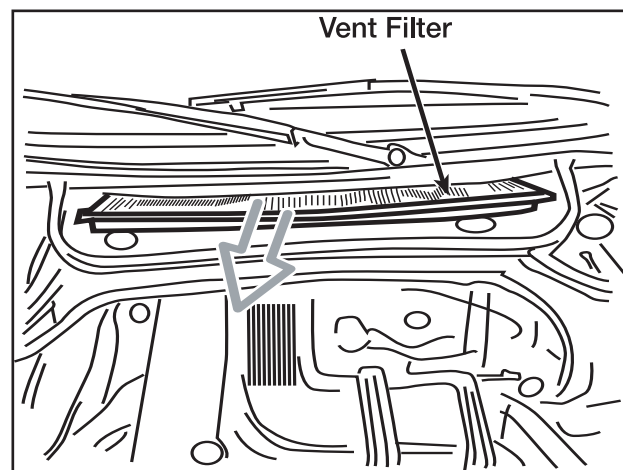


Figure 2

**3. Installation will be in the reverse order of removal.**

*Approximate install time:  
15 minutes*

**atp**  
professional auto parts<sup>®</sup>

1300 Pratt Boulevard  
Elk Grove Village, Illinois 60007  
Phone: 847-967-6790 Fax: 847-967-8686  
www.atp-inc.com • TRANSNET: 79122

# Interior Ventilation Filter Installation

## BMW Z8

Interior ventilation filters are located underneath hood, under the center portion of the cowl panel.

1. Open and secure hood. Loosen (4) hold down screws from the filter housing cover and lift up cover. (See Figure 1)
2. Detach (4) vent filter retaining clips and lift both filters out of housing. (See Figure 2)
3. Installation will be in the reverse order of removal.

*Approximate install time: 5 minutes*

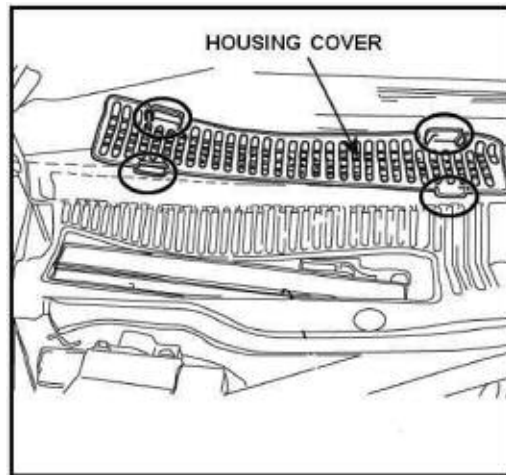


Figure 1

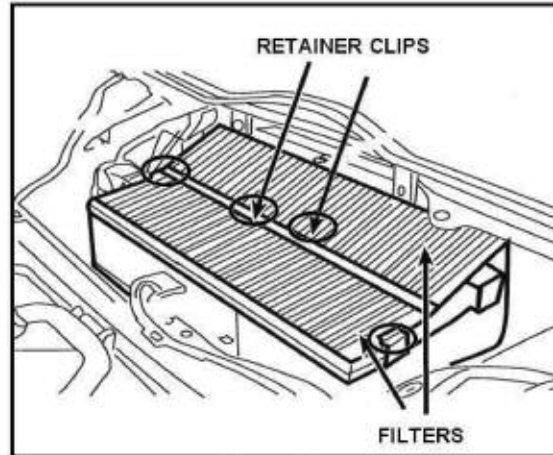


Figure 2

**atp**  
professional auto parts<sup>®</sup>

1300 Pratt Boulevard  
Elk Grove Village, Illinois 60007  
Phone: 847-967-6790 Fax: 847-967-8686  
www.atp-inc.com • TRANSNET: 79122

# Interior Ventilation Filter Installation

## Subaru Forester

Interior ventilation filter is located inside filter housing, behind glove box compartment assembly.

1. Remove (9) glove box compartment mounting screws and remove the glove box compartment. (See Figure 1)
2. Detach (4) housing cover clips and remove the cover. Slide the vent filter out of housing. (See Figure 2)
3. Installation is in the reverse order of removal.

*Approximate install time:*  
**10 minutes**

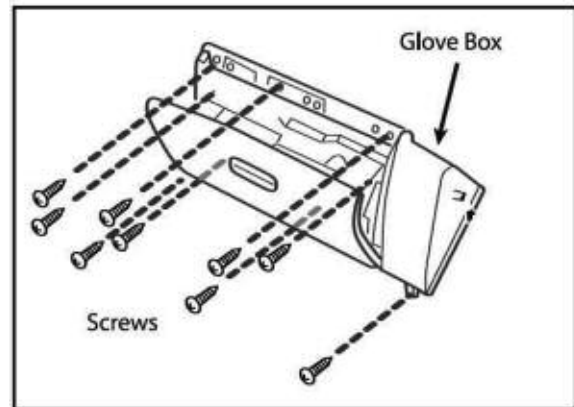


Figure 1

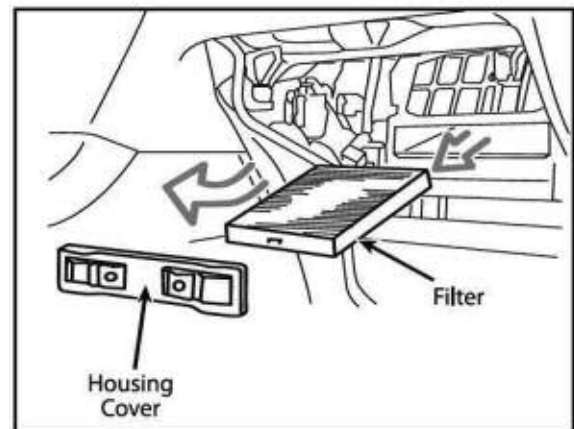


Figure 2

**atp**  
professional auto parts®

1300 Pratt Boulevard  
Elk Grove Village, Illinois 60007  
Phone: 847-967-6790 Fax: 847-967-8686  
www.atp-inc.com • TRANSNET: 79122

# Interior Ventilation Filter Installation

## Porsche Boxster

Interior ventilation filter is located under hood, inside the HVAC housing.

1. Open and secure hood.  
Remove the HVAC housing cover located on the passenger side of the engine compartment. (See Figure 1)
2. Pull up and out on the vent filter to remove from housing. (See Figure 2)
3. Installation will be in the reverse order of removal.

*Approximate install time: 5 minutes*

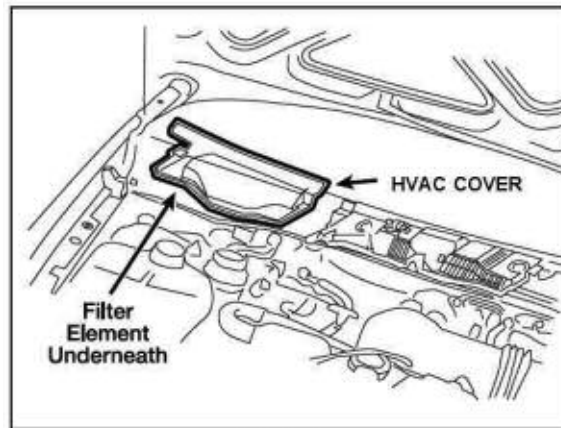


Figure 1

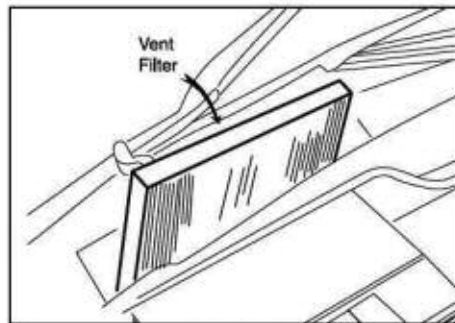


Figure 2

**atp**  
professional auto parts<sup>®</sup>

1300 Pratt Boulevard  
Elk Grove Village, Illinois 60007  
Phone: 847-967-6790 Fax: 847-967-8686  
www.atp-inc.com • TRANSNET: 79122

# Interior Ventilation Filter Installation

## Kia Spectra

Interior ventilation filters are located behind the glove box compartment door.

1. Open glove box door. Push inwards on the glove box door to release the door stops. Swing glove box door completely down. (See Figure 1)
2. Depress the lower tab from the filter housing cover and remove cover. (See Figure 2)
3. Slide the first filter out towards you. Lift the second filter upwards and then slide the second filter out of housing. (See Figure 3)
4. Installation is in the reverse order of removal.

*Approximate install time: 5 minutes*

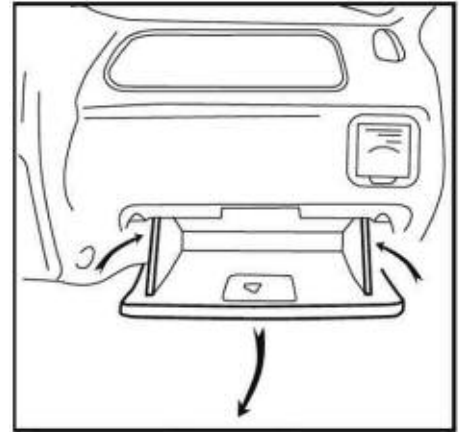


Figure 1

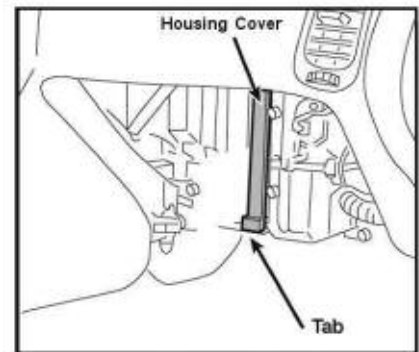


Figure 2

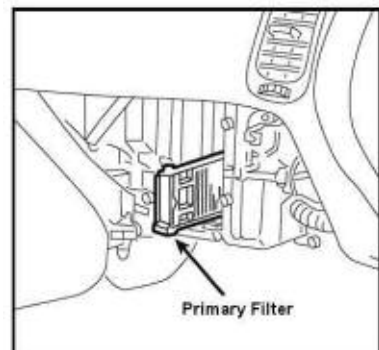


Figure 3

**atp**  
professional auto parts®

1300 Pratt Boulevard  
Elk Grove Village, Illinois 60007  
Phone: 847-967-6790 Fax: 847-967-8686  
www.atp-inc.com • TRANSNET: 79122

# Interior Ventilation Filter Installation

## Audi A6

Interior ventilation filter is located underneath passenger side cowl cover.

1. Open hood. Pull off and set aside the weatherstrip. Pull the cowl cover towards front of the vehicle. (See Figure 1)

2. Release catches on tab and fold back tab and remove filter. (See Figure 2)

3. Install filter with the air flow arrows pointing down.

**Approximate Installation Time:**  
20 Minutes

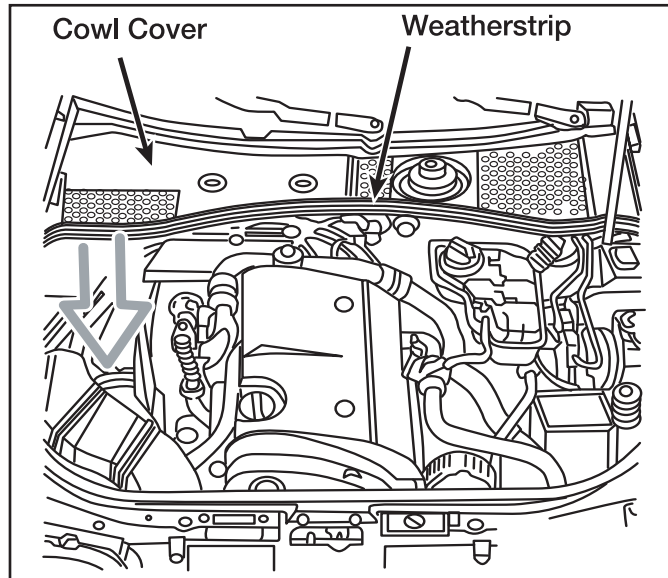


Figure 1

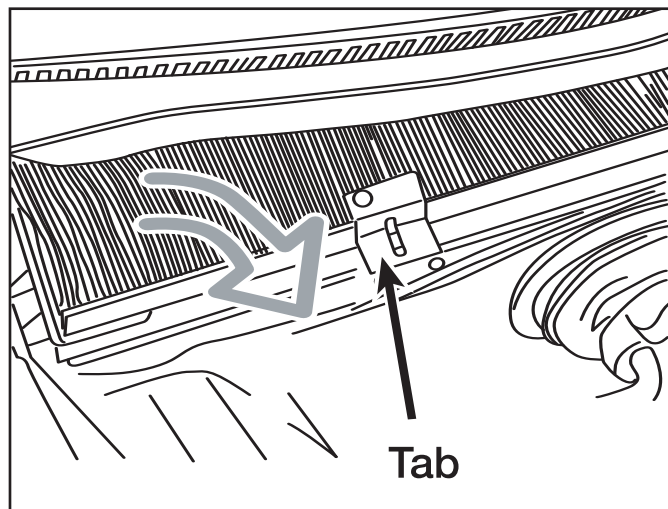


Figure 2

**atp**  
professional auto parts®

1300 Pratt Boulevard  
Elk Grove Village, Illinois 60007  
Phone: 847-967-6790 Fax: 847-967-8686  
www.atp-inc.com • TRANSNET: 79122

# Interior Ventilation Filter Installation

## Saab 9000

Interior ventilation filter is located under hood, inside the evaporator housing.

1. Open and secure hood. Locate the evaporator housing at the passenger side of the engine compartment and remove (8) cover screws, lift cover off evaporator housing. (See Figure 1)
2. Remove filter housing cover screw and retainer lugs and remove the cover. Slide the vent filter out of housing. (See Figure 2)
3. Installation will be in the reverse order of removal.

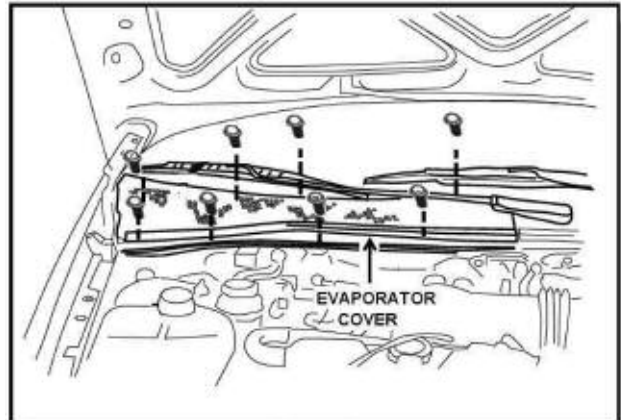


Figure 1

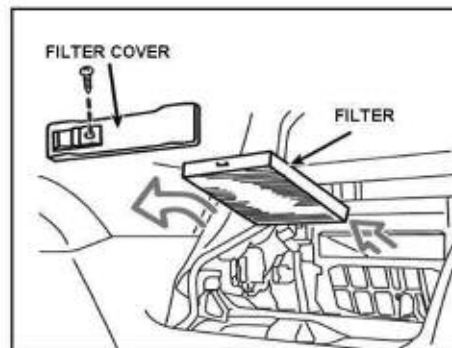


Figure 2

*Approximate install time: 5 minutes*

**atp**  
professional auto parts®

1300 Pratt Boulevard  
Elk Grove Village, Illinois 60007  
Phone: 847-967-6790 Fax: 847-967-8686  
www.atp-inc.com • TRANSNET: 79122

# Interior Ventilation Filter Installation

## Infiniti Q45

Interior ventilation filters are located above the passenger side kick panel, behind the glove box compartment assembly.

1. Remove the passenger side upper kick-panel. Remove the glove box compartment mounting screws and remove the compartment assembly. (See Figure 1)
2. Remove the kick panel reinforcement panel. (See Figure 2)
3. Detach the housing cover clip and remove cover. Slide the first filter out. Slide the second filter down and out. (See Figure 3)
4. Installation is in the reverse order of removal.

*Approximate install time: 15 minutes*

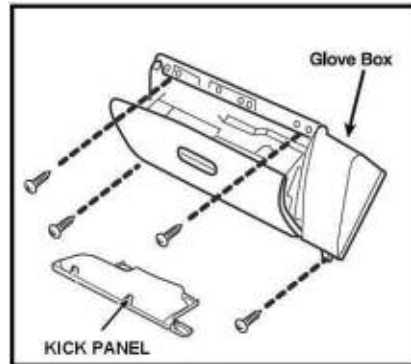


Figure 1

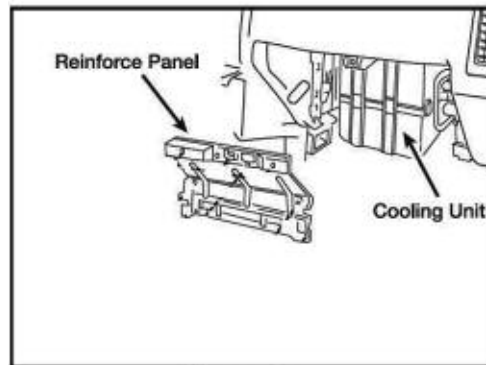


Figure 2

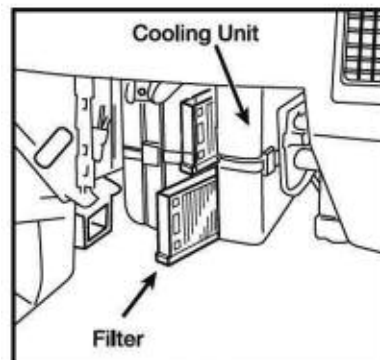


Figure 3

**atp**  
professional auto parts®

1300 Pratt Boulevard  
Elk Grove Village, Illinois 60007  
Phone: 847-967-6790 Fax: 847-967-8686  
www.atp-inc.com • TRANSNET: 79122

# OEM TO ATP INTERCHANGE

## AUDI

1K1819653A .....CF-108 .....VA-8  
 1K1819653B .....CF-108 .....VA-8  
 4B0819439C .....CF-95 .....RA-53  
 4E0819439A .....CF-210 .....VA-13  
 4F0898439A .....CF-234 .....VA-10  
 8K0819439 .....CF-201 .....VA-12  
 8K0819439A .....CF-201 .....VA-12

## BMW

61449070073 .....CF-105 .....RA-60  
 64110008138 .....CF-105 .....RA-60  
 64111393489 .....CF-64 .....RA-24  
 64116921018 .....CF-88 .....RA-45  
 64116921019 .....CF-88 .....RA-45  
 64118390447 .....CF-89 .....RA-46  
 64119069895 .....CF-64 .....RA-24  
 64119163329 .....CF-227 .....RA-133  
 64311390836 .....CF-87 .....RA-44  
 64311496710 .....CF-93 .....RA-51  
 64316915763 .....CF-90 .....RA-47  
 64316915764 .....CF-90 .....RA-47  
 64316935822 .....CF-166 .....RA-91  
 64316945585 .....CF-235 .....RA-81  
 64318409044 .....CF-52 .....RA-12  
 64319069927 .....CF-105 .....RA-60  
 64319070072 .....CF-89 .....RA-46  
 64319071935 .....CF-66 .....RA-26  
 64319127515 .....CF-193 .....RA-100  
 64319142115 .....CF-167 .....RA-92  
 64319159606 .....CF-233 .....RA-82  
 64319174370 .....CF-166 .....RA-91  
 64319175484 .....CF-229 .....RA-135  
 64319194098 .....CF-228 .....RA-134

## CATERPILLAR

1118738 .....CF-148 .....WA-14  
 1193355 .....CF-149 .....—  
 1491912 .....CF-150 .....—  
 1832813 .....CF-205 .....—  
 9X8216 .....CF-214 .....—

## CHRYSLER

82205905 .....CF-70 .....TA-1  
 9018300418 .....CF-1 .....TA-3  
 4596501AB .....CF-71 .....TA-2  
 4596501AC .....CF-71 .....TA-2  
 4885955AA .....CF-70 .....TA-1  
 5013595AA .....CF-134 .....TA-8  
 5058040AA .....CF-143 .....TA-9  
 5058381AA .....CF-75 .....TA-4  
 5058693AA .....CF-75 .....TA-4  
 5101438AA .....CF-67 .....RA-27  
 5103600AA .....CF-1 .....TA-3  
 68012876AA .....CF-130 .....TA-6  
 68033193AA .....CF-171 .....TA-7  
 68042866AA .....CF-125 .....TA-5  
 68042866AB .....CF-125 .....TA-5

## FORD

2R8Z19N619BA .....CF-76 .....FA-13  
 3F1Z19N619AA .....CF-11 .....FA-1  
 4F1Z19N619AA .....CF-11 .....FA-1  
 4R3Z19N619AA .....CF-19 .....FA-9  
 5M6Z19N619AA .....CF-5 .....FA-12  
 7B0819644 .....CF-112 .....RA-64  
 7H0819631 .....CF-103 .....VA-6  
 7T4Z19N619B .....CF-126 .....FA-14  
 8L8Z19N619B .....CF-174 .....FA-15  
 AE5Z19N619A .....CF-217 .....FA-17  
 AE9Z19N619A .....CF-221 .....FA-18  
 F50Y19N619A .....CF-12 .....FA-2

## FORD (continued)

F50Y19N619B .....CF-12 .....FA-2  
 F50Y19N619C .....CF-12 .....FA-2  
 F50Z19N619AA .....CF-12 .....FA-2  
 F50Z19N619BA .....CF-12 .....FA-2  
 F5RZ19N619A .....CF-13 .....FA-3  
 F5RZ19N619B .....CF-13 .....FA-3  
 F5RZ19N619BA .....CF-13 .....FA-3  
 F65Z19N619AB .....CF-20 .....FA-10  
 F6DZ19N619A .....CF-11 .....FA-1  
 F6DZ19N619BA .....CF-11 .....FA-1  
 F6HZ19N619AA .....CF-207 .....—  
 F70H19N619AA .....CF-12 .....FA-2  
 F70Z19N619AA .....CF-12 .....FA-2  
 F70Z19N619AB .....CF-12 .....FA-2  
 F7DH19N619AA .....CF-11 .....FA-1  
 F7DZ19N619AA .....CF-11 .....FA-1  
 F7DZ19N619AB .....CF-11 .....FA-1  
 F80Z19N619AA .....CF-14 .....FA-4  
 F80Z19N619AB .....CF-14 .....FA-4  
 XF2Z19N619AA .....CF-15 .....FA-5  
 XF2Z19N619AB .....CF-15 .....FA-5  
 XF5Z19N619BA .....CF-17 .....FA-7  
 XF5Z19N619BB .....CF-17 .....FA-7  
 XF5Z19N619CB .....CF-17 .....FA-7  
 XS4Z19N619AA .....CF-16 .....FA-6  
 XS4Z19N619CA .....CF-16 .....FA-6  
 XW4Z19N619A .....CF-18 .....FA-8  
 XW4Z19N619AC .....CF-18 .....FA-8  
 YL8Z19N619AB .....CF-21 .....FA-11

## FREIGHTLINER

91559 .....CF-206 .....WA-7  
 22446600 .....CF-202 .....—  
 BOA91559 .....CF-206 .....WA-7

## GENERAL MOTORS

10302760 .....CF-28 .....GA-7  
 10322538 .....CF-28 .....GA-7  
 10340216 .....CF-22 .....GA-1  
 10345066 .....CF-77 .....GA-15  
 10395221 .....CF-22 .....GA-1  
 10406026 .....CF-22 .....GA-1  
 10435138 .....CF-28 .....GA-7  
 10446783 .....CF-22 .....GA-1  
 12489479 .....CF-25 .....GA-4  
 12489487 .....CF-28 .....GA-7  
 13175553 .....CF-156 .....GA-19  
 15284938 .....CF-22 .....GA-1  
 15781507 .....CF-77 .....GA-15  
 15811562 .....CF-24 .....GA-3  
 15848592 .....CF-77 .....GA-15  
 15861929 .....CF-77 .....GA-15  
 19129808 .....CF-30 .....GA-9  
 19130294 .....CF-132 .....GA-16  
 19184673 .....CF-80 .....RA-31  
 22665802 .....CF-30 .....GA-9  
 25654414 .....CF-24 .....GA-3  
 25669930 .....CF-24 .....GA-3  
 25689297 .....CF-24 .....GA-3  
 25740404 .....CF-32 .....GA-11  
 52482839 .....CF-26 .....GA-5  
 52482840 .....CF-26 .....GA-5  
 52482929 .....CF-28 .....GA-7  
 52485513 .....CF-25 .....GA-4  
 52493319 .....CF-33 .....GA-12  
 88957450 .....CF-32 .....GA-11  
 88970273 .....CF-31 .....GA-10  
 88986533 .....CF-135 .....—  
 90464424 .....CF-29 .....GA-8  
 91175923 .....CF-27 .....GA-6  
 92184248 .....CF-203 .....GA-17

## GENERAL MOTORS (continued)

93165208 .....CF-34 .....GA-13  
 93182438 .....CF-34 .....GA-13  
 96539649 .....CF-35 .....GA-14  
 96830504 .....CF-35 .....GA-14  
 9586165D00 .....CF-27 .....GA-6

## HONDA

79370SPOH01 .....CF-145 .....HA-12  
 79371SZ3A01 .....CF-79 .....HA-8  
 79831S2A003 .....CF-78 .....HA-7  
 80282SCAE11 .....CF-39 .....HA-4  
 80290SOXA01 .....CF-38 .....HA-3  
 80291S30901 .....CF-111 .....HA-10  
 80291S84A01 .....CF-36 .....HA-1  
 80291SAAJ01 .....CF-99 .....HA-9  
 80291ST3505 .....CF-37 .....HA-2  
 80291ST3E01 .....CF-37 .....HA-2  
 80291TF0E01 .....CF-209 .....HA-11  
 80292S5A003 .....CF-39 .....HA-4  
 80292S5DA01 .....CF-39 .....HA-4  
 80292SCAE11 .....CF-39 .....HA-4  
 80292SCAG01 .....CF-39 .....HA-4  
 80292SDAA01 .....CF-40 .....HA-5  
 80292SDCA01 .....CF-40 .....HA-5  
 80292SECA01 .....CF-40 .....HA-5  
 80292SHJA41 .....CF-41 .....HA-6  
 80292TF0G01 .....CF-209 .....HA-11

## HYUNDAI

971331 .....CF-100 .....RA-56  
 879038100 .....CF-6 .....RA-41  
 879038100 .....CF-6 .....RA-41  
 9761725000 .....CF-137 .....RA-108  
 9761938100 .....CF-6 .....RA-41  
 971332E200 .....CF-102 .....RA-58  
 971332E205 .....CF-102 .....RA-58  
 971332E210 .....CF-102 .....RA-58  
 087902E250 .....CF-9 .....RA-42  
 087901C000 .....CF-86 .....RA-43  
 087901E000A .....CF-100 .....RA-56  
 087902G000A .....CF-220 .....RA-127  
 087902H000A .....CF-173 .....RA-97  
 0879038100A .....CF-136 .....—  
 087903J000A .....CF-144 .....RA-113  
 87901E000A .....CF-100 .....RA-56  
 879038100A .....CF-136 .....—  
 9586080J00 .....CF-101 .....RA-57  
 9586080J00 .....CF-191 .....RA-120  
 971332B010 .....CF-104 .....RA-59  
 971332D000 .....CF-104 .....RA-59  
 971332D100 .....CF-101 .....RA-57  
 971332H000 .....CF-173 .....RA-97  
 971333J000 .....CF-144 .....RA-113  
 971333K000 .....CF-104 .....RA-59  
 971333M000 .....CF-212 .....RA-102  
 971412D000 .....CF-104 .....RA-59  
 976171C000 .....CF-86 .....RA-43  
 976193D000 .....CF-63 .....RA-23

## INTERNATIONAL

2506656C1 .....CF-117 .....WA-5  
 2506656C2 .....CF-117 .....WA-5

## JAGUAR

C2C6884 .....CF-231 .....RA-78  
 C2P2410 .....CF-232 .....RA-79  
 C2Z6525 .....CF-232 .....RA-80  
 MJD6863AA .....CF-159 .....—

# OEM TO ATP INTERCHANGE

## JOHN DEERE

AL119096 .....CF-153 ..... —  
 AT191102 .....CF-155 ..... —  
 RE187966 .....CF-146 .....WA-13

## KIA

971333E260 .....CF-161 .....RA-86  
 971333E266 .....CF-161 .....RA-86  
 971333E270 .....CF-161 .....RA-86  
 971444E270 .....CF-161 .....RA-86  
 OK9A56152XA .....CF-190 ..... —  
 971143B100 .....CF-94 .....RA-52  
 971143B200 .....CF-94 .....RA-52  
 971332F000 .....CF-172 .....RA-96  
 971332F010 .....CF-172 .....RA-96  
 971332G000 .....CF-220 .....RA-127  
 971332K000 .....CF-218 .....RA-125  
 OK9A56152XA .....CF-190 ..... —

## LAND ROVER

BTR8037 .....CF-57 .....RA-17  
 JKR100280 .....CF-85 .....RA-40  
 JKR500020 .....CF-168 .....RA-93

## MAZDA

BP4K61J6X .....CF-119 .....RA-67  
 CC2961J6X .....CF-119 .....RA-67  
 CE4961J6X .....CF-119 .....RA-67  
 EG2161P11 .....CF-160 .....RA-85  
 GD7A61J6X .....CF-142 ..... —  
 GK3J61148 .....CF-55 .....RA-15  
 GS3L61148 .....CF-224 .....RA-130  
 LC7461P11 .....CF-49 .....RA-8  
 LDY461J6X .....CF-56 .....RA-16  
 TA0561J6X .....CF-139 .....RA-110  
 ZZCA61P11 .....CF-5 .....FA-12

## MERCEDES BENZ

2118301218 .....CF-225 .....RA-131  
 2218300018 .....CF-213 .....RA-103  
 2218300718 .....CF-213 .....RA-103  
 4638300018 .....CF-226 .....RA-132  
 1248300118 .....CF-3 .....RA-48  
 1408350047 .....CF-60 .....RA-20  
 1408350147 .....CF-60 .....RA-20  
 1638350047 .....CF-59 .....RA-19  
 1648300218 .....CF-133 .....RA-75  
 1718300418 .....CF-128 .....RA-72  
 2038300118 .....CF-175 .....RA-98  
 2038300518 .....CF-92 .....RA-50  
 2038300918 .....CF-175 .....RA-98  
 2038302118 .....CF-92 .....RA-50  
 2048300018 .....CF-164 .....RA-89  
 2108300018 .....CF-61 .....RA-21  
 2108301018 .....CF-61 .....RA-21  
 2108301118 .....CF-62 .....RA-22  
 2108301218 .....CF-67 .....RA-27  
 2118300018 .....CF-170 .....RA-95  
 2118300818 .....CF-170 .....RA-95  
 2128300018 .....CF-164 .....RA-89  
 2308300418 .....CF-91 .....RA-49  
 4518300018 .....CF-163 .....RA-88

## MITSUBISHI

7803A004 .....CF-127 .....RA-71  
 MR398288 .....CF-7 .....RA-30  
 MR500360 .....CF-68 .....RA-28

## MINI

64311496710 .....CF-93 .....RA-51

## NEW HOLLAND

86545652 .....CF-154 ..... —  
 TJ330 .....CF-181 ..... —

## NISSAN

2729801307 .....CF-110 .....RA-63  
 27274EA000 .....CF-10 .....RA-39  
 27274ZM70A .....CF-110 .....RA-63  
 272774M400 .....CF-8 .....RA-9  
 272774M425 .....CF-8 .....RA-9  
 27277CL025 .....CF-8 .....RA-9  
 27277EG025 .....CF-112 .....RA-64  
 27277EN000 .....CF-131 .....RA-74  
 27277EN025 .....CF-131 .....RA-74  
 27277JA00A .....CF-192 .....RA-99  
 272987B000 .....CF-17 .....FA-7  
 27298ZR00A .....CF-58 .....RA-18  
 272995Z000 .....CF-110 .....RA-63  
 27891EL00A .....CF-162 .....RA-87  
 999M1VP001 .....CF-8 .....RA-9  
 999M1VP002 .....CF-69 .....RA-29  
 999M1VP003 .....CF-65 .....RA-25  
 999M1VP004 .....CF-54 .....RA-14  
 999M1VP005 .....CF-58 .....RA-18  
 999M1VP051 .....CF-8 .....RA-9  
 999M1VP055 .....CF-58 .....RA-18  
 999M1VR056 .....CF-10 .....RA-39  
 999M1VS007 .....CF-131 .....RA-74  
 B72771CA0A .....CF-216 .....RA-106  
 B7277JN20A .....CF-215 .....RA-105  
 B78911FCOA .....CF-230 .....RA-136

## PORSCHE

99757121901 .....CF-219 .....RA-126

## SAAB

4230322 .....CF-120 .....RA-65  
 4632493 .....CF-120 .....RA-65  
 5047113 .....CF-120 .....RA-65  
 5335948 .....CF-169 .....RA-94  
 5335955 .....CF-169 .....RA-94  
 9179904 .....CF-165 .....RA-90  
 9179905 .....CF-165 .....RA-90  
 12758727 .....CF-169 .....RA-94  
 12758729 .....CF-169 .....RA-94  
 93172129 .....CF-165 .....RA-90  
 93172299 .....CF-165 .....RA-90

## SMART

0001110V003 .....CF-109 .....RA-62  
 4518300018 .....CF-163 .....RA-88

## STERLING

F6HZ19N619AA .....CF-207 ..... —

## SUBARU

72880AE080 .....CF-2 .....RA-38  
 72880FE000 .....CF-4 .....RA-36  
 72880FG000 .....CF-194 .....RA-101  
 72880SA000 .....CF-84 .....RA-37  
 72880XA00A .....CF-49 .....RA-8  
 G3010FE100 .....CF-84 .....RA-37  
 G3010SA100 .....CF-84 .....RA-37  
 G3210AE000 .....CF-2 .....RA-38  
 G3210FE100 .....CF-4 .....RA-36

## SUZUKI

9586082Z00 .....CF-10 .....RA-39  
 9586085Z00 .....CF-83 .....RA-35  
 9586086Z00 .....CF-98 .....RA-55  
 9586154J00 .....CF-118 .....RA-66  
 9586164J00 .....CF-141 .....RA-104  
 9586165D000 .....CF-27 .....GA-6

## TOYOTA

8713902090 .....CF-80 .....RA-31  
 8713906030 .....CF-44 .....RA-3  
 8713907010 .....CF-80 .....RA-31  
 8713908030 .....CF-49 .....RA-8  
 8713928010 .....CF-44 .....RA-3  
 8713930010 .....CF-45 .....RA-4  
 8713930040 .....CF-80 .....RA-31  
 8713930070 .....CF-80 .....RA-31  
 8713932010 .....CF-44 .....RA-3  
 8713933010 .....CF-44 .....RA-3  
 8713947010 .....CF-49 .....RA-8  
 8713948020 .....CF-48 .....RA-7  
 8713950030 .....CF-50 .....RA-10  
 8713952020 .....CF-80 .....RA-31  
 8856802020 .....CF-46 .....RA-5  
 8856852010 .....CF-47 .....RA-6  
 8856860010 .....CF-107 .....RA-61  
 8888030040 .....CF-187 .....RA-116  
 8888033020 .....CF-43 .....RA-2  
 871394701083 .....CF-49 .....RA-8  
 871394802083 .....CF-48 .....RA-7  
 885685201083 .....CF-47 .....RA-6  
 72880AG00A .....CF-49 .....RA-8  
 72880AJ00A .....CF-80 .....RA-31  
 87139YZZ01 .....CF-50 .....RA-10  
 87139YZZ02 .....CF-51 .....RA-11  
 87139YZZ03 .....CF-44 .....RA-3  
 87139YZZ05 .....CF-44 .....RA-3  
 87139YZZ08 .....CF-80 .....RA-31  
 87139YZZ09 .....CF-31 .....GA-10

## VOLKSWAGEN

191819640 .....CF-121 .....VA-9  
 95557221910 .....CF-103 .....VA-6  
 1J0819644 .....CF-72 .....VA-1  
 3A0819644 .....CF-97 .....VA-4  
 4B0819439A .....CF-74 .....VA-3  
 4D0819439 .....CF-96 .....VA-5  
 8A0819400A .....CF-106 .....VA-7  
 8A0819439A .....CF-73 .....VA-2

## VOLVO

1343232 .....CF-42 .....RA-1  
 3948712 .....CF-208 .....WA-6  
 4771477 .....CF-204 ..... —  
 8687389 .....CF-82 .....RA-34  
 9171296 .....CF-42 .....RA-1  
 9171756 .....CF-42 .....RA-13  
 9204626 .....CF-53 ..... —  
 30612666 .....CF-81 .....RA-33  
 30630754 .....CF-81 .....RA-13  
 30780376 .....CF-82 .....RA-34  
 92046260 .....CF-82 .....RA-13  
 307803770 .....CF-147 ..... —

## CROSS REFERENCE: PREMIUM LINE TO VALUE LINE

ATP PREMIUM LINE	ATP VALUE LINE	ATP PREMIUM LINE	ATP VALUE LINE	ATP PREMIUM LINE	ATP VALUE LINE
FA-1	CF-11	RA-21	CF-61	RA-97	CF-173
FA-2	CF-12	RA-22	CF-62	RA-98	CF-175
FA-3	CF-13	RA-23	CF-63	RA-99	CF-192
FA-4	CF-14	RA-24	CF-64	RA-100	CF-193
FA-5	CF-15	RA-25	CF-65	RA-101	CF-194
FA-6	CF-16	RA-26	CF-66	RA-102	CF-212
FA-7	CF-17	RA-27	CF-67	RA-103	CF-213
FA-8	CF-18	RA-28	CF-68	RA-104	CF-141
FA-9	CF-19	RA-29	CF-69	RA-105	CF-215
FA-10	CF-20	RA-30	CF-7	RA-106	CF-216
FA-11	CF-21	RA-31	CF-80	RA-108	CF-137
FA-12	CF-5	RA-33	CF-81	RA-110	CF-139
FA-13	CF-76	RA-34	CF-82	RA-113	CF-144
FA-14	CF-126	RA-35	CF-83	RA-116	CF-187
FA-15	CF-174	RA-36	CF-4	RA-120	CF-191
FA-17	CF-217	RA-37	CF-84	RA-125	CF-218
FA-18	CF-221	RA-38	CF-2	RA-126	CF-219
GA-1	CF-22	RA-39	CF-10	RA-127	CF-220
GA-3	CF-24	RA-40	CF-85	RA-128	CF-222
GA-4	CF-25	RA-41	CF-6	RA-129	CF-223
GA-5	CF-26	RA-42	CF-9	RA-130	CF-224
GA-6	CF-27	RA-43	CF-86	RA-131	CF-225
GA-7	CF-28	RA-44	CF-87	RA-132	CF-226
GA-8	CF-29	RA-45	CF-88	RA-133	CF-227
GA-9	CF-30	RA-46	CF-89	RA-134	CF-228
GA-10	CF-31	RA-47	CF-90	RA-135	CF-229
GA-11	CF-32	RA-48	CF-3	RA-136	CF-230
GA-12	CF-33	RA-49	CF-91	TA-1	CF-70
GA-13	CF-34	RA-50	CF-92	TA-2	CF-71
GA-14	CF-35	RA-51	CF-93	TA-3	CF-1
GA-15	CF-77	RA-52	CF-94	TA-4	CF-75
GA-16	CF-132	RA-53	CF-95	TA-5	CF-125
GA-17	CF-203	RA-55	CF-98	TA-6	CF-130
GA-18	CF-135	RA-56	CF-100	TA-7	CF-171
GA-19	CF-156	RA-57	CF-101	TA-8	CF-134
HA-1	CF-36	RA-58	CF-102	TA-9	CF-143
HA-2	CF-37	RA-59	CF-104	VA-1	CF-72
HA-3	CF-38	RA-60	CF-105	VA-2	CF-73
HA-4	CF-39	RA-61	CF-107	VA-3	CF-74
HA-5	CF-40	RA-62	CF-109	VA-4	CF-97
HA-6	CF-41	RA-63	CF-110	VA-5	CF-96
HA-7	CF-78	RA-64	CF-112	VA-6	CF-103
HA-8	CF-79	RA-65	CF-120	VA-7	CF-106
HA-9	CF-99	RA-66	CF-118	VA-8	CF-108
HA-10	CF-111	RA-67	CF-119	VA-9	CF-121
HA-11	CF-209	RA-71	CF-127	VA-10	CF-234
HA-12	CF-145	RA-72	CF-128	VA-11	CF-157
RA-1	CF-42	RA-74	CF-131	VA-12	CF-201
RA-2	CF-43	RA-75	CF-133	VA-13	CF-210
RA-3	CF-44	RA-76	CF-140	WA-2	CF-114
RA-4	CF-45	RA-78	CF-231	WA-5	CF-117
RA-5	CF-46	RA-79	CF-232	WA-6	CF-208
RA-6	CF-47	RA-81	CF-235	WA-7	CF-206
RA-7	CF-48	RA-82	CF-233	WA-13	CF-146
RA-8	CF-49	RA-85	CF-160	WA-14	CF-148
RA-9	CF-8	RA-86	CF-161	WA-22	CF-176
RA-10	CF-50	RA-87	CF-162	WA-23	CF-177
RA-11	CF-51	RA-88	CF-163	WA-25	CF-179
RA-12	CF-52	RA-89	CF-164		
RA-14	CF-54	RA-90	CF-165		
RA-15	CF-55	RA-91	CF-166		
RA-16	CF-56	RA-92	CF-167		
RA-17	CF-57	RA-93	CF-168		
RA-18	CF-58	RA-94	CF-169		
RA-19	CF-59	RA-95	CF-170		
RA-20	CF-60	RA-96	CF-172		







**MAKE MORE \$\$\$!** **Now You Can Promote The 2 "Forgotten" Filter Services**

**PLUS... Your Customers Receive \$10<sup>00</sup> In GAS MONEY from ATP-Inc.!**

**Perform These 2 Services and Your Customer Qualifies for \$10<sup>00</sup> IN GAS MONEY From ATP-Inc.:**



- 1. Transmission Filter Kit Service Recommended Every 25,000 Miles**
- 2. Interior Ventilation Filter Service Recommended Every 12 Months or Every 12,000 Miles** *(If vehicle does not have an Interior Ventilation Filter, sell a ZEO•TRAP™ to qualify.)*



**No. A-241 Filter Marketing Kit Contains:**

- (5) Transmission Filter Kits
- (5) Interior Ventilation Filters
- (2) ZEO•TRAP™ Odor/Moisture Control Pouches



**These Merchandising Items are FREE of Charge! You pay for only the filters.**

- (2) Full Color Transmission Filter Service Posters
- (1) Full Color Interior Ventilation Filter Poster
- (1) Clean/Dirty Interior Ventilation Filter Counter Display
- (25) Interior Ventilation Filter Reminder Stickers
- (50) Full Color Handouts w/Holder, explaining the importance of these services.
- (50) ATP-Inc. \$10<sup>00</sup> Consumer Gas Rebate Coupons





# THE 3-WAY *Interior Clean Air System*

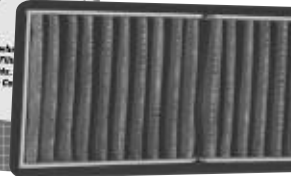
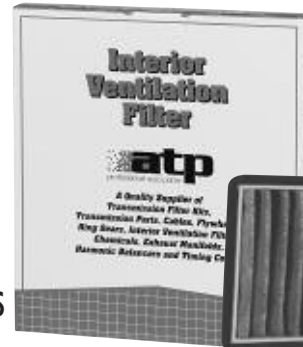
## Interior Ventilation Filters

Only ATP Gives You A Choice!



**PREMIUM** Filters — 150 Part Numbers

- Activated Carbon Coating REMOVES ODORS
- Filter Media Captures Particles, Pollen, Dust, etc.



**VALUE** Filters — 194 Part Numbers

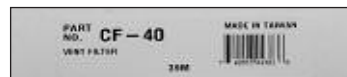
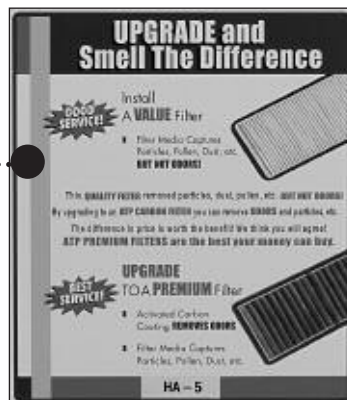
- Filter Media Captures Particles, Pollen, Dust, etc. BUT NOT ODORS!

- **Value Line** — Lower Cost Alternative
- **Up Sell** — From the Value Line to the Premium Line
  - Better for Consumer
  - Higher Ticket (more profit \$)
  - \$5.00 Rebate to the Consumer
- **Value Line Box Upgrade Label** .....
- **A-511 Start Up Package** — DOMESTIC/IMPORT COVERAGE

**No. A-511 Contains These Premium Filters:**  
 (1) FA-5 (1) GA-1 (1) GA-3 (1) GA-4 (1) HA-5 (1) RA-3

**These Merchandising Items are FREE of Charge!**  
 You pay for only the filters.

- (1) Clean/Dirty Filter Counter Display
- (2) Full Color 18" x 26" Posters
- (50) Full Color Handouts with Holder
- (50) \$5.00 Rebate Coupons
- (25) Reminder Stickers indicating when filter should be serviced next and which ATP filter to use.



Front Panel



Clean/Dirty Filter Counter Display



Filter Poster and Filters



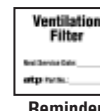
Premium Filter Poster



Consumer Handout



Premium Filter \$5.00 Consumer Rebate Coupon



Reminder Sticker

Reminder Stickers indicating when filter should be serviced next and which ATP filter to use. Reorder ATP Part No. A-209.

## Servicing Imports Only?

### • A-512 Start Up Package — IMPORTS ONLY

#### No. A-512 Contains These Premium Filters:

(1) HA-1 (1) HA-4 (1) HA-5 (1) RA-3 (1) RA-5 (1) RA-7

These Merchandising Items are **FREE of Charge!** You pay for only the filters.

- |  |      |   |
|--|------|---|
| (1) Clean/Dirty Filter Counter Display | (50) | \$5.00 Rebate Coupons   |
| (2) Full Color 18" x 26" Posters       | (25) | Reminder Stickers indicating when filter should be serviced next and which ATP filter to use. |
| (50) Full Color Handouts with Holder   |      |   |

## Already stocking and selling ventilation filters? Purchase a A-507 Display Package

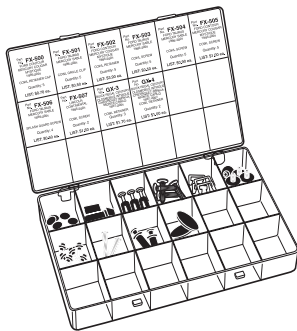


### No. A-507 Contains:

(1) TA-1 2001-2007 Grand Voyager/Town & Country/Caravan/Grand Caravan/Voyager

**You only pay for the TA-1, get the Clean/Dirty Filter Counter Display for FREE!** Let the Counter Display help you sell a ventilation filter service. The display points out what the ventilation filter does and when and why it needs to be replaced. As an incentive to say "YES" to the ventilation filter service, **\$5.00 Consumer Rebate Coupons** are affixed to the bottom of the display.

## Convenience Assortment Part No. A-700



Part No.	Qty	Description	Application
FX-500	5	Cowl Retainer Cap	1995-02 Ford Contour, Mercury Cougar, Mercury Mystique
FX-501	6	Cowl Grille Clip	1996-07 Ford Taurus, Mercury Sable
FX-502	5	Cowl Retainer	1995-02 Ford Contour, Mercury Cougar, Mercury Mystique
FX-503	6	Cowl Screw	1995-07 Ford Taurus, Mercury Sable
FX-504	6	Cowl Retainer	1996-07 Ford Taurus, Mercury Sable
FX-505	5	Cowl Screw	1995-02 Ford Contour, Mercury Cougar, Mercury Mystique
FX-506	4	Splash Guard Screw	1996-07 Ford Taurus, Mercury Sable
FX-507	2	Cowl Screw	1995-02 Lincoln Continental
FX-508 Available Separately		Cowl Retainer	2000-06 Lincoln LS, Ford Thunderbird
GX-3	3	Cowl Retainer	1997-11 Buick Regal/Century, LaCrosse/Allure, Chevrolet Impala, Monte Carlo, Oldsmobile Intrigue, Pontiac Grand Prix
GX-4	2	Cowl Retainer	1997-11 Buick Regal/Century, LaCrosse/Allure, Chevrolet Impala, Monte Carlo, Oldsmobile Intrigue, Pontiac Grand Prix
GX-5 Available Separately		Cowl Retainer	2002-08 Saturn VUE

### No. GX-5 Cowl Retainer Pin

**2002-07 Saturn VUE, 2005-08 Chevrolet Equinox,  
2006-08 Pontiac Torrent**



### No. FX-508 Cowl Retainer

**2000-06 Lincoln LS, 2002-05 Ford Thunderbird**



**It's  
GREEN!**

**ALL NATURAL!**

**ZEO-TRAP™**  
by **atp**

**ODOR AND MOISTURE CONTROL**

# The 'Ultimate' GREEN Product

● **RENEWABLE...**

**The LAST ODOR ELIMINATOR YOU WILL EVER NEED!** Zeolite can be **regenerated** by placing the pouch in the sun. Every 9-10 months, place the pouch in direct sunlight for 8 hours.

**Zeolite Eliminates** — smoking, food, diaper, sweat, pet, vinyl and plastic out-gassing (new car smell) odors.

● **ALL NATURAL...**

**ATP's NEW & IMPROVED Zeo-Trap is manufactured from the finest Zeolite deposits in the world.** Zeolite is a mineral formed from microporous volcanic ash. The negatively ionic charged zeolite attracts the positively charged odor particles. Zeolite ADSORBS (an electrical process) the odors. Zeolite also ABSORBS (a mechanical process) moisture. Zeolite **TRAPS** the odor molecules. **ATP's NEW & IMPROVED Zeo-Trap has a higher absorption rate than ever before.**

● **ECO-SAFE...**

**Zeolite is Non-Toxic** — will **not cause allergic reaction** or sensitivities to perfumes or chemical additives. Zeolite is EPA approved to be disposed with normal household waste. However, in some jurisdictions local rules may apply.

● **Place Under the Seat or in the Trunk** — wherever odors exist.



**Zeo-Trap ATP Part No. ZE-1**

Includes: One — 2 lb. **NEW Tyvek® Pouch** Which Eliminates 'Dusting' & Is Enclosed In The **NEW Sealed, Full-Color Consumer Packaging** Which Ensures The Pouch Will Remain Moisture & Odor Free Until Opened!



**Zeo-Trap Counter Display**

**ATP Part No. A-508**

Includes: One Counter Display, Six — 2 lb. **NEW Tyvek® Pouch** Which Eliminates 'Dusting' & Is Enclosed In The **NEW Sealed, Full-Color Consumer Packaging** Which Ensures The Pouch Will Remain Moisture & Odor Free Until Opened!

**The Value Is In The Brand!**

**atp**

professional auto parts®

**Distributed by:**